

REV.	MCO	DWN	DATE
AR	40018756MCO	EAAE	05-JAN-15
AT	8000018631	OAVL	29-DEC-16

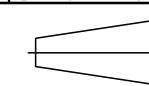
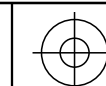
	PRODUCT NUMBER	ADAPTER TYPE
4	MSBFCM-690000-A	MMSC
	SBFCM-640000-A	SMST
	FCM-620000-A	FC
	FCM-640000-A	SMST
	FCM-670000-A	SC
5	FCM-STORAGE-A	NONE
	MFCM-TP0000-A	MMLC
6	FCM-620000-AVCG	SMFC
6	FCM-640000-AVCG	SMST
6	FCM-670000-AVCG	SMSC
	FCM-TK0000-A	SMLC
	MSBFCM-6T0000-A	MMSC AQUA
	FCM-64000-A-ATT	SMST
	FCM-67000-A-ATT	SMSC

**NOTES:**

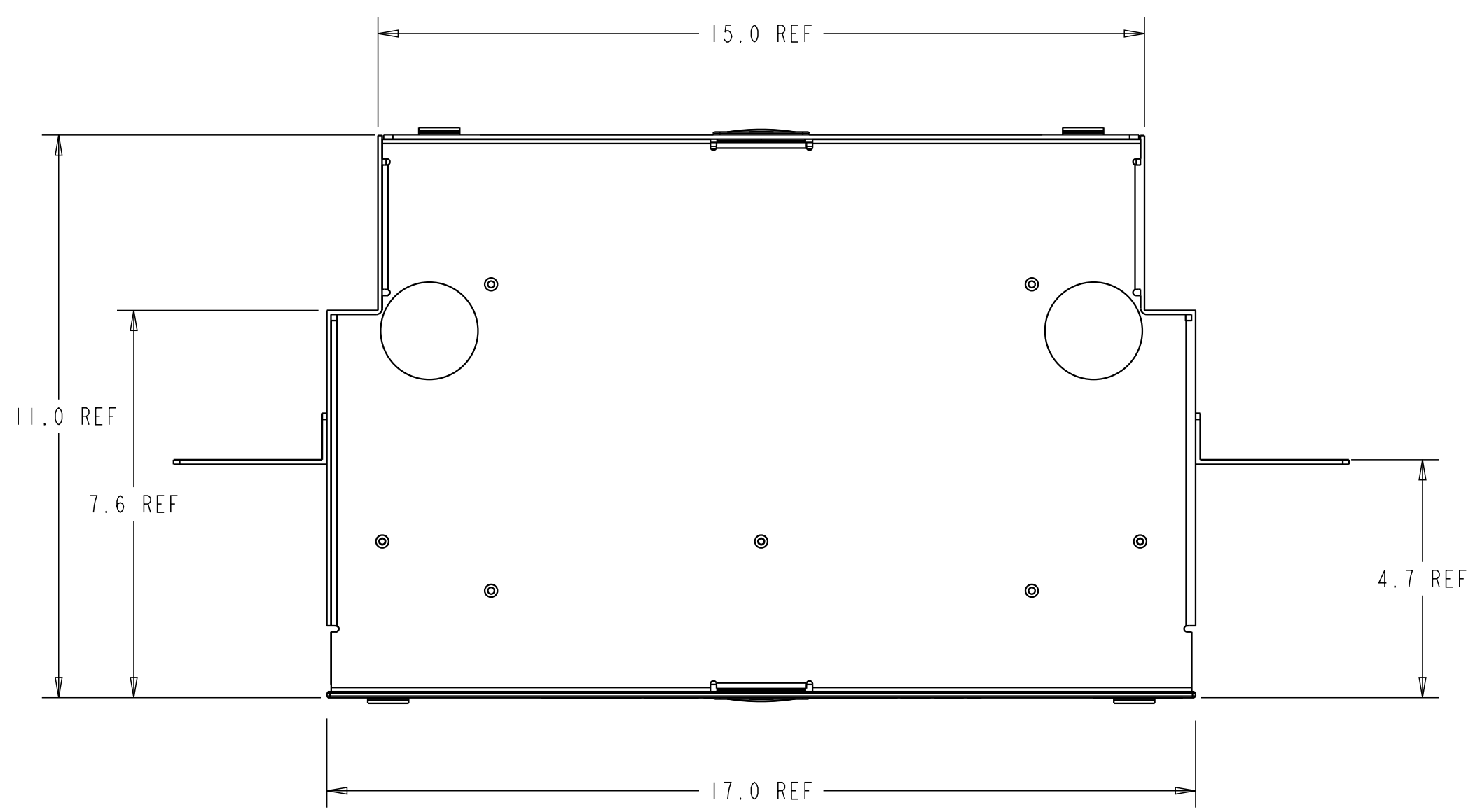
1. ADAPTERS/RETAINERS NOT SHOWN, SEE TAB BLOCK FOR ADAPTER/RETAINER TYPES.
2. MOUNTING HARDWARE IS INCLUDED WITH UNIT.
- 3 UNIVERSAL MOUNTING BRACKETS ARE INCLUDED FOR A 19" OR 23" RACK MOUNT (UNIT IS SHIPPED WITH THE BRACKETS IN THE 23" POSITION UNLESS OTHERWISE NOTED).
- 4 MOUNTING BRACKET TO BE INSTALLED IN 19" RACK MOUNTING POSITION.
- 5 EMPTY MODULE USED FOR STORAGE.
- 6 23" VERTICAL CABLE GUIDES INCLUDED.

COMMSCOPE, INC.

<small>© 2016 COMMSCOPE, INC. CONFIDENTIAL          NOTICE: THESE DRAWINGS AND SPECIFICATIONS ARE THE PROPRIETARY PROPERTY OF COMMSCOPE, INC. AND MAY BE USED ONLY FOR THE SPECIFIC PURPOSE AUTHORIZED IN WRITING BY COMMSCOPE, INC.</small>		TITLE CONN MOD, 7", 72 POS INSTALLATION DRAWING	
<small>ALL DIMS AND TOLERANCES ARE INCHES UNLESS OTHERWISE SPECIFIED</small>	<small>.XX:±N/A .XXX:±N/A ANGULAR:±N/A</small>	C SIZE DRAWING NUMBER 4-26860-5111	AT REV
DO NOT SCALE DRAWING		ENGR: T. WHEELER DWN: T. HAATAJA	SHT. 1 OF 2

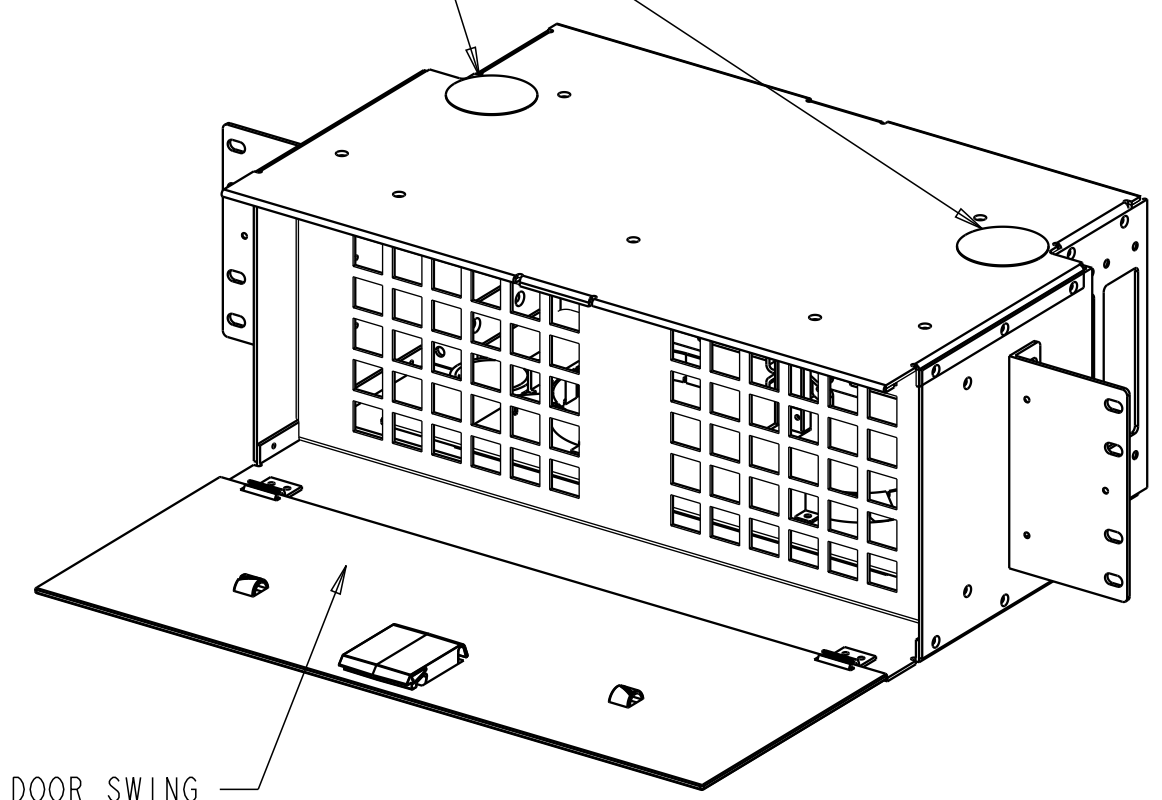


**DIMENSIONS IN INCHES  
THIRD ANGLE PROJECTION**



72 POSITION MODULE SHOWN FOR REFERENCE

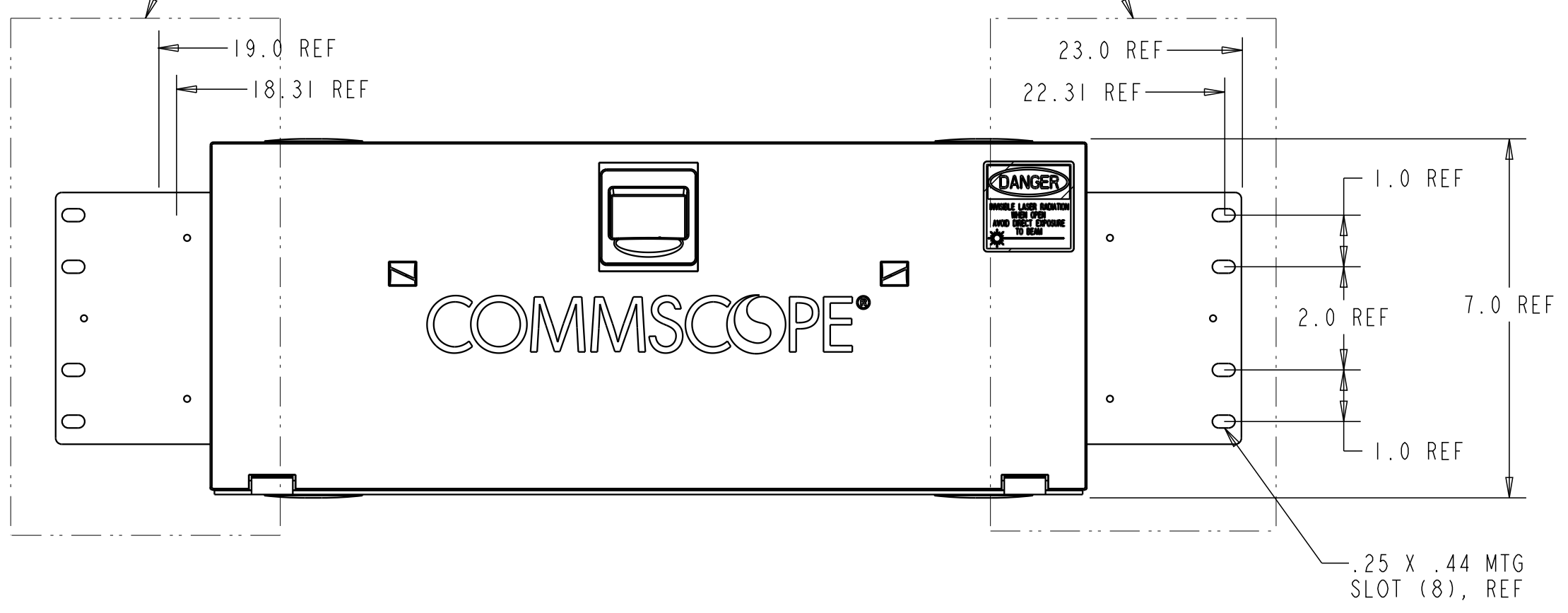
INTER-MODULE PIGTAIL ROUTING HOLE, TYPICAL TOP AND BOTTOM



FRONT AND REAR DOOR SWING OPEN 180° AND ARE REMOVABLE. CIRCUIT DESIGNATION CARD (NOT SHOWN) IS ATTACHED TO INSIDE OF FRONT DOOR, REF

MOUNTING BRACKET SHOWN IN OPTIONAL 19" RACK MOUNTING POSITION

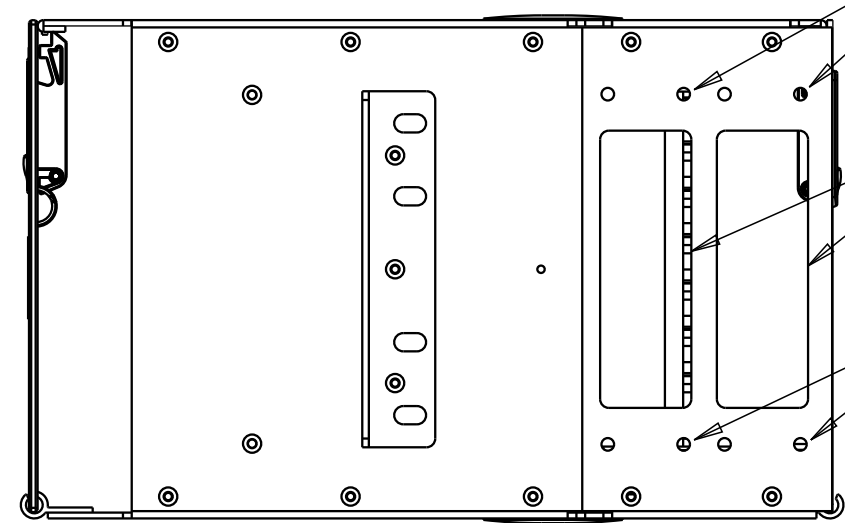
MOUNTING BRACKET SHOWN IN STANDARD 23" RACK MOUNTING POSITION



CABLE CLAMP MOUNTING POSITION, TYPICAL BOTH SIDES, REF

CABLE ENTRANCE HOLE, TYPICAL BOTH SIDES, REF

CABLE CLAMP MOUNTING POSITION, TYPICAL BOTH SIDES, REF



COMMSCOPE, INC.

© 2016 COMMSCOPE, INC. CONFIDENTIAL  
NOTICE: THESE DRAWINGS AND SPECIFICATIONS ARE THE PROPRIETARY PROPERTY OF COMMSCOPE, INC. AND MAY BE USED ONLY FOR THE SPECIFIC PURPOSE AUTHORIZED IN WRITING BY COMMSCOPE, INC.

TITLE  
CONN MOD, 7", 72 POS  
INSTALLATION DRAWING

ALL DIMS AND TOLERANCES ARE INCHES UNLESS OTHERWISE SPECIFIED

DRAWING NUMBER  
4-26860-5111

DO NOT SCALE DRAWING

ENGR: T. WHEELER  
DWN: T. HAATAJA

SHT. 2 OF 2

DIMENSIONS IN INCHES  
THIRD ANGLE PROJECTION