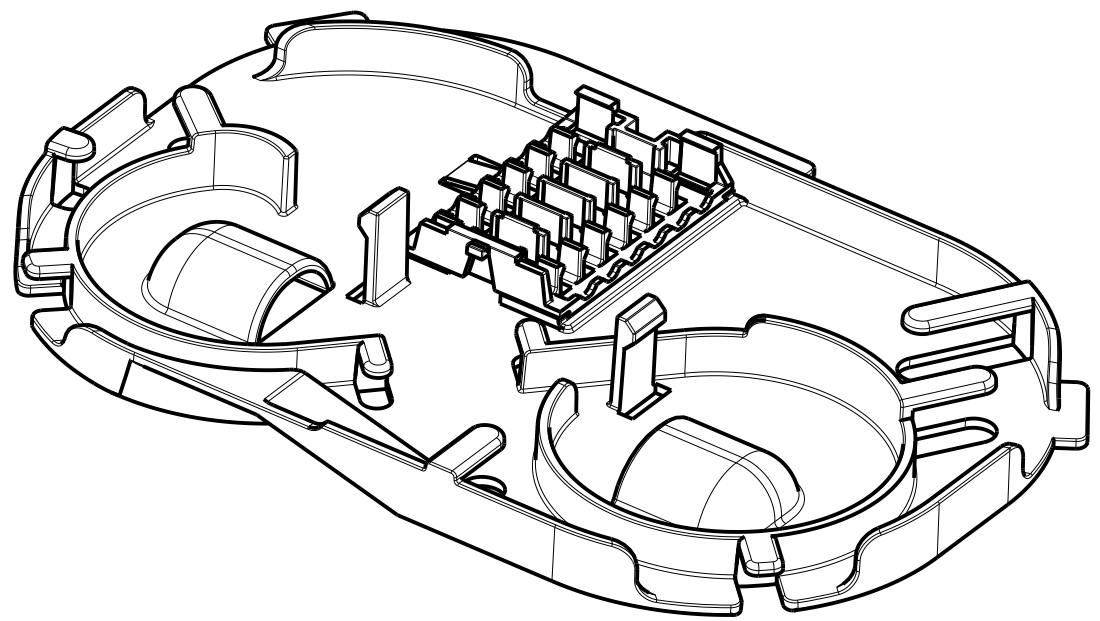
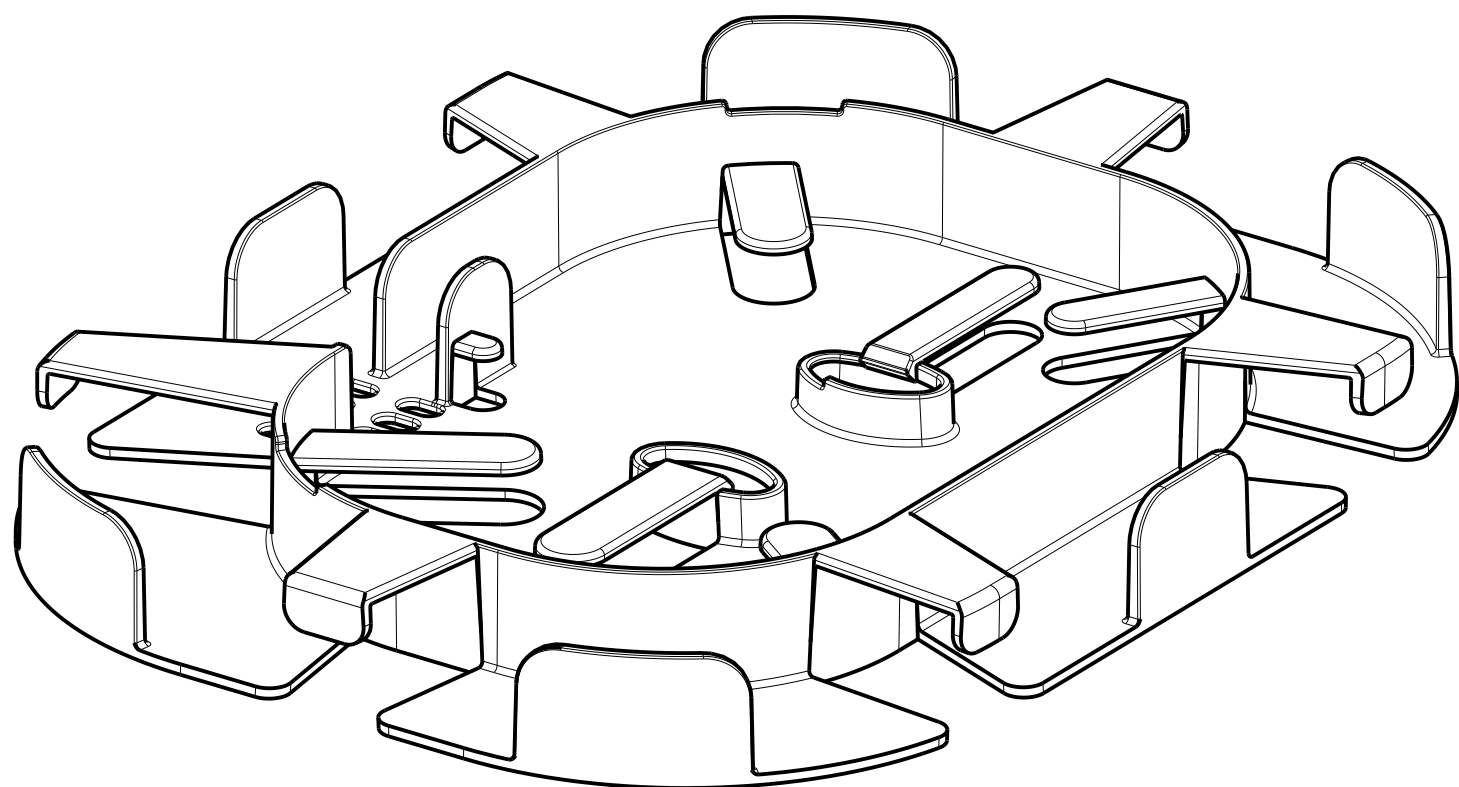
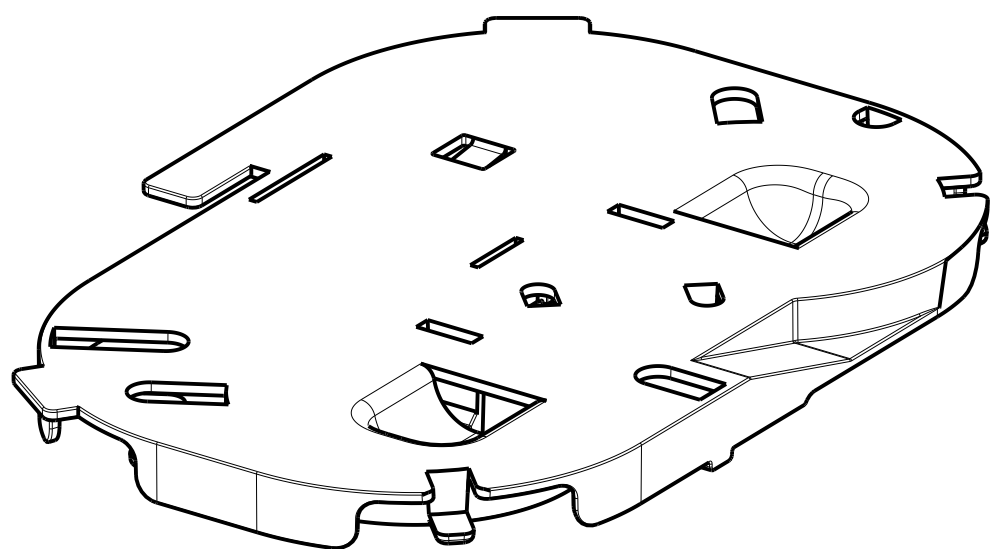
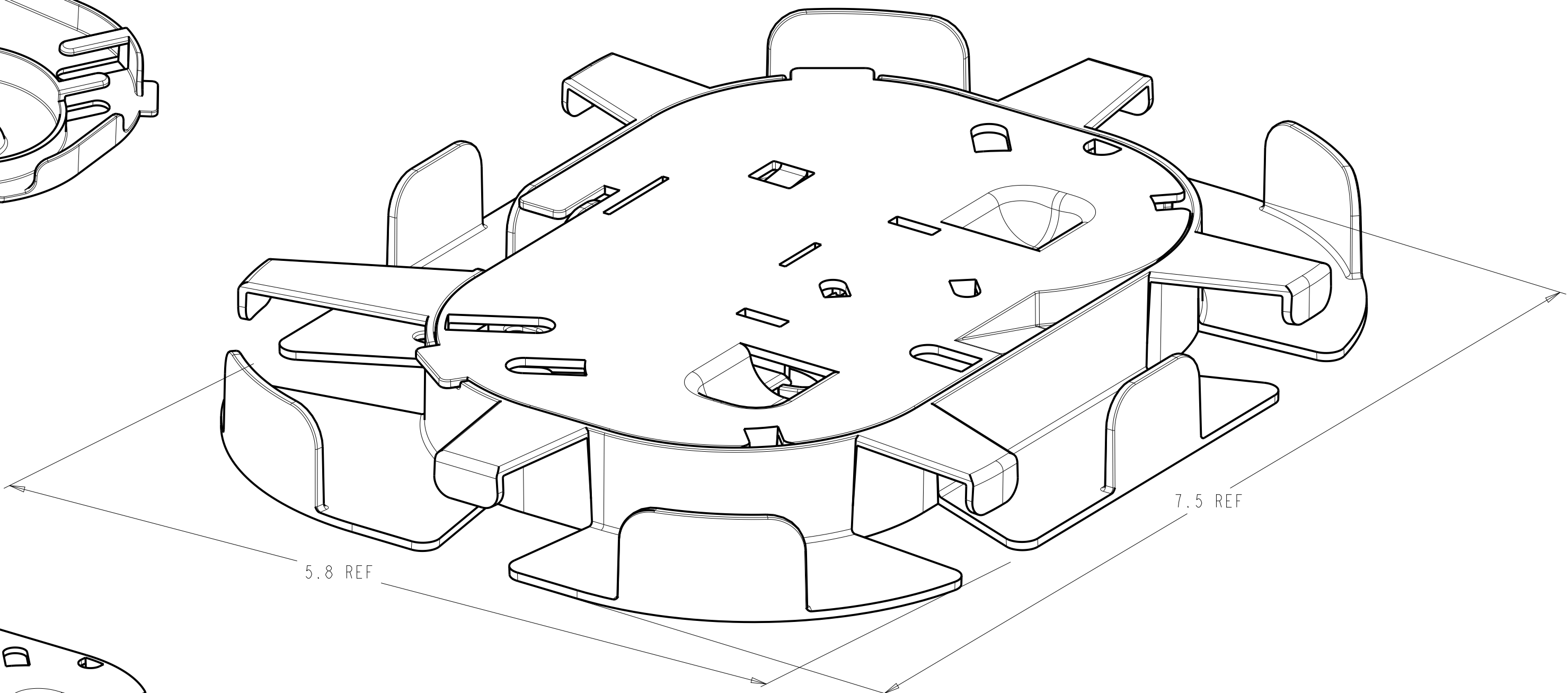


REV	MCO	DWN	DATE
B	20343211	JCA	16-JUL-13
C	8000019180	SC	18-JAN-17



MASS FUSION SPLICE CHIP
PRE-ASSEMBLED.



NOTE:

1. REFER TO SPLICE CHASSIS MANUAL TECP-90-704 FOR WIRING INSTRUCTIONS

CATALOG #: NG4-ACCWHMFS

COMMSCOPE, INC.

<small>© 2016 COMMSCOPE, INC. CONFIDENTIAL NOTICE: THESE DRAWINGS AND SPECIFICATIONS ARE THE PROPRIETARY PROPERTY OF COMMSCOPE, INC. AND MAY BE USED ONLY FOR THE SPECIFIC PURPOSE AUTHORIZED IN WRITING BY COMMSCOPE, INC.</small>		TITLE MASS FUSION, NG4 SPL INSTALLATION DRAWING	
<small>ALL DIMS AND TOLERANCES .XX:±N/A ARE INCHES UNLESS .XXX:±N/A OTHERWISE SPECIFIED ANGULAR:±N/A</small>		C SIZE 300001763454	C REV
DO NOT SCALE DRAWING		ENGR: SCOTT SIEVERS DWN: P. RUDENICK	SHT. 1 OF 1

DIMENSIONS IN INCHES
 THIRD ANGLE PROJECTION