

# ENTERPRISE NETWORKS CABLE ASSEMBLY CATALOG SCHEME

REV.	MCO	DWN	DATE
D	40029043MCO	HG	04-APR-16
E	8000019858	OAVL	08-FEB-17

PERFORMANCE RATING		PLUG TYPE		MEDIA TYPE		FLAME RATING/ CONDUCTOR		WIRING SCHEME		JACKET COLOR		FLAME RATING/ CONDUCTOR		LENGTHS		UNIT OF MEASURE	
5E	CATEGORY 5E	R	RJ45 PLUG TO RJ45 PLUG	U	UTP	V	CM STRANDED	A	T568A	BL	BLUE	V	0.5' 1'-25' @ 1' INCREMENTS 25'-100' @ 5' INCREMENTS	M	METER	F	FEET
6	CATEGORY 6	O	RJ45 PLUG TO OPEN	F	F/UTP	R	RISER SOLID	B	T568B	WT	WHITE	R,P	3'-25' @ 1' INCREMENTS 25'-100' @ 5' INCREMENTS 100'-300' @ 10' INCREMENTS				
6A	CATEGORY 6A	N	RJ45 TO RJ45 NO BOOT			P	PLENUM SOLID	X	CAT 6 CROSSOVER	GY	GRAY	Z	.5M-8M @ .5M INCREMENTS 8M-30M @ 1M INCREMENTS				
						Z	LSZH STRANDED	R	ROLLOVER	GN	GREEN						
								P	CAT 5E POE	YL	YELLOW						
										RD	RED						
										OR	ORANGE						
										VT	VIOLET						
										BK	BLACK						

\*PRINT ON STRANDED CORD:

LEGEND - WHITE INK ON BLACK, VIOLET AND GREEN CORDAGE. BLACK INK ON ALL OTHER COLORS.

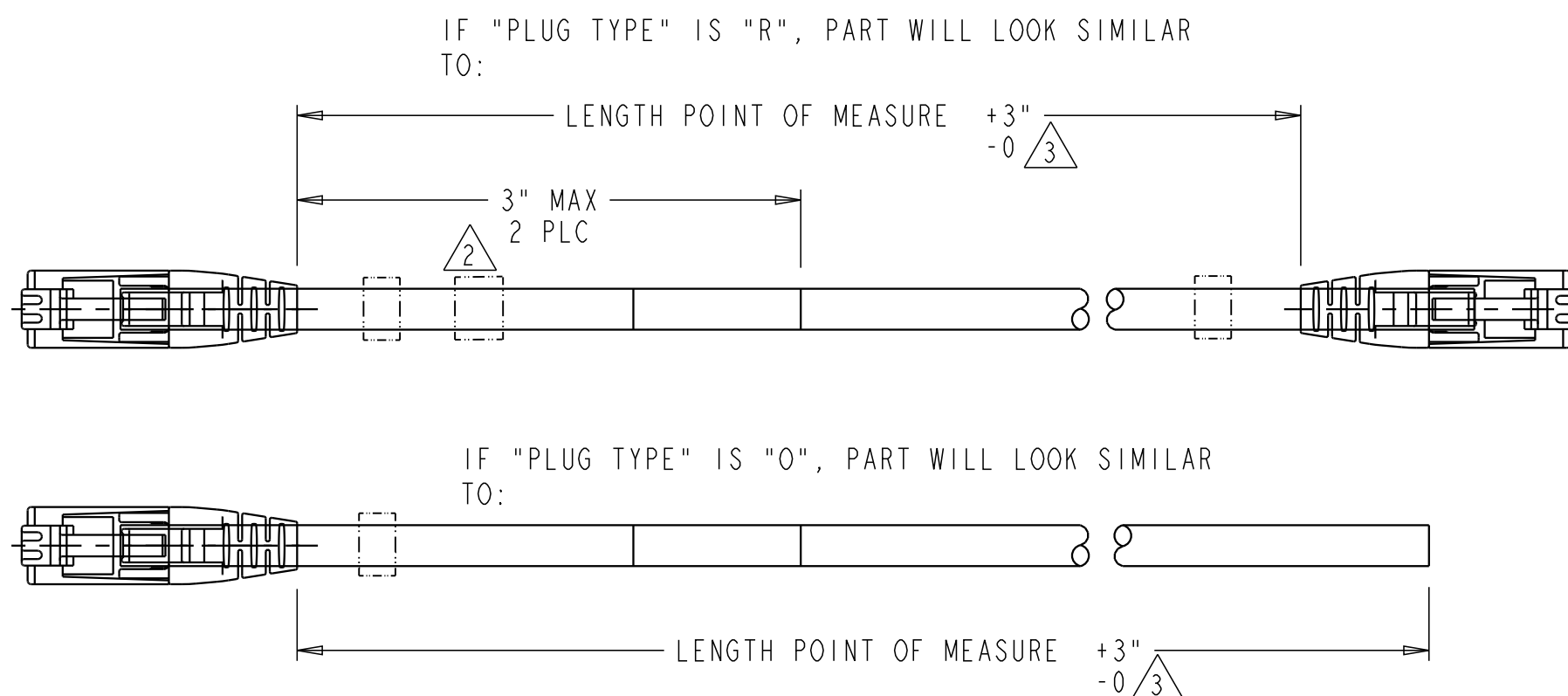
TCPC [performance] [plug type] [media type] [jacket material] [wiring scheme] [color] [length] [length ind] COMMSCOPE PATCHCORD UL LISTED COMMUNICATION CIRCUIT ACCESSORY [ ] AWG [YY/MM/DD] PAT 6153826, 6365838, 6743983 ASSEMBLED IN MEXICO.

EXAMPLE:  
TCPC-6RUVB-BL10F COMMSCOPE CATEGORY 6 PATCHCORD UL LISTED E114344 COMMUNICATION CIRCUIT ACCESSORY 24 AWG [YY/MM/DD] PAT 6153826, 6365838, 6743983 ASSEMBLED IN MEXICO.

**△** CABLE MARKING:  
THE CABLE WILL BE SUPPLIED WITH THE CURRENT MARKING:  
COMMSCOPE D UNC5 4/24 CAT5E PATCH CABLE C(ETL)US CM MADE IN USA ANATEL 1360-07-3085 / ANATEL 1958-07-2925 MYLLDSS

NOTES:

- 1** APPLIES TO Cat5e PATCH CORDS ONLY. :
- 2** LABEL (WRAP AROUND STYLE) REQUIRED FOR ASSEMBLIES SHORTER THAN 3 FT ON STRANDED CORDS. (2 ENDS)  
LABEL (WRAP AROUND STYLE) REQUIRED ON ALL SOLID CORD ASSEMBLIES. (2 ENDS)
- 3** FOR CABLES GREATER THAN 10FT LENGTH USE TOLERANCE +6"/-0.



LABEL: USE BLANK LABEL 1126854 **△**

**[CATALOG NUMBER]**  
**COMMSCOPE®**  
UL LISTED E114344  
**[CATEGORY] [AWG] AWG**  
**ASSEMBLED IN MEXICO**

LABEL: **△ 1 △ 1a △ 2**

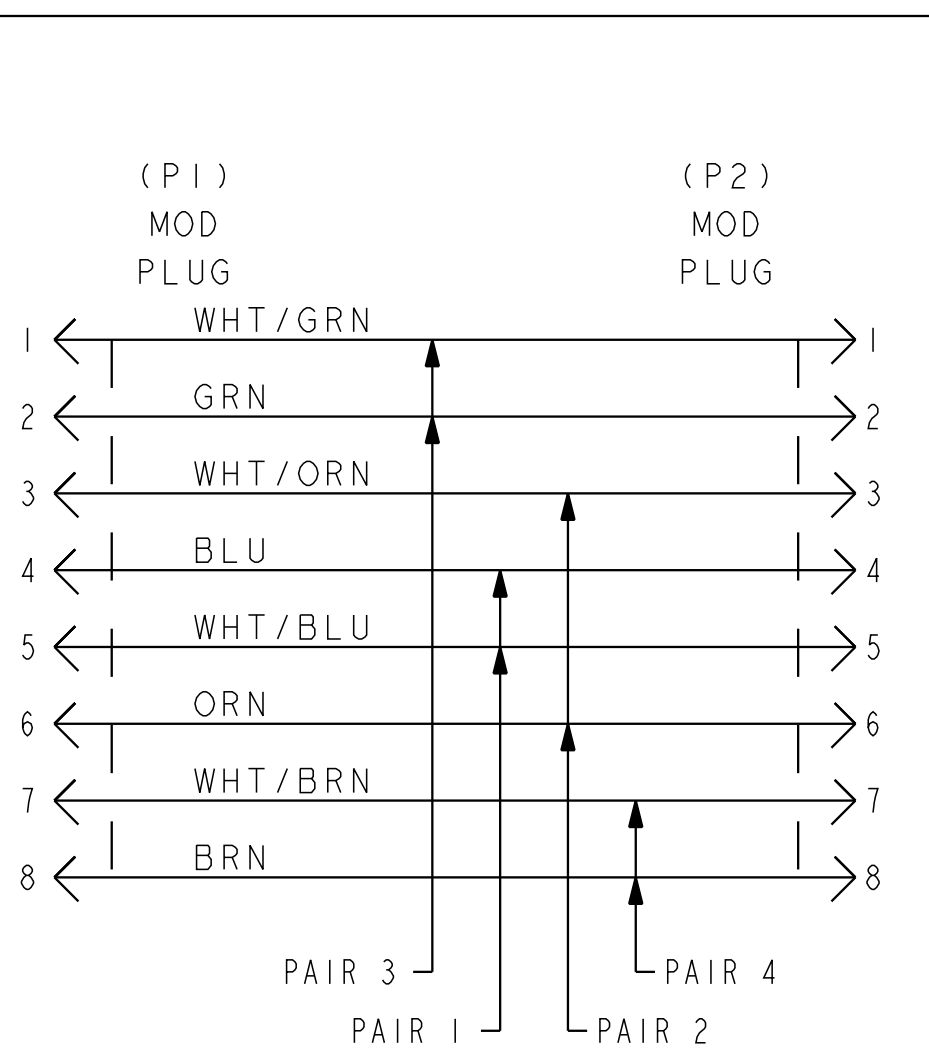
**(CATALOG NUMBER)**  
**COMMSCOPE®**  
**(CATEGORY) (AWG) AWG**  
**ASSEMBLED IN MEXICO**

Intertek  
5003367  
Conforms to UL STD 1863  
Certified to CSA STD C22.2  
No. 233 & 182.4

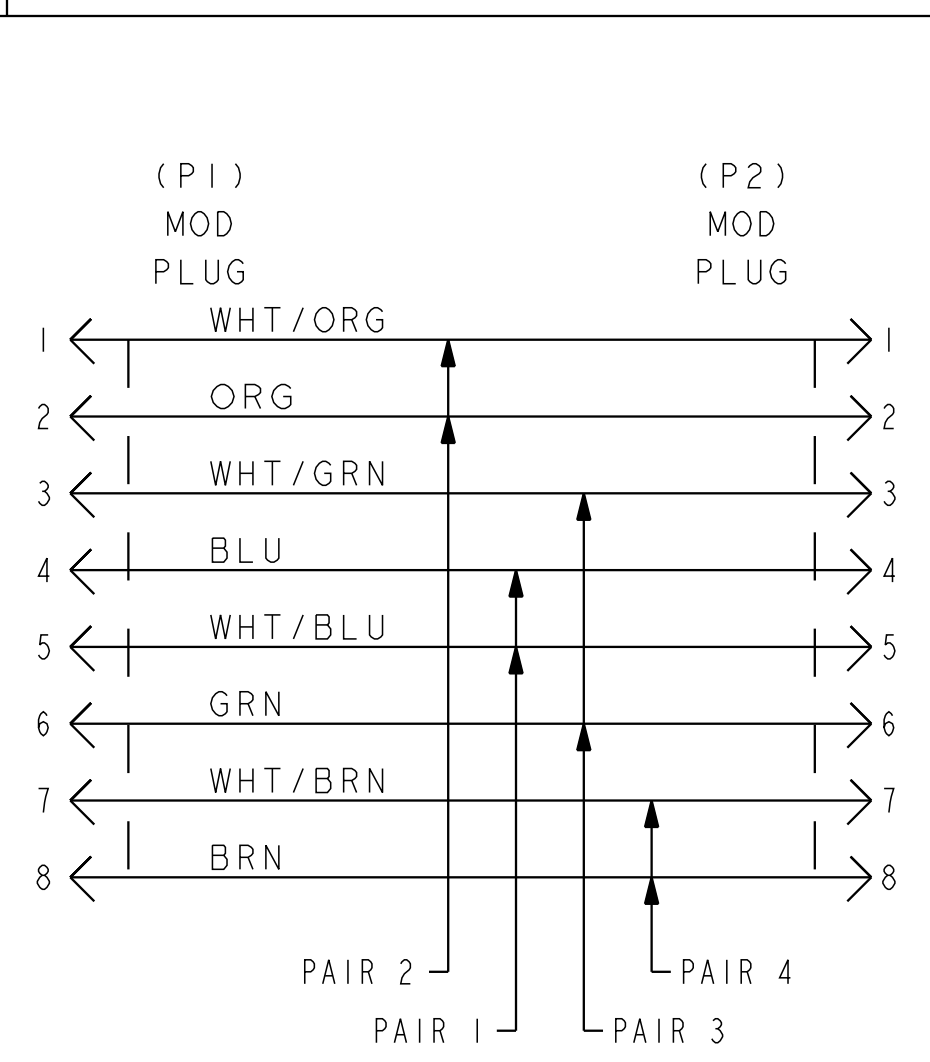
**COMMSCOPE, INC.**

© 2016 COMMSCOPE, INC. CONFIDENTIAL NOTICE: THESE DRAWINGS AND SPECIFICATIONS ARE THE PROPRIETARY PROPERTY OF COMMSCOPE, INC. AND MAY BE USED ONLY FOR THE SPECIFIC PURPOSE AUTHORIZED IN WRITING BY COMMSCOPE, INC.		TITLE CUSTOMER DRAWING REF CATALOG SCHEME FOR 5e C6 & C6A PATCH CORDS	
ALL DIMS AND TOLERANCES ARE INCHES UNLESS OTHERWISE SPECIFIED		C SIZE 300001756447-C_BAK	E REV
DO NOT SCALE DRAWING		ENGR: J. GENIAC DWN: G. GARRETT	SHT. 1 OF 2

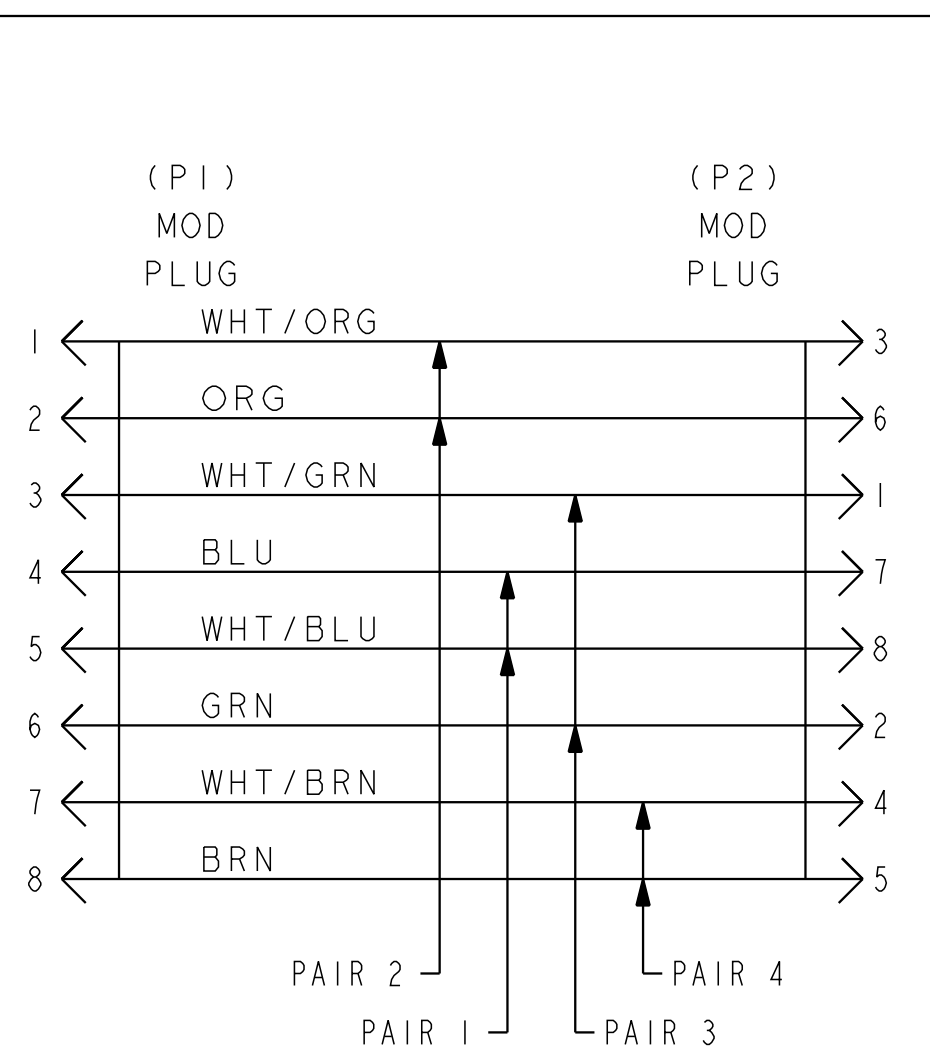
DIMENSIONS IN INCHES  
THIRD ANGLE PROJECTION



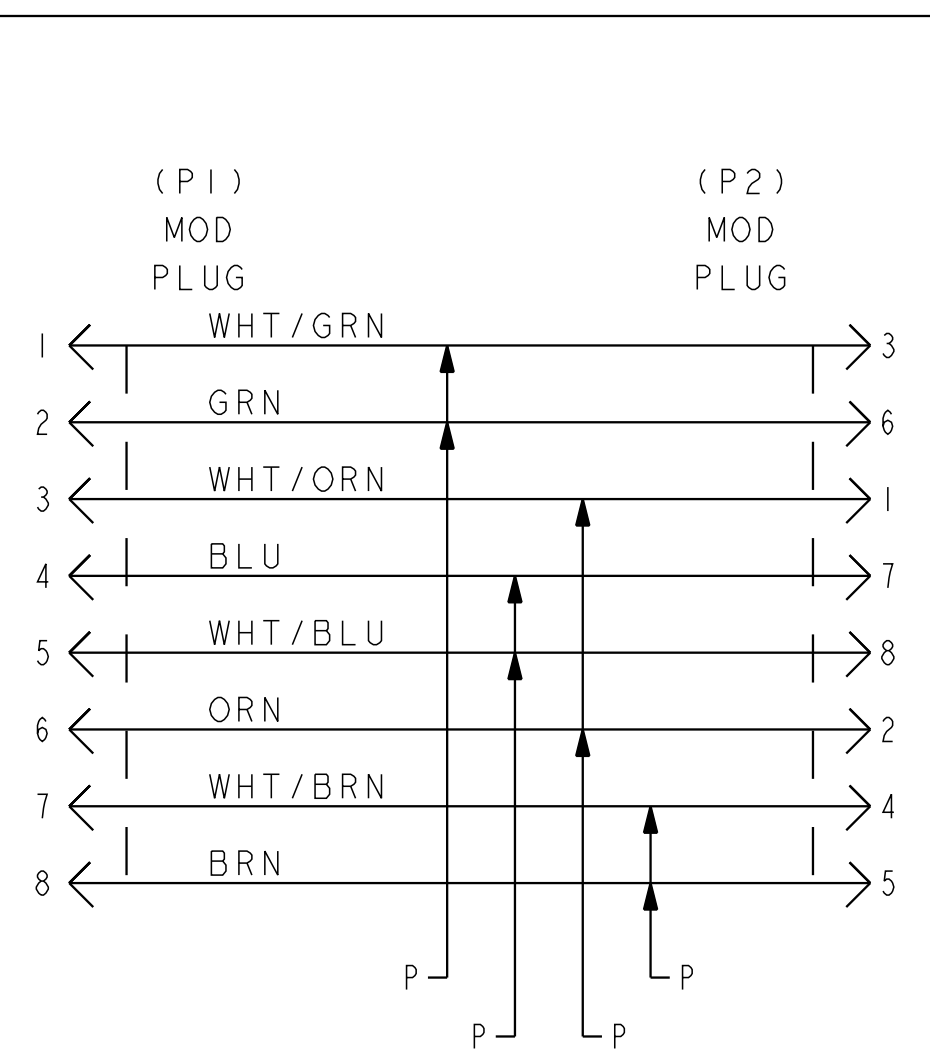
T568A WIRING DIAGRAM  
A = T568A



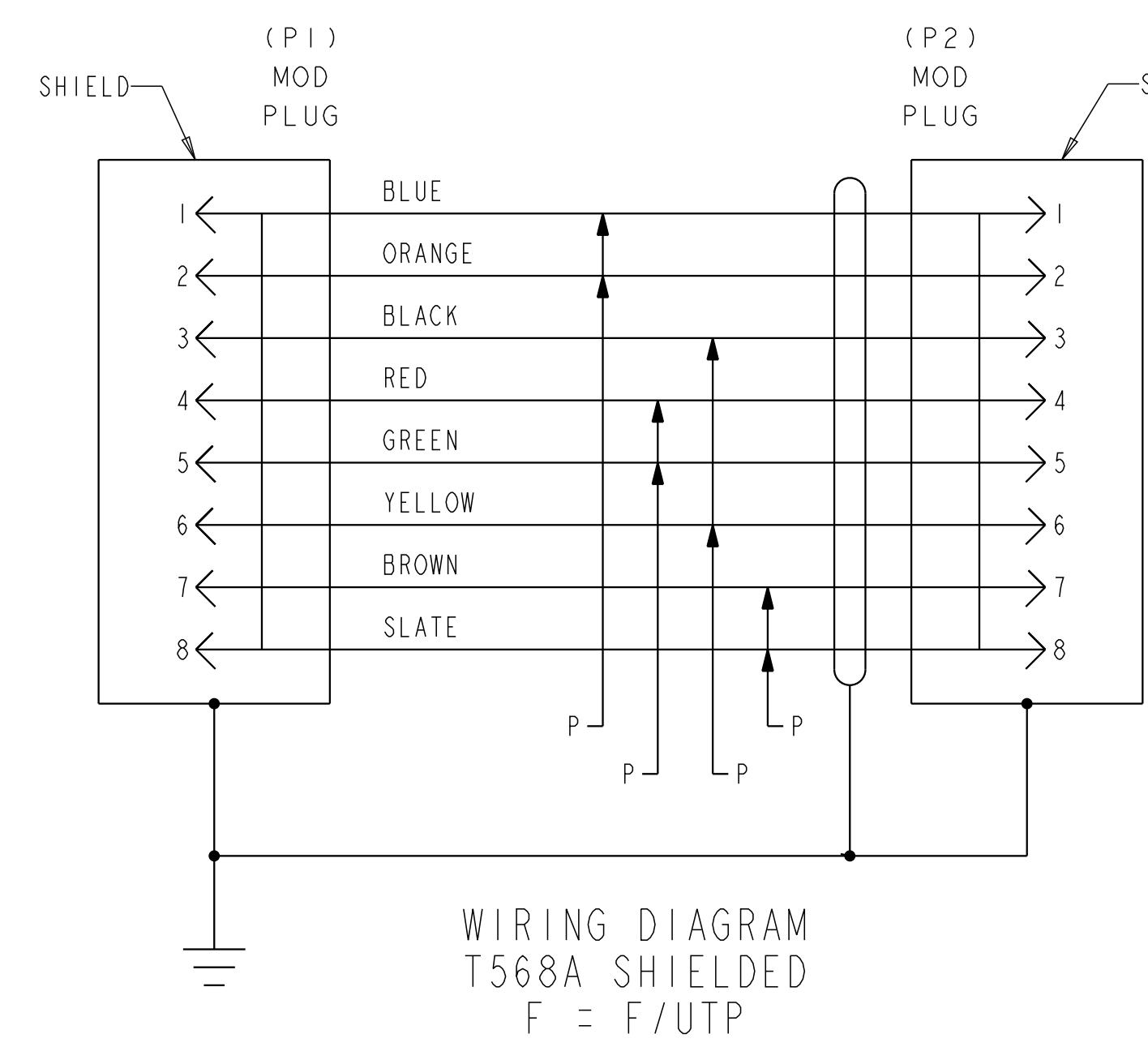
T568B WIRING DIAGRAM  
B = T568B



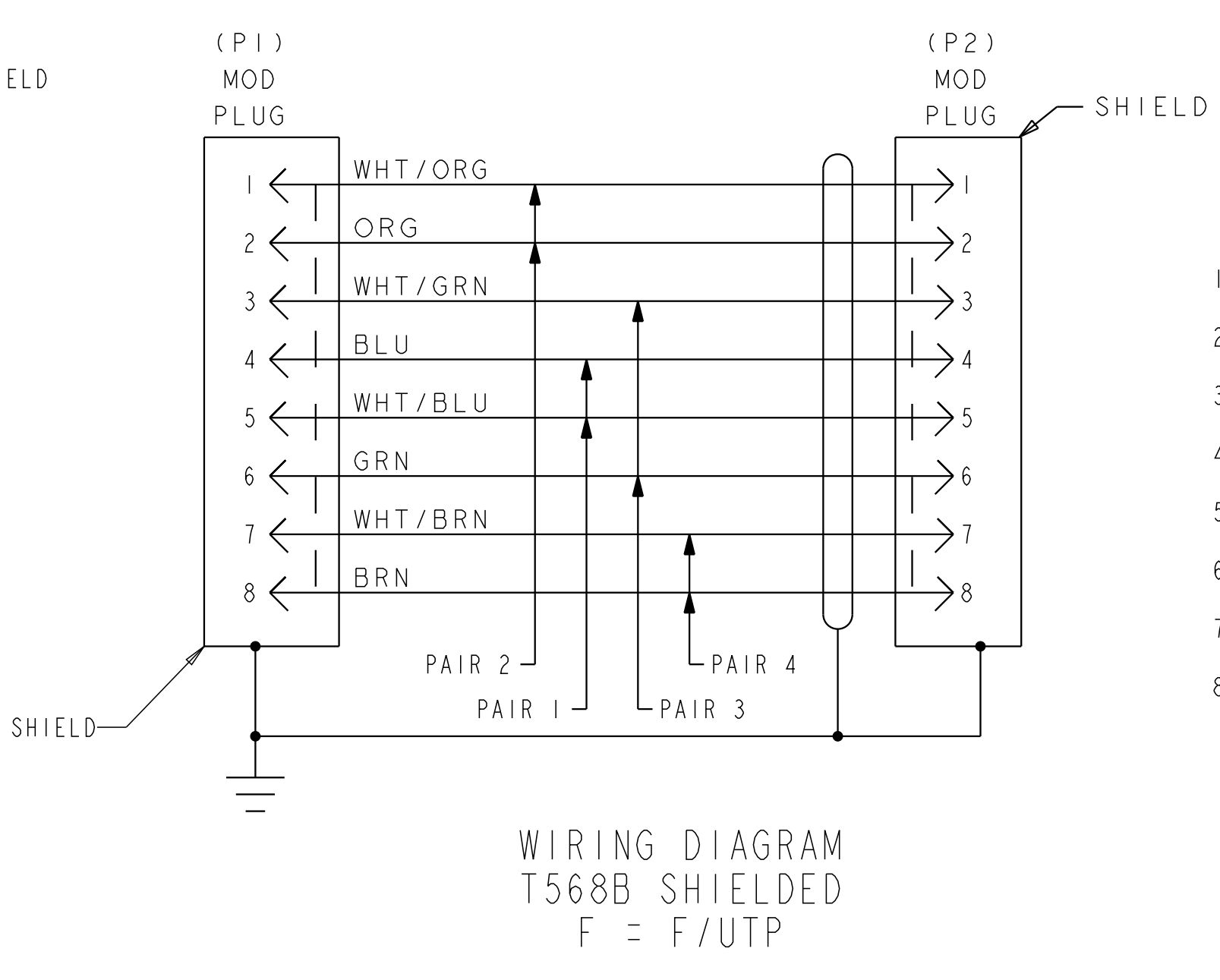
CAT 6 CROSSOVER WIRING DIAGRAM  
X = CAT 6 CROSSOVER



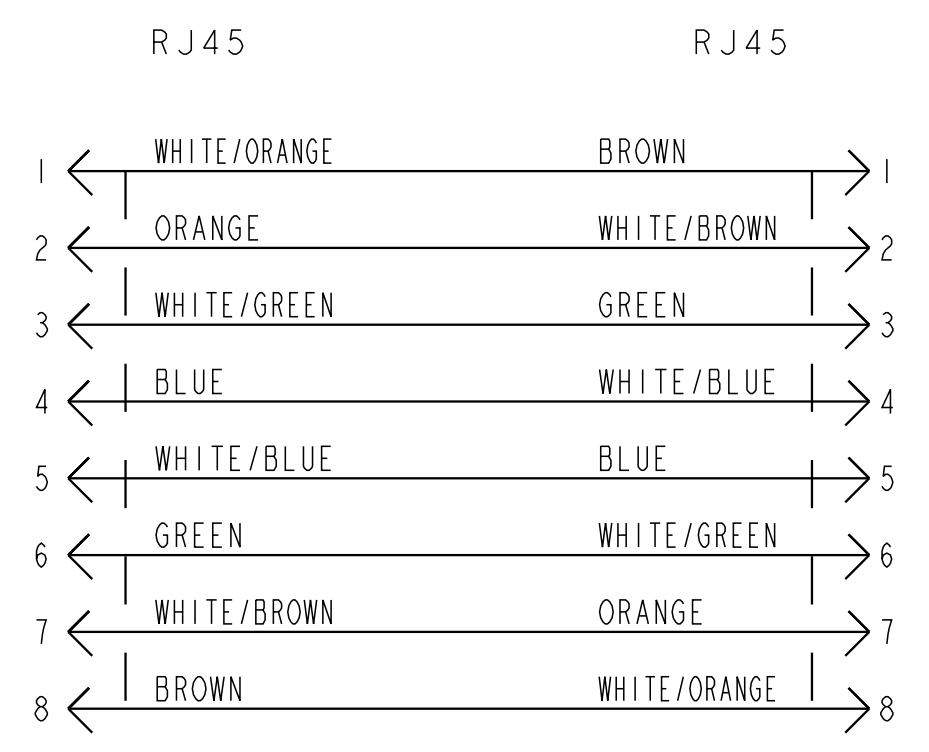
CAT 5E PoE WIRING DIAGRAM  
P = CAT 5E POE



WIRING DIAGRAM  
T568A SHIELDED  
F = F/UTP



WIRING DIAGRAM  
T568B SHIELDED  
F = F/UTP



ROLLOVER WIRING DIAGRAM  
R = ROLLOVER

COMMSCOPE, INC.

<small>© 2016 COMMSCOPE, INC. CONFIDENTIAL NOTICE: THESE DRAWINGS AND SPECIFICATIONS ARE THE PROPRIETARY PROPERTY OF COMMSCOPE, INC. AND MAY BE USED ONLY FOR THE SPECIFIC PURPOSE AUTHORIZED IN WRITING BY COMMSCOPE, INC.</small>	TITLE		CUSTOMER DRAWING REF	
	DRAWING NUMBER		CATALOG SCHEME FOR 5e	
<small>ALL DIMS AND TOLERANCES .XX:±.02 ARE INCHES UNLESS .XXX:±.010 OTHERWISE SPECIFIED ANGULAR:±2°</small>	C	SIZE	300001756447-C_BAK	E
DO NOT SCALE DRAWING	ENGR: J. GENIAC		SHT. 2 OF 2	
	DWN: G. GARRETT			

DIMENSIONS IN INCHES  
THIRD ANGLE PROJECTION