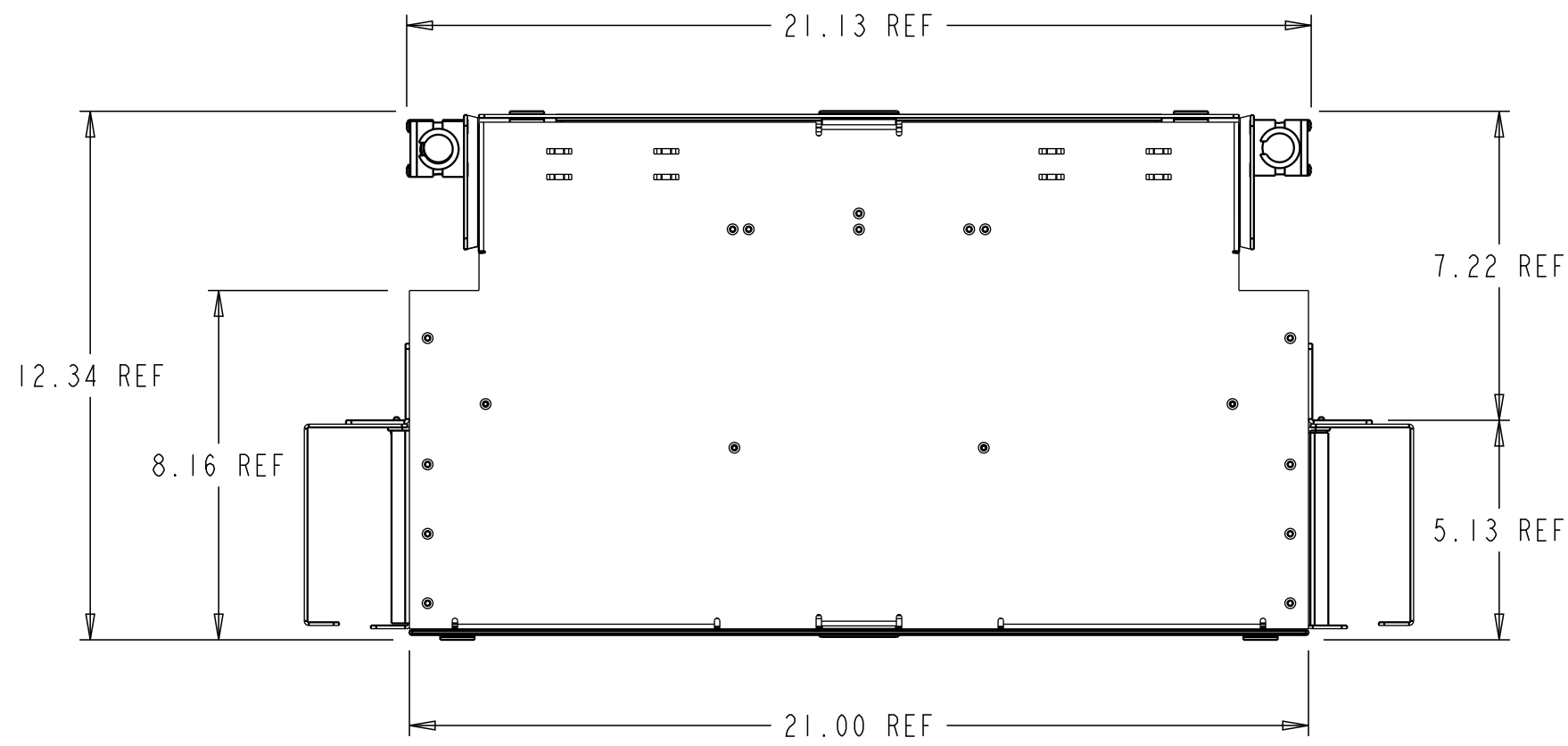
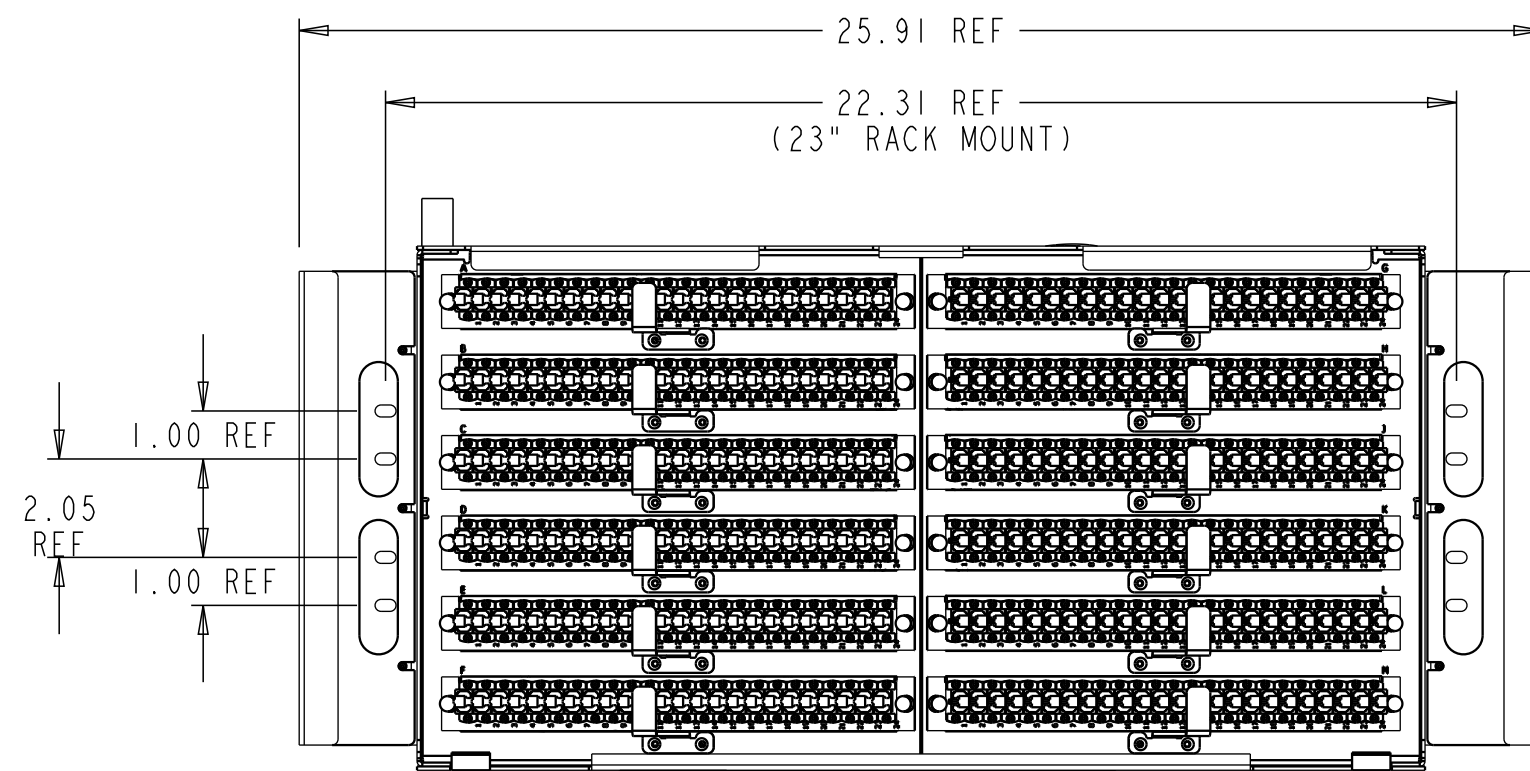


REV.	MCO	DWN	DATE
C	40014308MCO	CA	15-MAY-14
D	40032938MCO	JGZV	23-AUG-16

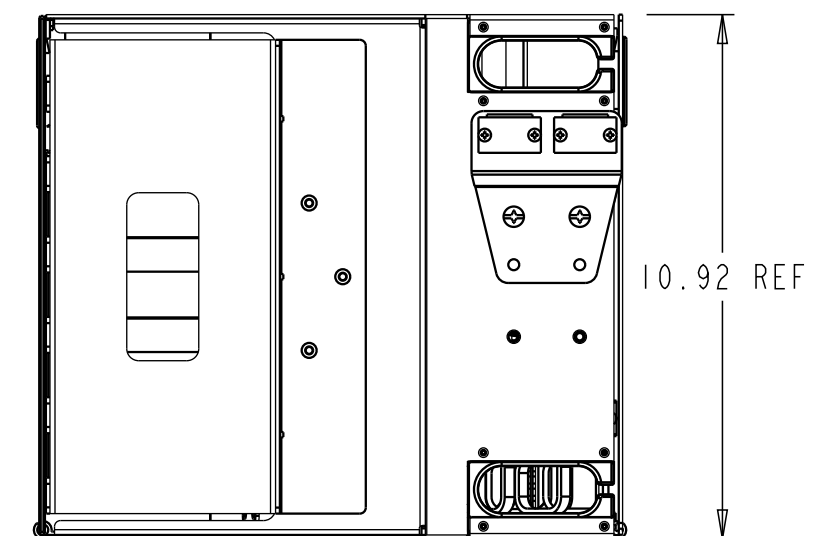


NOTES:

1. 288 POSITION SMC MODULE SHOWN FOR REFERENCE. MANY DIFFERENT COMBINATIONS OF CABLE, ADAPTER TYPES, AND LOADING CONFIGURATIONS AVAILABLE.
2. MODULE IS SHOWN WITH 2 CABLE CLAMPS ASSEMBLED. ACTUAL UNIT MAY HAVE DIFFERENT NUMBER OF CLAMPS ASSEMBLED BASED ON CONFIGURATION ORDERED. UNLOADED MODULES WILL NOT HAVE CLAMPS INSTALLED BY TE. ENOUGH COMPONENTS WILL BE SHIPPED ALONG FOR (1) COMPLETE CLAMP ASSEMBLY.
3. MODULE HAS UNIVERSAL MOUNTING BRACKET MOUNTED AT 5 INCH RECESS AND 23 INCH RACK MOUNTING SPACING.



VCG BRACKETS
FRONT DOOR AND DESIGNATION CARD NOT SHOWN FOR CLARITY.
SCALE 0.250

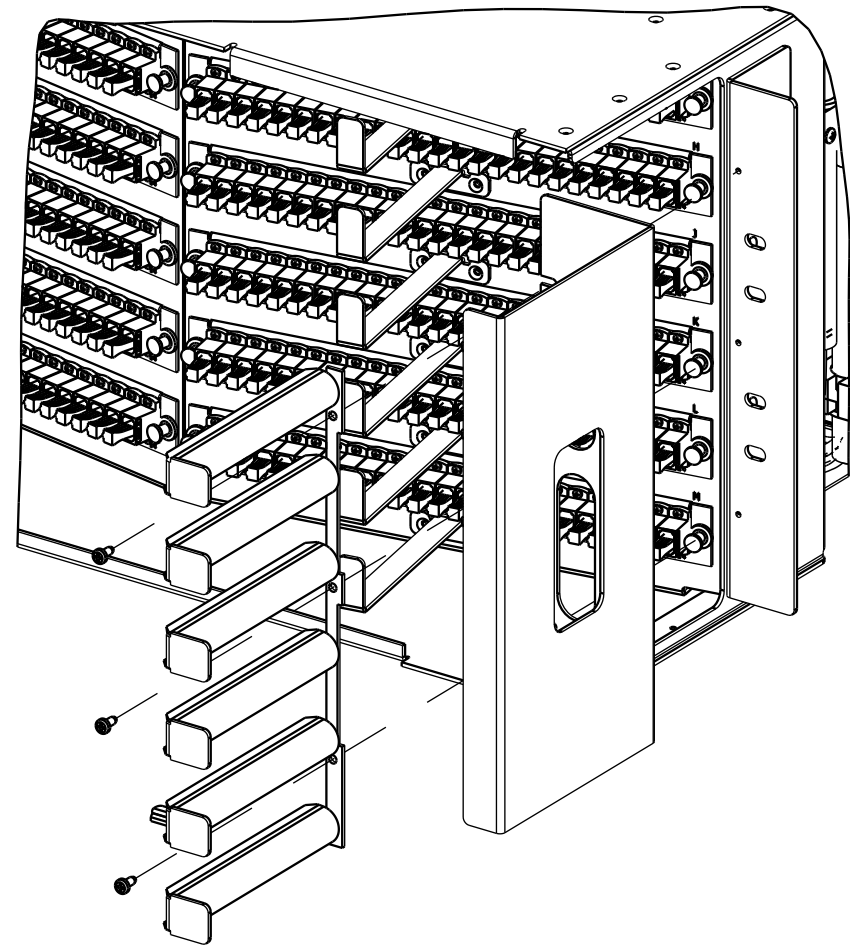


COMMSCOPE, INC.

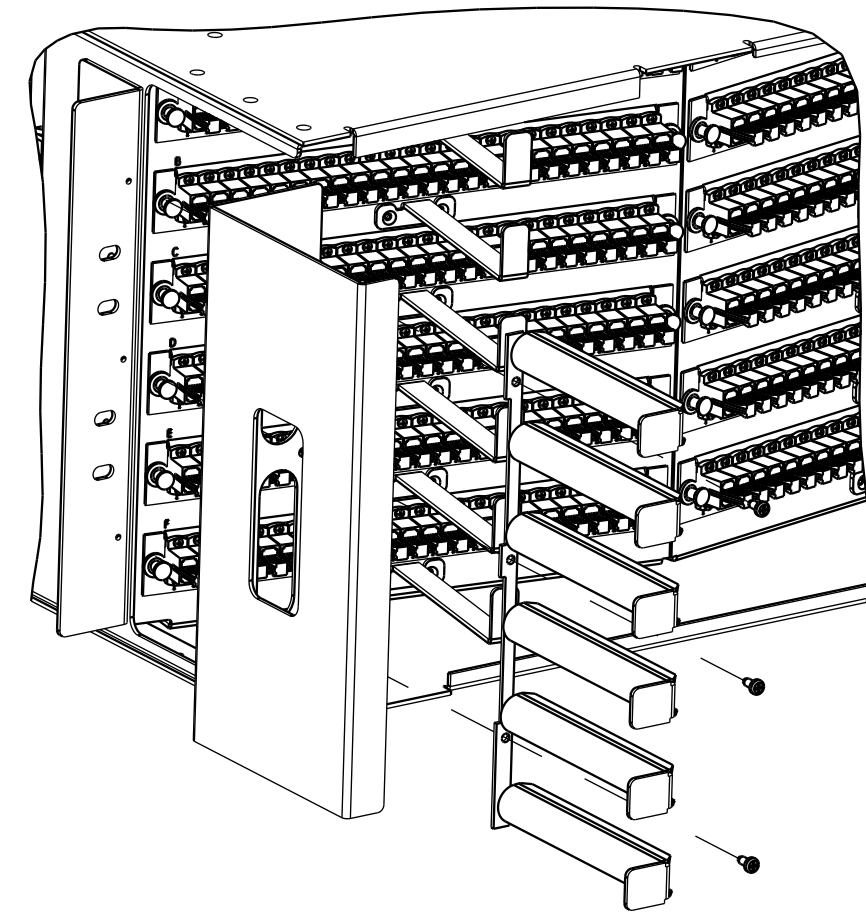
<small>© 2016 COMMSCOPE, INC. CONFIDENTIAL NOTICE: THESE DRAWINGS AND SPECIFICATIONS ARE THE PROPRIETARY PROPERTY OF COMMSCOPE, INC. AND MAY BE USED ONLY FOR THE SPECIFIC PURPOSE AUTHORIZED IN WRITING BY COMMSCOPE, INC.</small>		TITLE LSX-288 POS TERM/ONLY INSTALLATION DRAWING	
<small>ALL DIMS AND TOLERANCES ARE INCHES UNLESS OTHERWISE SPECIFIED</small>	<small>.XX:±REF .XXX:±REF ANGULAR:±REF</small>	DRAWING NUMBER 1437185_ADC	D REV
DO NOT SCALE DRAWING		ENGR: A. PONCE DWN: L. XACA	SHT. 1 OF 2

DIMENSIONS IN INCHES
THIRD ANGLE PROJECTION

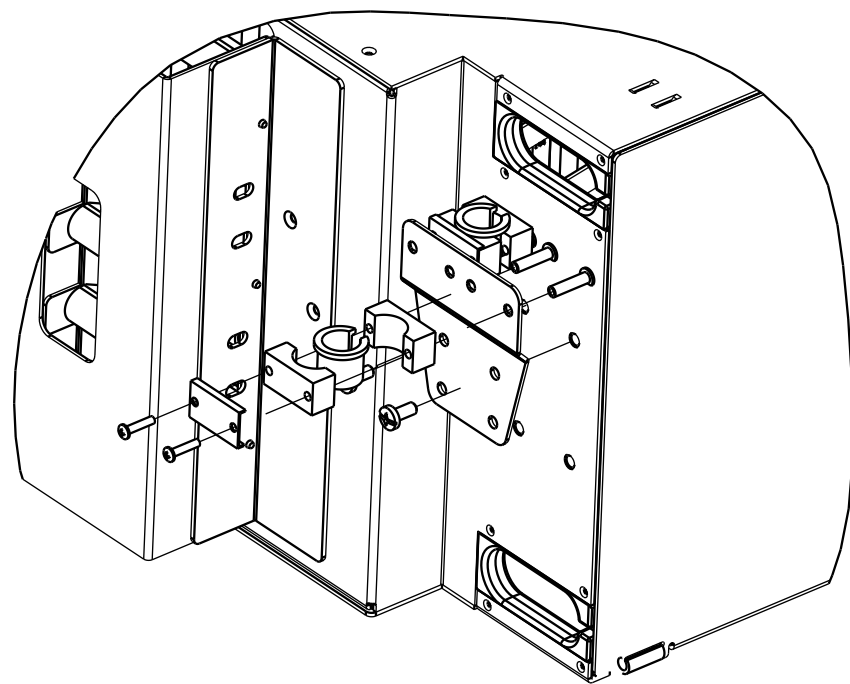
VCG'S BRACKETS & CABLE CLAMP INSTALLATION



RIGHT SIDE
SCALE 0.300
4



LEFT SIDE
SCALE 0.300
4



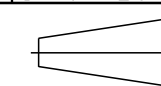
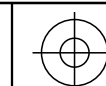
CABLE CLAMP INSTALLATION
SCALE 0.300
5 6

NOTES:

- 4 INSTALL VCG ON BRACKET USING INCLUDED SCREWS. MAKE SURE VCG'S ORIENTATION IS AS SHOWN BECAUSE ONE IS FOR THE RIGHT SIDE AND THE OTHER ONE IS FOR THE LEFT SIDE.
- 5 CABLE CLAMP INSTALLATION DETAIL ONLY APPLIES TO MODULES SHIPPED WITH NO CABLE ASSEMBLED IN TO MODULE.
- 6 3 DIFFERENT GROMMETS ARE INCLUDED WITH MODULE. USE INCLUDED GROMMET THAT BEST FITS THE APPLICATION, IF YOKES ALONE DO NOT HOLD CABLE IN PLACE.
- 7. ADDITIONAL YOKES AND GROMMETS CAN BE ORDERED FROM ADC IF INCLUDED HARDWARE DOES NOT FIT APPLICATION.

COMMSCOPE, INC.

<small>© 2016 COMMSCOPE, INC. CONFIDENTIAL NOTICE: THESE DRAWINGS AND SPECIFICATIONS ARE THE PROPRIETARY PROPERTY OF COMMSCOPE, INC. AND MAY BE USED ONLY FOR THE SPECIFIC PURPOSE AUTHORIZED IN WRITING BY COMMSCOPE, INC.</small>		TITLE LSX-288 POS TERM/ONLY INSTALLATION DRAWING	
ALL DIMS AND TOLERANCES ARE INCHES UNLESS OTHERWISE SPECIFIED	.XX:±REF .XXX:±REF ANGULAR:±REF	DRAWING NUMBER 1437185_ADC	D REV
DO NOT SCALE DRAWING		ENGR: A. PONCE DWN: L. XACA	SHT. 2 OF 2



**DIMENSIONS IN INCHES
THIRD ANGLE PROJECTION**