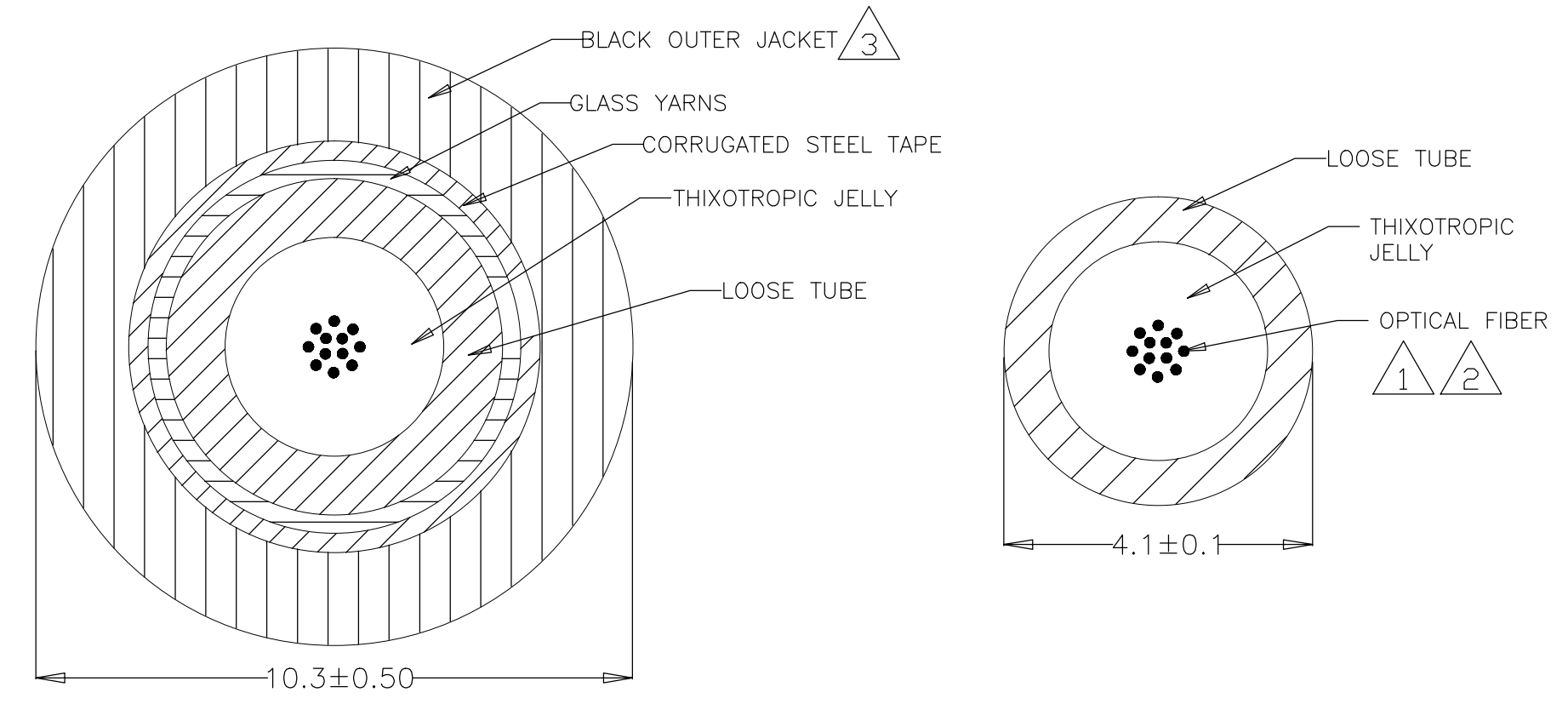


1 OPTICAL FIBER SPECIFICATIONS:

PART NUMBER	FIBER TYPE	CABLE TYPE		ATTENUATION db/km				OFL BANDWIDTH MHz-Km	
				850nm	1300nm	1310nm	1550nm	850nm	1300nm
X-1427434-1	62.5/125	OM1	MAXIMUM	3.5	1.5	N/A	N/A	200	600
X-1427434-2	50/125	OM2	MAXIMUM	3.5	1.5	N/A	N/A	500	500
X-1427434-3	50/125	OM3	MAXIMUM	3.5	1.5	N/A	N/A	1500	500
X-1427434-4	SM,G652D	OS2	MAXIMUM	N/A	NA	0.36	0.23	N/A	N/A
X-1427434-5	50/125	OM4	MAXIMUM	3.5	1.5	N/A	N/A	3500	500



2 OPTICAL FIBERS TO BE COLOR-CODED BLUE, ORANGE, GREEN, BROWN, GRAY, WHITE, RED, BLACK, YELLOW, VIOLET, PINK AND AQUA PER TIA/EIA 598A.

3 CABLE OUTER JACKET:  
A. OUTER JACKET MATERIAL TO BE POLYETHYLENE.  
B. JACKET COLOR TO BE BLACK.

4 RATINGS:  
A. STORAGE TEMPERATURE: -40°C TO +70°C  
B. OPERATING TEMPERATURE: -40°C TO +70°C  
C. INSTALLATION TEMPERATURE: -20°C TO +60°C  
D. MAXIMUM LOADING AT INSTALLATION 2700 N  
E. MAXIMUM LOADING LONG TERM: 890 N  
F. MINIMUM BEND RADIUS AT INSTALLATION: 20 TIMES THE OUTSIDE DIAMETER  
G. MINIMUM BEND RADIUS, UNLOADED: 10 TIMES THE OUTSIDE DIAMETER  
H. CRUSH RESISTANCE: 1500 N/10cm  
I. CABLE WEIGHT: 108 KG/KM NOMINAL

5 MM/YY MONTH/YEAR - EXAMPLE: 06/16

6 XXXXX - SEQUENTIAL METER MARKING  
TOLERANCE ON LENGTH MARKINGS: -0%/+2%

7 FIBER-CABLE TYPE-- "SM-OS2" FOR SINGLE MODE,  
"50/125-OM2", "62.5/125-OM1", "50/125-OM3", "50/125-OM4" FOR MULTIMODE.

8 PRINT LEGEND ACCORDING 101-131550 METHOD A, LEGEND TO BE REPEATED EVERY METER IN INDENTED WHITE INK.

1 7 5 6  
COMMSCOPE 10.3mm OUTDOOR OPTICAL CABLE X-1427434-Y 12F [Fiber type] PE [Batch code] MM/YY XXXX (M)

PART NUMBER LIST					
8-1427434-5	4-1427434-5	3-1427434-5	2-1427434-5	1-1427434-5	50/125-OM4
8-1427434-4	4-1427434-4	3-1427434-4	2-1427434-4	1-1427434-4	SM-OS2
8-1427434-3	4-1427434-3	3-1427434-3	2-1427434-3	1-1427434-3	50/125-OM3
8-1427434-2	4-1427434-2	3-1427434-2	2-1427434-2	1-1427434-2	50/125-OM2
8-1427434-1	4-1427434-1	3-1427434-1	2-1427434-1	1-1427434-1	62.5/125-OM1
CUT LENGTH	4000M	3000M	2000M	1000M	FIBER-CABLE TYPE

PACKAGED LENGTH		MATERIAL		HEAT TREAT	
DWN	ENIAC XU	07SEP2010	-	-	-
CHK	-	-	-	-	-
APVD	RICKY CHEN	07SEP2010	COMMSCOPE, INC.		
NAME	CABLE, FIBER OPTIC, OUTSIDE PLANT, ARMORED, 12 FIBERS				
SCALE	SIZE	DRAWING NO	SHEET	OF	REV
-	A2	1427434	1	1	D

DIMENSIONS:		TOLERANCES UNLESS OTHERWISE SPECIFIED:	
mm		0 PLC	± -
		1 PLC	± -
		2 PLC	± -
		3 PLC	± -
		4 PLC	± -
ANGLES±	-		
SURFACE TEXTURE	√		

P	LTR	REVISION RECORD	DATE	DWN	APVD
D		40031180MCO	3JUN16	M.D	T.V