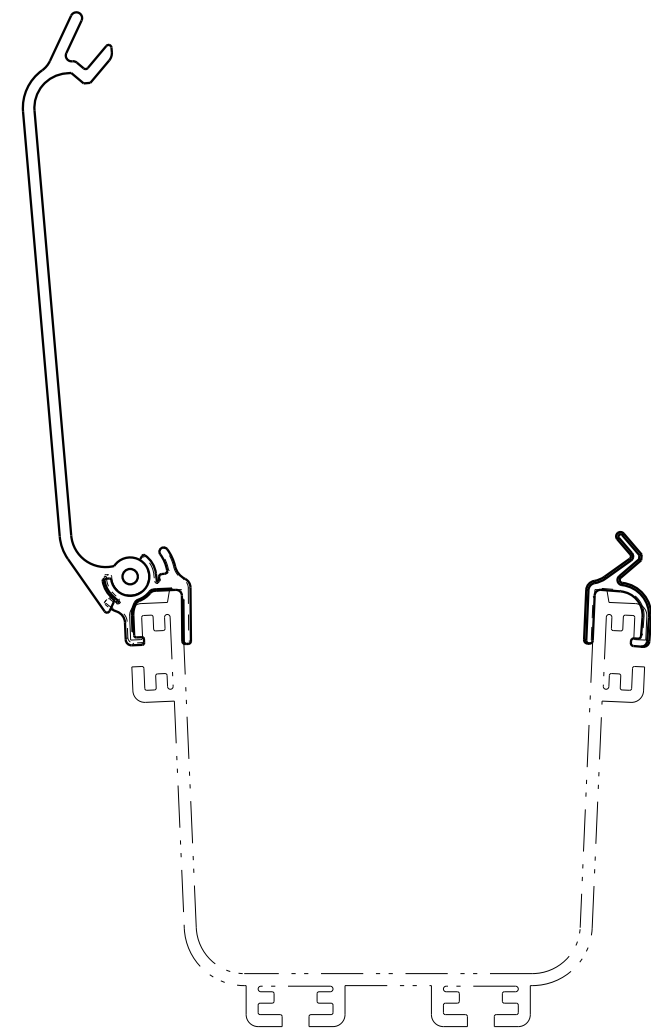
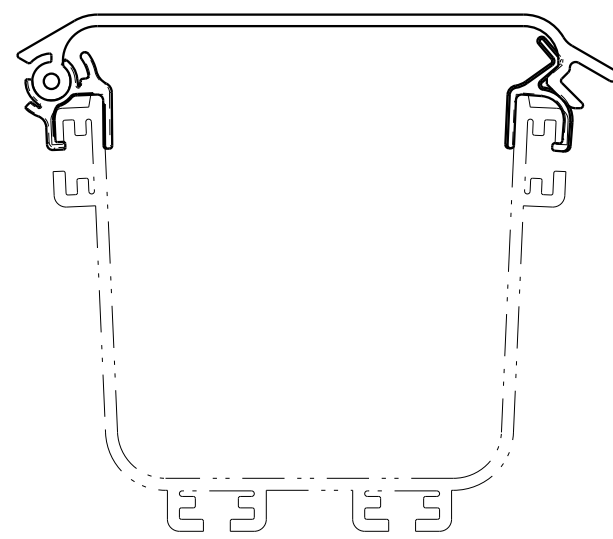


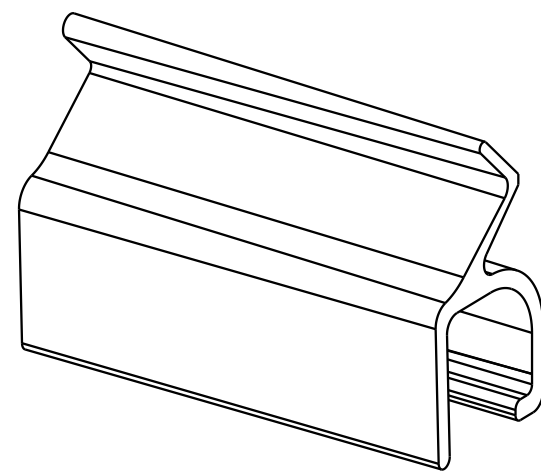
| REV. | MCO | DWN | DATE |
|------|------------|------|-----------|
| D | 20343999 | RAT | 30-JUL-13 |
| E | 8000019791 | OAVL | 07-FEB-17 |



OPEN POSITION
INSTALLATION TYPICAL ON
4", 6", AND 12" TROUGHS

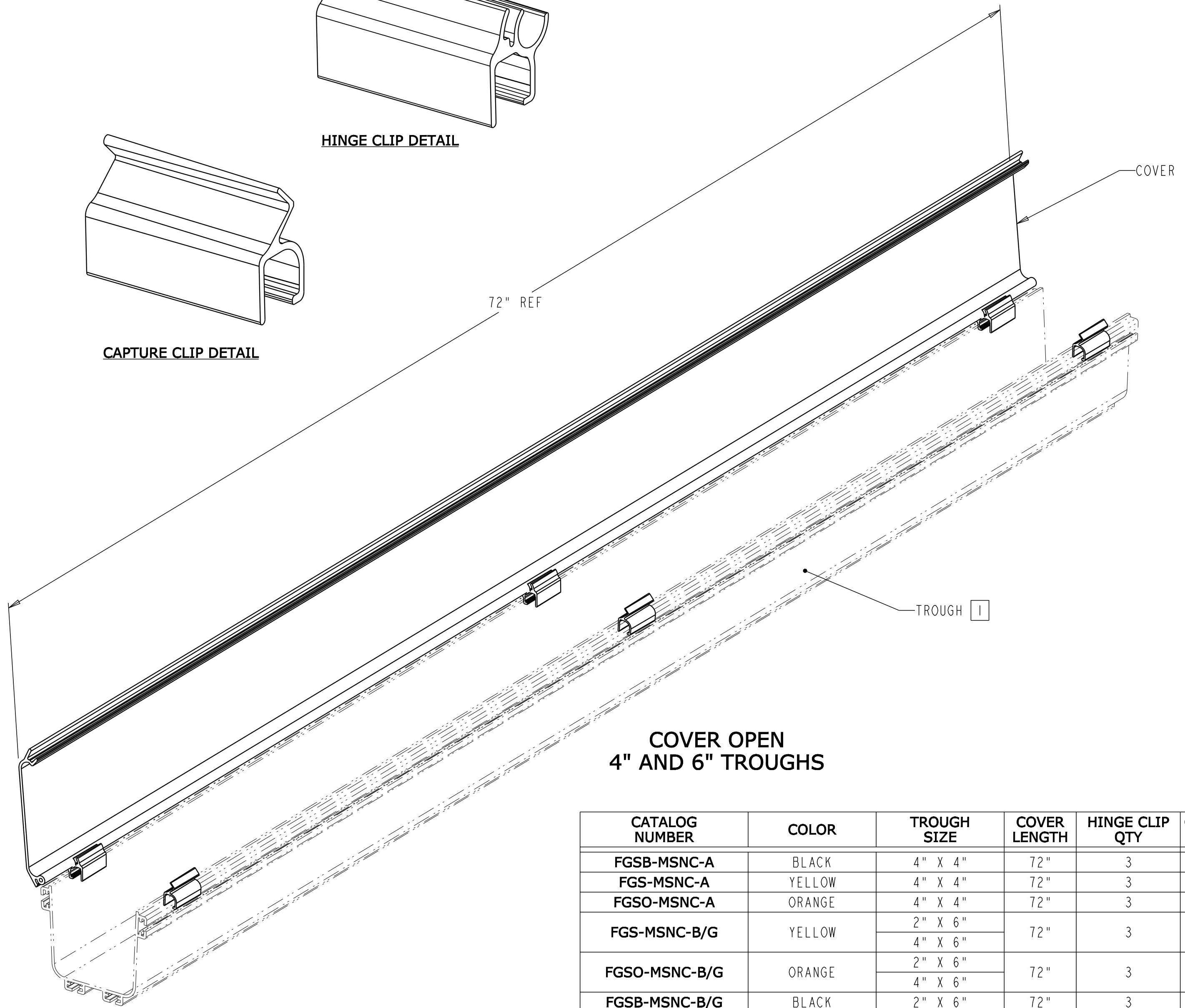


CLOSED POSITION
INSTALLATION TYPICAL ON
4", 6", AND 12" TROUGHS



HINGE CLIP DETAIL

CAPTURE CLIP DETAIL



COVER OPEN
4" AND 6" TROUGHS

| CATALOG NUMBER | COLOR | TROUGH SIZE | COVER LENGTH | HINGE CLIP QTY | CAPTURE CLIP QTY |
|----------------|--------|-------------|--------------|----------------|------------------|
| FGSB-MSNC-A | BLACK | 4" X 4" | 72" | 3 | 3 |
| FGS-MSNC-A | YELLOW | 4" X 4" | 72" | 3 | 3 |
| FGSO-MSNC-A | ORANGE | 4" X 4" | 72" | 3 | 3 |
| FGS-MSNC-B/G | YELLOW | 2" X 6" | 72" | 3 | 3 |
| | | 4" X 6" | | | |
| FGSO-MSNC-B/G | ORANGE | 2" X 6" | 72" | 3 | 3 |
| | | 4" X 6" | | | |
| FGSB-MSNC-B/G | BLACK | 2" X 6" | 72" | 3 | 3 |
| FGS-MSNC-F | YELLOW | 4" X 12" | 36" | 6 | 3 |
| FGSO-MSNC-F | ORANGE | 4" X 12" | 36" | 6 | 3 |

NOTES:

- 1 TROUGH NOT CONTAINED IN KIT.
- 2. PLACE CLIPS APPROXIMATELY AS SHOWN.

COMMSCOPE, INC.

© 2016 COMMSCOPE, INC. CONFIDENTIAL
NOTICE: THESE DRAWINGS AND SPECIFICATIONS
ARE THE PROPRIETARY PROPERTY OF
COMMSCOPE, INC. AND MAY BE USED ONLY FOR THE
SPECIFIC PURPOSE AUTHORIZED IN WRITING BY
COMMSCOPE, INC.

TITLE
KIT, COVER,
HINGED, FGS,
INSTALLATION DRAWING

ALL DIMS AND TOLERANCES .XX:±xx
ARE INCHES UNLESS .XXX:±xxx
OTHERWISE SPECIFIED ANGULAR:±N/A

DRAWING NUMBER
1381993_ADC

DO NOT SCALE DRAWING

ENGR: J. GABRIEL NERI
DWN: J. GABRIEL NERI

SHT. 1 OF 2



DIMENSIONS IN INCHES
THIRD ANGLE PROJECTION

A

B

C

D

1

2

3

4

1

2

3

4

36" REF

COVER OPEN
12" TROUGH

COVER CLOSED
12" TROUGH

COMMSCOPE, INC.

© 2016 COMMSCOPE, INC. CONFIDENTIAL
NOTICE: THESE DRAWINGS AND SPECIFICATIONS
ARE THE PROPRIETARY PROPERTY OF
COMMSCOPE, INC. AND MAY BE USED ONLY FOR THE
SPECIFIC PURPOSE AUTHORIZED IN WRITING BY
COMMSCOPE, INC.

ALL DIMS AND TOLERANCES .XX:±.XX
ARE INCHES UNLESS .XXX:±.XXX
OTHERWISE SPECIFIED ANGULAR:±N/A

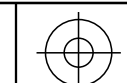
DO NOT SCALE DRAWING

TITLE KIT, COVER,
HINGED, FGS,
INSTALLATION DRAWING

DRAWING NUMBER 1381993_ADC

SHT. 2 OF 2

ENGR:
DWN:



DIMENSIONS IN INCHES
THIRD ANGLE PROJECTION