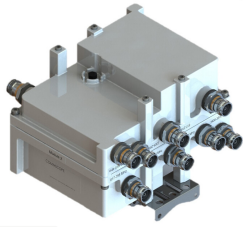


# SQX682335T-43 | E14F15P27



Compact Twin Quadplexer 617-798/817-2180/2305-2690/ 3400-3800 MHz, 4.3-10 connectors

- New Combining Solution to introduce 5G, 3.5GHz band
- BTS-to-feeder and feeder-to-antenna application
- New 4.3-10 connectors for improved PIM performance and size reduction
- dc/AISG blocking on all ports
- Suitable for space limited applications like Metro Cell, Lamp Pole, Concealment Solution and Macro Site
- Ideal for small cell applications

## Product Classification

**Product Type** Triplexer

## General Specifications

**Color** Gray

**Common Port Label** COMM

**Modularity** 2-Twin

**Mounting** Pole | Wall

**Mounting Pipe Hardware** Band clamps (2)

**RF Connector Interface** 4.3-10 Female

**RF Connector Interface Body Style** Long neck

## Dimensions

**Height** 162 mm | 6.378 in

**Width** 213 mm | 8.386 in

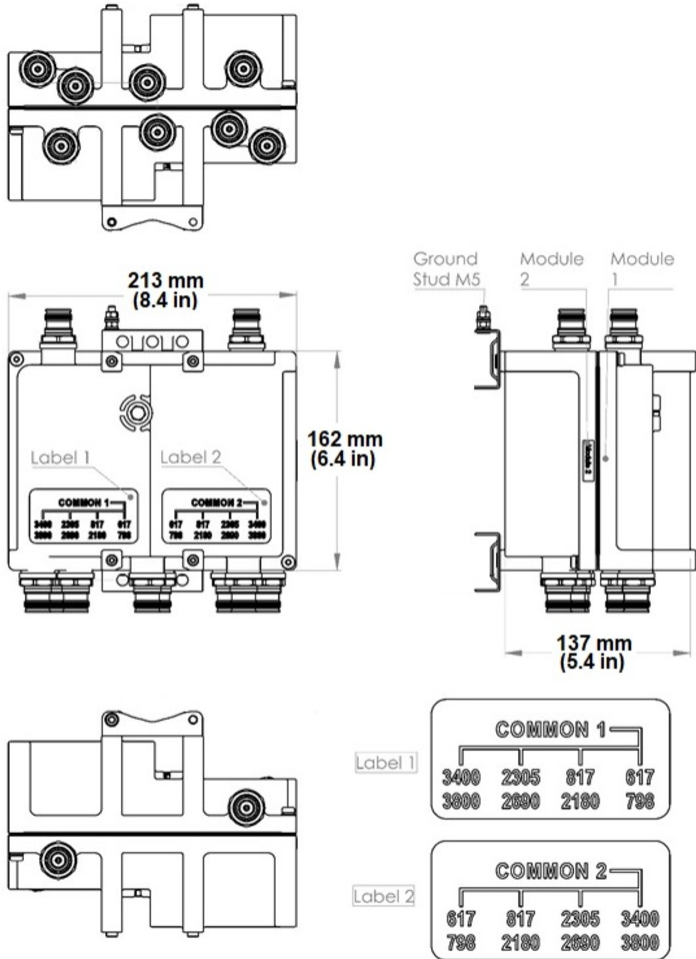
**Depth** 137 mm | 5.394 in

**Ground Screw Diameter** 5 mm | 0.197 in

**Mounting Pipe Diameter Range** 42.6–122 mm

## Outline Drawing

# SQX682335T-43 | E14F15P27



## Electrical Specifications

<b>Impedance</b>	50 ohm
<b>License Band, Band Pass</b>	APT 700   AWS 1700   CEL 850   CEL 900   DCS 1800   EDD 800   IMT 2100   IMT 2600   LMR 750   LMR 800   LMR 900   PCS 1900   TDD 3500   USA 600   USA 700   USA 750   WCS 2300

## Electrical Specifications, dc Power/Alarm

<b>dc/AISG Pass-through Method</b>	No dc/AISG pass-through
<b>Lightning Surge Current</b>	5 kA
<b>Lightning Surge Current Waveform</b>	8/20 waveform
<b>Voltage</b>	7–32 Vdc

## Electrical Specifications

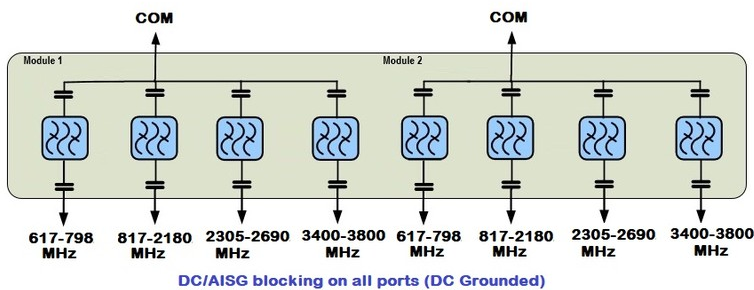
# SQX682335T-43 | E14F15P27

<b>Sub-module</b>	1   2	1   2	1   2	1   2	1   2
<b>Branch</b>	1	2	2	3	4
<b>Port Designation</b>	617-798	817-2180	817-2180	2305-2690	3400-3800
<b>License Band</b>	USA 700, Band Pass USA 750, Band Pass USA 600, Band Pass	LMR 800, Band Pass CEL 850, Band Pass CEL 900, Band Pass IMT 2100, Band Pass	PCS 1900, Band Pass AWS 1700, Band Pass AWS 2000, Band Pass	TDD 2300, Band Pass IMT 2600, Band Pass	TDD 3500, Band Pass

## Electrical Specifications, Band Pass

Frequency Range, MHz	617-798	817-894	1695-2180	2305-2690	3400-3800
<b>Insertion Loss, maximum, dB</b>	0.55	0.55	0.35	0.3	0.35
<b>Insertion Loss, typical, dB</b>	0.2	0.2	0.1	0.15	0.15
<b>Total Group Delay, maximum, ns</b>	55	50	20	20	15
<b>Return Loss, minimum, dB</b>	18	18	18	18	18
<b>Return Loss, typical, dB</b>	20	20	20	20	20
<b>Isolation, minimum, dB</b>	40	40	40	40	40
<b>Input Power, RMS, maximum, W</b>	4	4	4	4	4
<b>Input Power, PEP, maximum, W</b>	40	40	40	40	40
<b>3rd Order PIM, maximum, dBc</b>	-155	-155	-155	-155	-155
<b>3rd Order PIM Test Method</b>	Two +33 dBm carriers	Two +33 dBm carriers	Two +33 dBm carriers	Two +33 dBm carriers	Two +33 dBm carriers

## Block Diagram



## Environmental Specifications

<b>Operating Temperature</b>	-40 °C to +65 °C (-40 °F to +149 °F)
<b>Relative Humidity</b>	Up to 100%

# SQX682335T-43 | E14F15P27

---

**Corrosion Test Method** IEC 60068-2-11, 30 days

**Ingress Protection Test Method** IEC 60529:2001, IP67

## Packaging and Weights

**Included** Mounting hardware

**Mounting Hardware Weight** 0.2 kg | 0.441 lb

**Volume** 4.8 L

**Weight, without mounting hardware** 6.1 kg | 13.448 lb