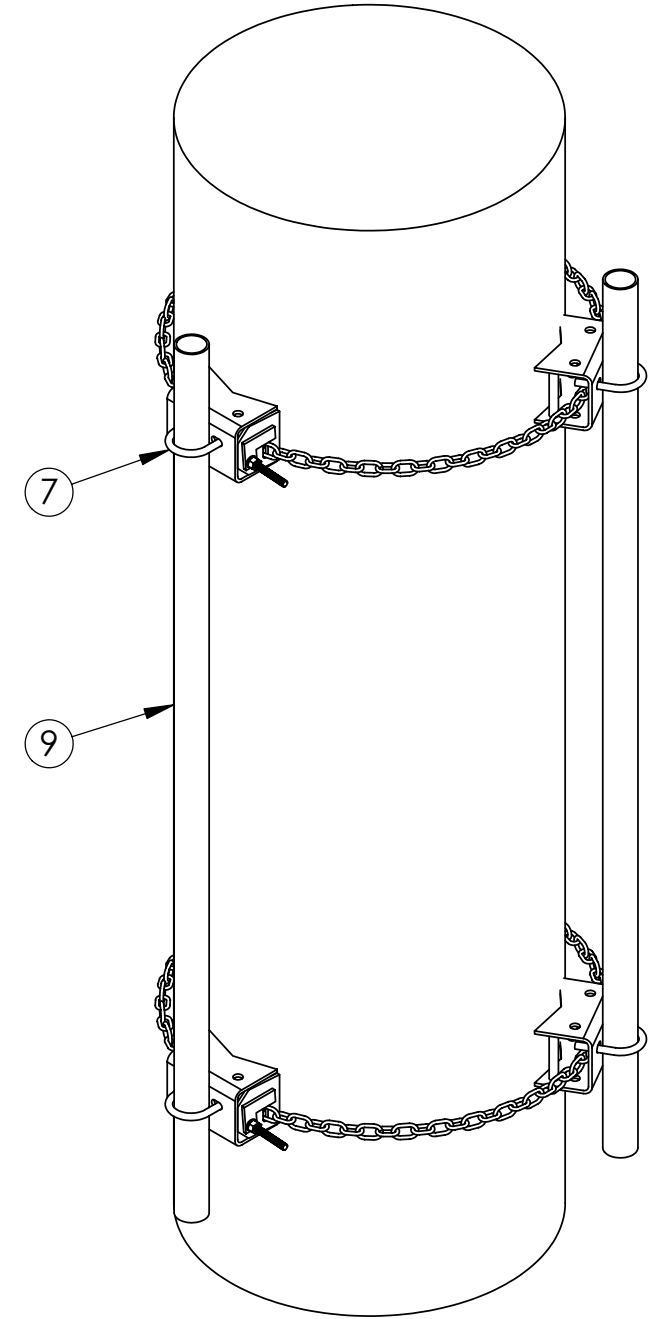
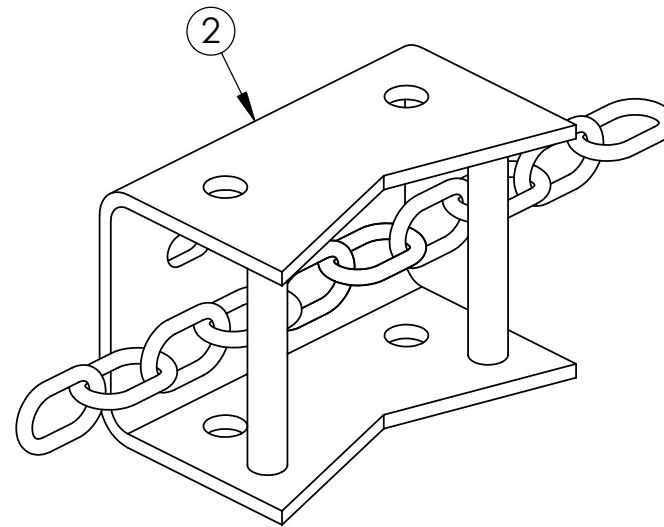
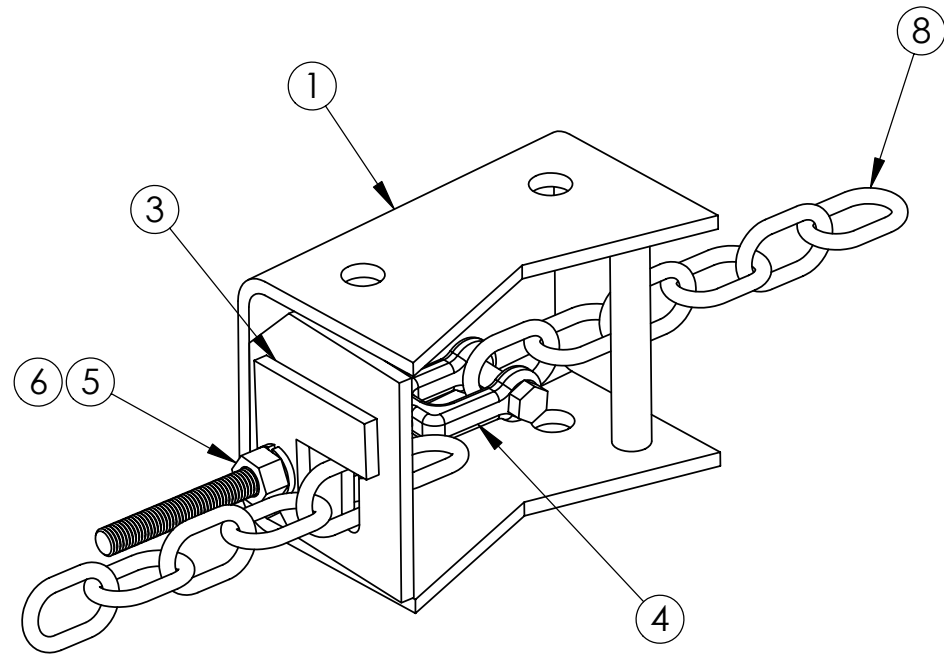


ITEM	PART NO.	DESCRIPTION	QTY.	WEIGHT
1	CM.01	CHAIN MOUNT ANCHOR	2	5.95 LBS
2	CM.02	CHAIN MOUNT SLIDER	4	5.44 LBS
3	CM.03	CHAIN LOCK	2	0.27 LBS
4	CM.04	1/2" RIGHT HAND THREAD JAW	2	0.55 LBS
5	GWL-04	1/2" GALV LOCK WASHER	2	0.01 LBS
6	GN-04	1/2" GALV HEX NUT (C2)	2	0.04 LBS
7	GUB-4240	1/2" X 2-1/2" X 4" GALV U-BOLT	6	0.56 LBS
8	G4-0-XXX	G-40 CHAIN (SEE TABLE)	2	
9	MT-XXX	PIPE MOUNTS (SEE TABLE)		


REVISIONS				
REV.	ZONE	DESCRIPTION	BY	DATE
A		INITIAL RELEASE	AW	12/15/04
B		ADDED NEW KITS	ACG	10/26/06

PART NO.	WEIGHT	PIPE MOUNT	QTY	CHAIN	CHAIN LENGTH
CM-30T-B	50.76 LBS	NONE	0	G4-0-96	8ft
CM-30T-48	83.75 LBS	MT-650	3	G4-0-96	8ft
CM-30T-72	113.76 LBS	MT-651	3	G4-0-96	8ft
CM-30T-96	151.26 LBS	MT-651-96	3	G4-0-96	8ft
CM-60T-B	62.76 LBS	NONE	0	G4-0-192	16ft
CM-60T-48	93.75 LBS	MT-650	3	G4-0-192	16ft
CM-60T-72	123.76 LBS	MT-651	3	G4-0-192	16ft
CM-60T-96	163.26 LBS	MT-651-96	3	G4-0-192	16ft



NOTES:

- ATTACH THE PIPES OR PIPE MOUNTS TO THE BRACKETS PRIOR TO ADDING THE JAW-BOLT/CHAIN ASSEMBLY

<small>These drawings and specifications are the proprietary property of ANDREW CORPORATION and may be used only for the specific purpose authorized in writing by Andrew Corporation.</small> ALL DIMENSIONS ARE IN INCHES U.O.S. TOLERANCES UNLESS OTHERWISE SPECIFIED: .X = .06 ANGLES 2' .XX = .03 FRACTIONS 1/32 .XXX = .010 REMOVE BURRS AND BREAK EDGES .005 DO NOT SCALE THIS PRINT	DRAWN BY: AW	SHEET: 1 of 1	PART NUMBER: CM-T SERIES
	CHECKED BY: TP	SCALE: NTS	DESCRIPTION: TRIPLE CHAIN MOUNT
	DATE: 12/15/04	MATERIAL: A36	DRAWING TYPE: ASSEMBLY DRAWING
	REVISION: B	FINISH: GALV A123	
	WEIGHT:	ORLAND PARK, IL. 60462 U.S.A.	