

# Installation Instructions

COMMScope®

on the go

MT500D

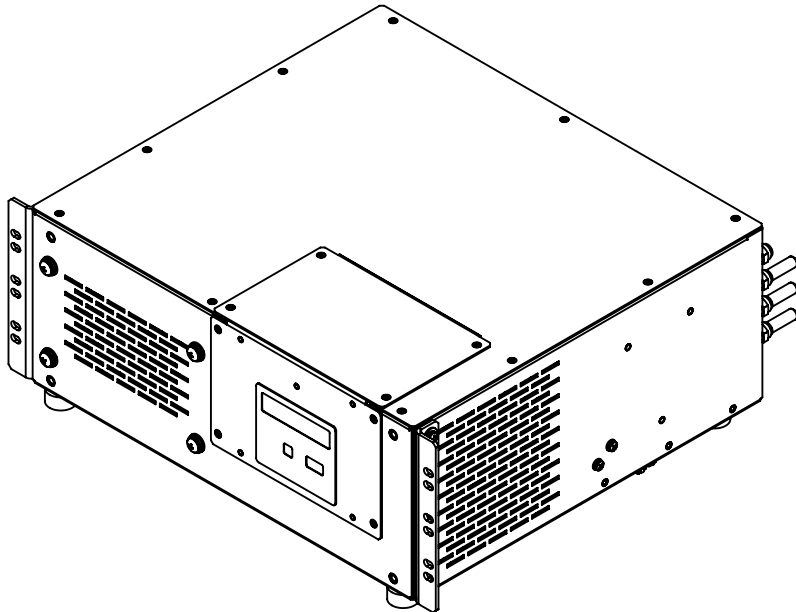


Bulletin AE01B-A0599-002 page 1 of 14

Version 00 Status 00 Rev A

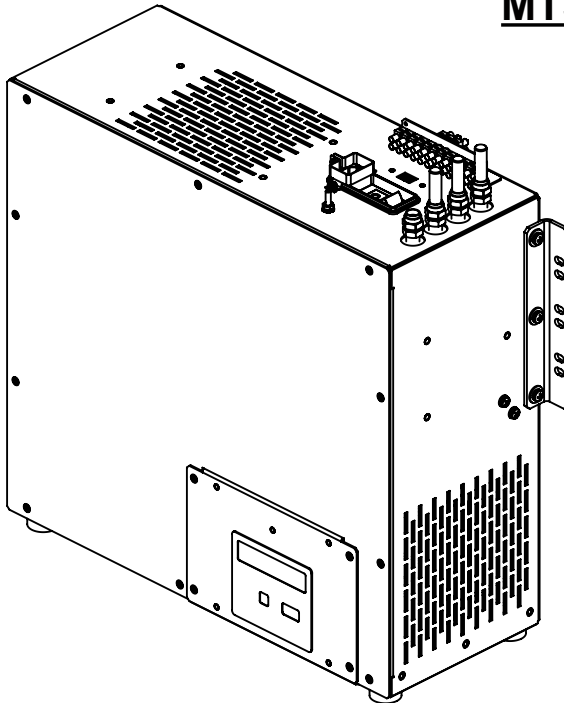
Model Version 03 Status RE Rev A

Andrew Institute offers installation training.



**RACK MOUNT CONFIGURATION**

**MT500D**



**WALL MOUNT CONFIGURATION**

## Andrew Solutions

### Customer Service 24 hours

U.S.A., Canada, Mexico: 1-800-255-1479  
or 1-888-235-5732  
U.K.: 0800 250055  
Other Europe: +44 592 782 612

[www.commscope.com/andrew](http://www.commscope.com/andrew)

Visit our Web site at [www.commscope.com/andrew](http://www.commscope.com/andrew) or contact your local Andrew Solutions representative for more information.  
© 2008 CommScope, Inc. All rights reserved.

Andrew Solutions is a trademark of CommScope. All trademarks identified by ® or ™ are registered trademarks or trademarks, respectively, of CommScope. This document is for planning purposes only and is not intended to modify or supplement any specifications or warranties relating to Andrew Solutions products or services.

Notice: Andrew disclaims any liability or responsibility for the results of improper or unsafe installation, inspection, maintenance, or removal practices.  
Aviso: Andrews no acepta ninguna obligacion ni responsabilidad como resultado de practicas incorrectas o peligrosas de instalacion, inspeccion, mantenimiento o retire.  
Avis : Andrew decline toute responsabilite pour les consequences de procedures d'installation, d'inspection, d'entretien ou de retrait incorrectes ou dangereuses.  
Hinweis: Andrew lehnt jede Haftung Oder Verantwortung fur Schaden ab, die aufgrund unsachgemäBer Installation, Überprüfung, Wartung Oder Demontage auftreten.  
Atencao: A Andrew abdica do direito de toda responsabilidade pelos resultados de praticas inadequadas e sem seguranca de instalacao, inspecao, manutengao ou remocao.  
Awertenza: Andrew declina eventual! responsabilita denvanti dell'esecuzione di procedure di installazione, ispezione, manutenzione e smontaggio improprie o poco sicure.

注意：Andrew 公司申明對於不恰當或不安全的安裝、檢驗、維修或拆卸操作所導致的後果不負任何義務和責任



# Installation Instructions

MT500D

Bulletin AE01B-A0599-001 page 2 of 14

Version 00 Status00 Rev A

Model Version 03 StatusRE Rev A

## Section 1 - General Information

### 1.1 - Introduction

This manual contains the information needed to install, operate and maintain the MT500D Series DryLine® dehydrator. Please take the time to read this manual before attempting to operate or service the unit.

**NOTICE: The installation, maintenance or removal of pressurization equipment requires qualified and experienced personnel. Pressurization systems should be inspected once per year by qualified technicians to verify proper installation, maintenance and condition of equipment. Commscope disclaims any liability or responsibility for the result of improper or unsafe installation practices.**

### 1.2 - Description

MT500D Series DryLine® dehydrators provide dry air for pressurizing medium (10-120 cubic feet, or 283-3400 liters, in volume) antenna and transmission line systems. The dehydrators produce -50°F (-45°C) dew point dry air at an output rate of 0.50 cubic feet (14 liters) per minute.

Each dehydrator consists of an electrically-driven air compressor, a membrane dryer assembly, an automatic transmission line pressure sensing system and alarm outputs housed in a rigid metal chassis. It is designed to mount in a standard 19" equipment rack, wall, or on a shelf. The front panel features a control interface with display for alarms and pressure.

The MT500D maintains transmission line pressures at 2-5 psig (13.8-34.5 kPa). It is intended for standard microwave antenna applications and any other transmission line pressurization requirement that supports a medium pressure limit.

### 1.3 - Operation

The MT500D DryLine® dehydrator, while similar in moisture removal technology, operates differently than some of the DryLine® series of dehydrators. This unit will cycle your transmission system between 2 and 5 psi (13.8-34.5 kPa). This unit will not cycle unless connected to a closed air volume. When the compressor is running, the dehydrator will maintain a nominal flow rate of 0.50 SCFM (14 lpm). When connected to a closed air volume, this dehydrator will cycle occasionally as it uses a very small amount of the output air to feed back through the membrane dryer in order to maintain the dryness of the membrane.

During normal operation, this feedback loop will cause the pressure to slowly drop in the external air volume, and the MT500D compressor will cycle automatically. These cycles will vary depending on the size of the air system and the inherent leak rate. The rate of these cycles may vary depending on ambient temperature.

During the initial pressurization of the transmission line, the dehydrator will cycle every 2 to 4 minutes with the system at 0 psig pressure. As the dehydrator pressurizes the system, the cycle times will increase and the pressure will rise until the dehydrator output is balanced with the system leak, at which point the cycle times will stabilize.

# Installation Instructions

MT500D

Bulletin AE01B-A0599-002 page 3 of 14

Version 00 Status 00 Rev A

Model Version 03 Status RE Rev A

## 1.4 - Alarms

The MT500D offers Low Pressure, High Humidity (Optional Kit), Excess Run and Power Fail alarms as a standard feature. In addition, a summary alarm connection is provided on all units. Alarm conditions are indicated on the display. The alarms are dry contacts and are set for continuity on alarm.

The external alarm monitoring system (supplied by others) is connected to the terminal strip located on top of the cabinet. A small slotted screwdriver is necessary to make the connections.

The connections to the alarm strip are as follows; refer to Figure 1 for correct locations and colors of the wires on the terminal strip.

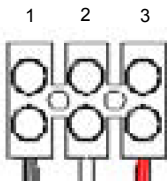


Figure 1 - Summary Alarm Terminal Strip

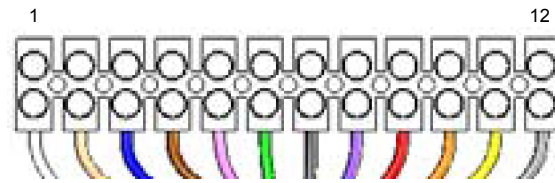


Figure 2 - Discrete Alarm Terminal Strip

WIRE TERMINAL	WIRE COLOR	ALARM FUNCTION
3	RED	SUMMARY NO
2	WHITE	SUMMARY COM
1	BLACK	SUMMARY NC

**\* NOTE: HIGH HUMIDITY ALARM IS NOT INCLUDED AS A STANDARD FEATURE. IT IS SOLD SEPARATELY AS MT/HR-KIT-HUMIDITY**

WIRE TERMINAL	WIRE COLOR	ALARM FUNCTION
1	WHITE	EXCESS RUN NO
2	TAN	EXCESS RUN COM
3	BLUE	EXCESS RUN NC
4	BROWN	*HIGH HUMIDITY NO
5	PINK	*HIGH HUMIDITY COM
6	GREEN	*HIGH HUMIDITY NC
7	BLACK	POWER FAIL NO
8	VIOLET	POWER FAIL COM
9	RED	POWER FAIL NC
10	ORANGE	LOW PRESSURE NO
11	YELLOW	LOW PRESSURE COM
12	GRAY	LOW PRESSURE NC

### Alarm Definitions:

**Summary:** Activates when the High Humidity, Excess Run, and/or Low Pressure alarms are triggered. The summary alarm does not report Power Fail.

**Power Fail:** Activates when power is removed from the dehydrator. This includes turning the power off at the switch.

**High Humidity:** Activates when system or dehydrator output humidity rise above 7.5% relative humidity. At initial installation, this alarm will continue to alarm until the system has been properly purged. This alarm is optional and can be purchased separately as MT/HR-KIT-HUMIDITY.

# Installation Instructions

MT500D

Bulletin AE01B-A0599-002, page 4 of 14

Version 00 Status00 Rev A

Model Version 03 StatusRE Rev A

Excess Run: Factory strapped run time set in accordance with the normal run time for the dehydrator application. Selectable times are 1, 10, 30, 120 and 240 minutes, with the 10 minute selection used on the MT500D as the default setting.

Low Pressure: If system pressure falls below the low-pressure trigger point (1.0 psig on the MT500D), the low-pressure alarm sensor will activate an alarm contact. This alarm is an indication of a significant system leak or a dehydrator failure.

**Note: All of the alarms clear and reset automatically, but can be manually reset in the display menus. However, if the alarm condition still exists, the alarm will return immediately after being reset.**

## 1.5 - Specifications

Start Pressure	13.8 kPa
	2.0 psig
Stop Pressure	34.5 kPa
	5.0 psig
Volume Capacity	293-3400 Liters
	10-120 cubic feet
Output Dew Point	-45° C or Better
	-50° F or Better
Operating Temperature	-10° to +50° C
	14° to 122° F
Electrical Input	115 Vac +/-10%, 60 Hz
	230 Vac +/-10%, 50/60 Hz
	24 Vdc, Sold Separately
	48 Vdc, Sold Separately
Output Style	3/8" Poly Compression
Dimensions (Rack-Mount Configuration)	Height = 18 cm, 6.9 in
	Width = 45 cm, 17.8 in
	Depth = 42 cm, 16.5 in
Dimensions (Wall-Mount Configuration)	Depth = 18 cm, 6.9 in
	Width = 45 cm, 17.8 in
	Height = 42 cm, 16.5 in
Net Weight	14.5 kg
	32 lb
Power Fail Alarm	Loss of Input Power
High Humidity Alarm	RH> 7.5%
Excess Run (Programmable 1 - 240 minutes)	10 minutes (Default)
Low Pressure Alarm	6.9 kPa
	1.0 psig

# Installation Instructions

MT500D

Bulletin AE01B-A0599-002 page 5 of 14

Version 00 Status00 Rev A

Model Version 03 StatusRE Rev A

## Section 2 - Installation

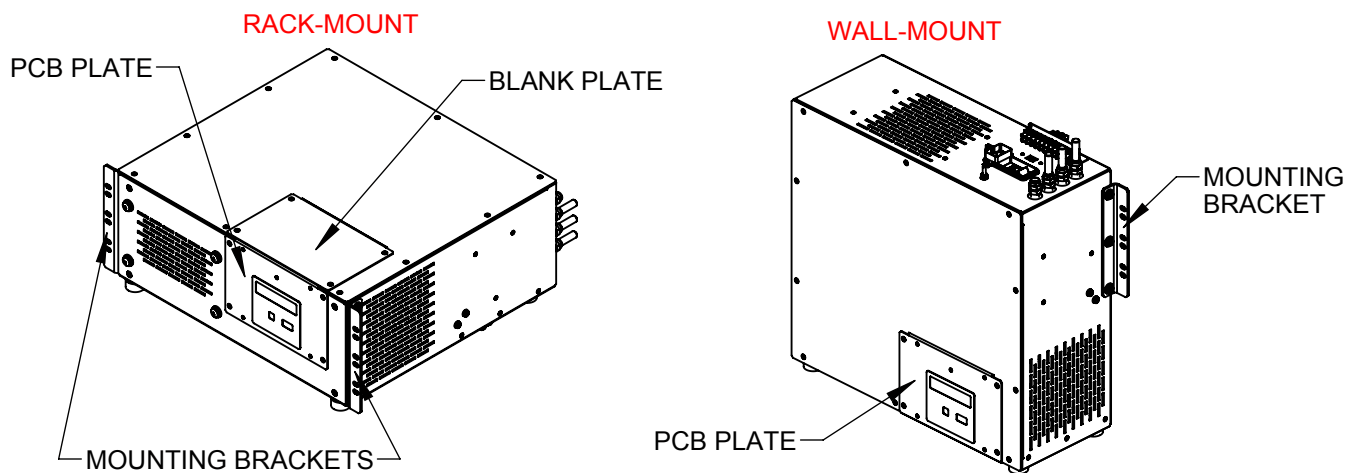
### 2.1 - Mounting Configuration

The MT500D dehydrator is packaged in the rack-mount configuration and requires no modification for mounting into a standard 19" equipment rack. This unit can be easily modified for a wall-mounting configuration as well.

To set the MT500D up for wall-mounting, a #2 Phillips head screwdriver is required. Remove the blank plate indicated in the image below and set aside. Remove the four screws from the PCB plate and set aside. Move the PCB plate to the area where the blank plate was originally. Screw the PCB plate into place. Now install the blank plate in the empty space where the PCB plate used to be.

The vibration isolators on the bottom of the unit can be moved to the front panel, which will be the bottom of the unit in the wall-mount configuration. The isolators are for mounting the unit to a bench or shelf and are not necessary for rack or wall-mounting configurations.

Remove the mounting brackets from the unit and relocate them into the position shown for wall-mounting the dehydrator.



### 2.2 - Controls and Display

Familiarize yourself with the controls and display prior to installing or testing the MT500D dehydrator. The default system password is 1111.

Select Button - Advances display (scrolls ahead) to the next display or program mode without changing any values in the microprocessor memory.

Enter Button - Enters the values displayed into the microprocessor memory and advances the display to the next screen.

Up Arrow Button - Increases highlighted numerical information on the display. When held down, scrolling speed will increase.

Down Arrow Button - Decreases highlighted numerical information on the display. When held down, scrolling speed will increase.

View Log Button - Will show the event log. The log is shown with the most recent event at the top. Scroll down for event history.

#### Event Log Codes

- EV = 0 Power Up
- EV = 1 High Humidity Alarm
- EV = 2 Excess Run Time Alarm
- EV = 3 Low Pressure Alarm
- EV = 4 High Pressure Alarm - This alarm does not report to alarm contacts.
- EV = 5 Compressor Fault - Unit will require evaluation or compressor overhaul or replacement.
- EV = 6 Log Cleared
- EV = 7 Powering Down
- EV = 8 Compressor Lifetime EEPROM failure - Unit will require a new control board.

# Installation Instructions

MT500D

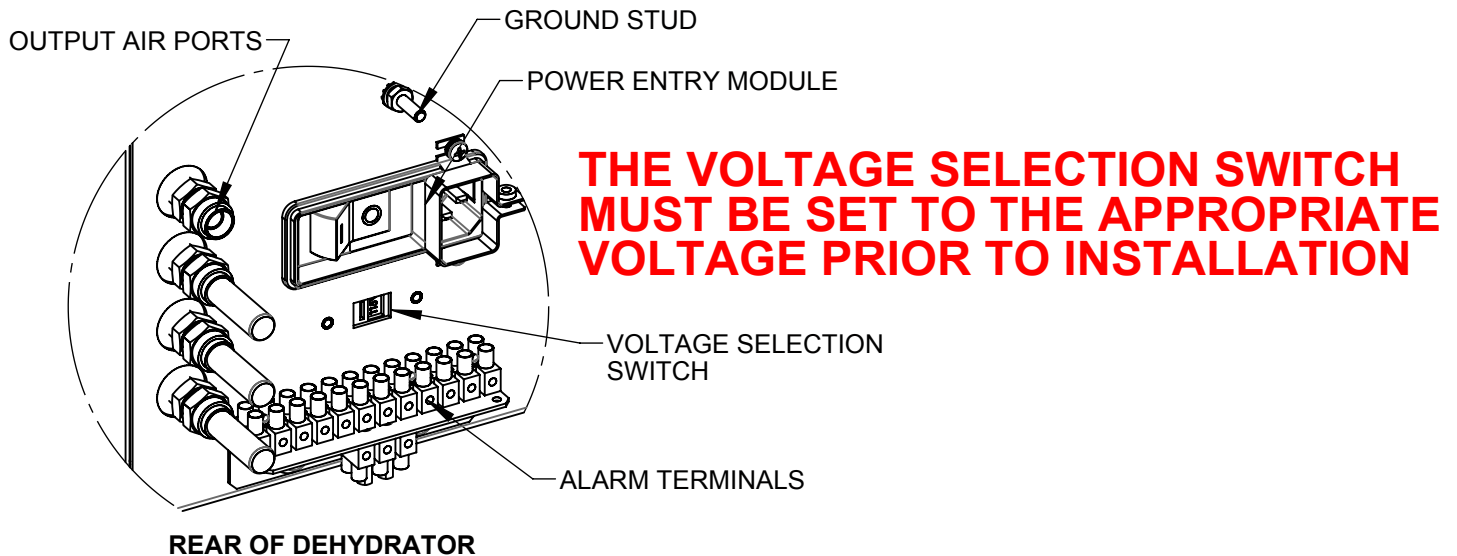
Bulletin AE01B-A0599-002 page 6 of 14

Version 00 Status00 Rev A

Model Version 03 StatusRE Rev A

## 2.3 - Electrical Installation

Determine the appropriate mounting configuration for the dehydrator and ensure that the proper tools and mounting hardware are available. Additionally, ensure that an appropriate AC power connection (115 V ac or 230 V ac) is available and the dehydrator has been set to the appropriate voltage configuration. The voltage selection switch is located between the alarm terminals and the power entry module (see image below).



A terminated North American power cord and an un-terminated, harmonized, stripped leads power cord are both included with these dehydrators. The IEC connector will connect to the power entry module's IEC power inlet shown in the image above. For applications outside of North America, the appropriate power connector for each country should be used for connecting to the power source. An electrical safety ground should be connected to the external ground stud on the rear of the unit. This ground stud is typically connected to a halo grounding system. It is recommended that circuit protection of at least 15 Amps be used for each installed dehydrator.

For DC power options, an additional DC to AC power inverter kit will be required. The inverter kits convert from either 24 or 48 V dc to 115 V ac, so dehydrator **MUST** be set to 115 volts for proper inverter operation. The inverter kits are listed below.

- AE01K-D0773-124 - 24 Volt DC to 115 Volt AC power inverter kit
- AE01K-D0773-148 - 48 Volt DC to 115 Volt AC power inverter kit

### CAUTION:

Proper electrical connection is required. It is suggested a licensed electrician be contracted to connect the AC wiring to the unit, if it is connected directly to the mains. Failure to properly connect the power wires could result in a dangerous electrical shock hazard.

### CAUTION:

This unit is designed for connection to a single phase power source. Connection to a 3 phase power source will cause significant damage to internal components.

# Installation Instructions

MT500D

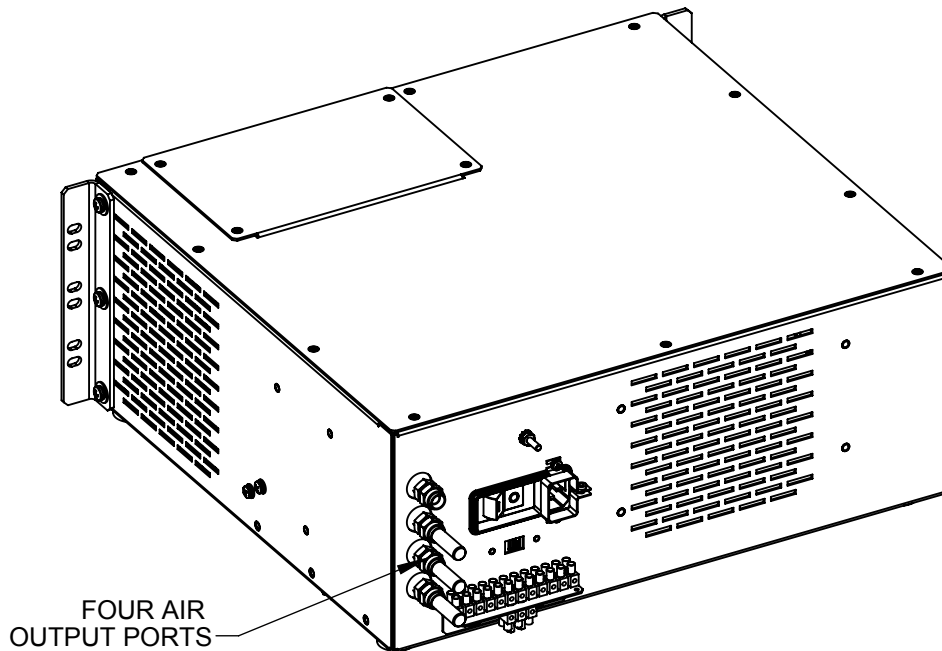
Bulletin AE01B-A0599-002 page 7 of 14

Version 00 Status 00 Rev A

Model Version 03 Status RE Rev A

## 2.4 - Mechanical Installation

Once the electrical connections are completed, turn on the dehydrator to verify that it turns on and has air flow at the output air ports. The dehydrator must be run without being connected to a closed air volume for at least 45 minutes prior to connection to the transmission lines. Before connecting the dehydrator to the transmission lines, verify the pressure rating of the transmission system.



Every dehydrator comes with the required accessories for standard installations. The dehydrator installation kit includes the following components.

- North American Power Cord (x1)
- International Power Cord (x1)
- 1/8" NPT Straight Connector for 3/8" PE Tubing (x4)
- Right Angle M/F 1/8" NPT Fitting (x4)
- #10-32 Screws (For standard rack installation) (x4)
- PTFE Tape (1 roll)
- PE Tubing (100 feet, 30.5 m)

The dehydrator comes with 100 feet (30.5 m) of polyethylene (PE) tubing. If all four output ports are being used, there is 25 feet (7.6 m) of tubing available per port. Additional tubing is available in the following kits.

- AE01K-D0840-025 - 25 foot (7.6 m) PE tubing bundle
- AE01K-D0840-050 - 50 foot (15.2 m) PE tubing bundle
- AE01K-D0840-100 - 100 foot (30.5 m) PE tubing bundle
- AE01K-D0840-132 - 132 foot (40 m) PE tubing bundle
- AE01K-D0840-500 - 500 foot (152.5 m) PE tubing bundle

The fittings included in the installation kit are designed to work with this tubing. The included fittings will attach to the waveguide pressure ports and the tubing shall be run between these fittings and the dehydrator output ports. In addition to the power cord, grounding wiring and output ports connections, the alarm terminals should be wired either NO or NC per the details in section 1.4. The transmission lines must be purged of any latent moisture in them. The following section details the procedure for properly purging the system.

# Installation Instructions

**MT500D**

Bulletin AE01B-A0599-002 page 8 of 14

Version 00 Status00 Rev A

Model Version 03 StatusRE Rev A

## **2.5 - Purging the Transmission Lines**

Air in the transmission line system must be replaced with dry air to ensure satisfactory operation of the transmitted signal.

1. Determine the total system volume.
2. Divide the system volume by the flow rate of the dehydrator 3.4 SLPM (0.12 SCFM) to determine the number of hours needed for the purge cycle.
3. Open the far end of the transmission line.
4. Operate the dehydrator for a minimum three purge cycles. If possible, operate for 12 purge cycles to completely dry the line.

If it is not possible to open the far end of the transmission line, follow these steps:

1. Connect the dehydrator to the transmission line and pressurize the system. The system pressure should reach 21 kPa (3.0 psig).
2. Wait 15 minutes while the air absorbs moisture in the system, then disconnect the dehydrator from the transmission line and allow the air to vent.
3. Repeat steps 1 and 2 twelve times to purge the system.



# Installation Instructions

MT500D

Bulletin AE01B-A0599-002, page 9 of 14

Version 00 Status00 Rev A

Model Version 03 StatusRE Rev A

## Section 3 - Maintenance

### 3.0 - Maintenance

The MT050C Dehydrator requires relatively little maintenance to ensure satisfactory operation over long periods of time. This section outlines the recommended annual preventive maintenance for the unit and the suggested overhaul for every 6000 hours of compressor operation.

#### 3.1 - Regular Maintenance

The MT050B Dehydrator will perform at an optimum if it is routinely checked for correct performance. This checking generally consists of an annual inspection of the condition of the air intake filter and an overhaul after every 6000 hours of compressor operation. Performance of these measures is sufficient to ensure continued reliable operation.

#### 3.2 - Preventive Maintenance

The annual maintenance of a MT050C consists of a preventative maintenance inspection of the dehydrator and replacement of the foam air intake filter. This task can easily be performed in the field with the unit connected to the transmission line system and with only the main cover removed for maintenance.

#### 3.3 - Filter Element Replacement

Periodically, the air intake filter on the compressor will require replacement. The air intake filter protects the compressor from contamination and dust. Periodic replacement extends the life of the compressor. To gain access to the element, push in on the cover and rotate the housing approximately 1/4 turn CCW. The filter is made of a fibrous material and should be replaced once a year (or more frequently, if the operating environment is very dusty). Remove old filter and discard. Ensure the new filter is seated completely in the housing and then replace the cover.

When the unit is inspected, the coalescing filter elements should be checked. If they appear discolored or have material buildup, they should be replaced.

#### 3.4 - Annual Inspection

Inspection includes checking for loose or damaged hoses, fittings and electrical connections. Remove the cover and verify that there is not excessive water build-up in the two filter bowls. There may be some droplets of water in the filter bowls (the lower portion of each bowl), but there should be only a small amount of liquid in either bowl. If there is excessive water, refer to the troubleshooting section 4. Replacement of the filter elements in the coalescing filters are covered in the overhaul section of their respective replacement kits.

##### 3.4.1 Check the electrical connections.

Check the screw at the power input connector to ensure that the ac power cord is securely terminated. Check the screw-in alarm terminals to ensure that all wire connections are tight. A loose or damaged connection may result in erratic operation and unnecessary downtime. Refer to the troubleshooting section if an electrical problem is encountered.

##### 3.4.2 Check the ground wire.

Check that an electrical safety ground is installed on the stud on the rear of the dehydrator. This connection point is adjacent to the power input connector. (It is intended to be customer installed in the field to the customer halo system).

##### 3.4.3 Check the hour meter

Check the hour meter in the display to help to determine the duty cycle of the dehydrator. If the dehydrator has been running for more than 20% of its installed time, check the systems for leaks. Also check the time on the meter to determine if it is time to perform the 6000-hour overhaul.

# Installation Instructions

MT500D

Bulletin AE01B-A0599-002 page 10 of 14

Version 00 Status00 Rev A

Model Version 03 StatusRE Rev A

## 3.5 Parts Replacement and Dehydrator Overhaul

COMMSCOPE MT500D dehydrators are designed to give many years of trouble-free service and require very minimal maintenance. The dehydrator contains, as a standard feature, an electronic hour meter that records compressor run hours. To ensure continuous and reliable operation, the dehydrator must be overhauled every 6000 hours of compressor operation. The overhaul kit, listed below, contains all of the necessary parts to perform this overhaul. The dehydrator overhaul kit includes parts to overhaul the compressor and critical components in the dehydrator that often become worn over time.

### 3.5.1 In Case Of Difficulty:

If the dehydrator is not operating, refer to [Section 2](#) on Installation and [Section 4](#) on Troubleshooting the unit.

### 3.5.2 Tools

The following tools are used in the maintenance and overhaul procedures.

- Adjustable open-end wrench
- Allen wrench 5/32
- #2 Phillips screwdriver
- Small flat-blade screw-driver

### 3.5.3 Overhaul Procedure

When the MT500D compressor run time reaches 6000 hours (or a multiple of 6000 hours) it is time to replace certain items in the compressor and the air path of the dehydrator. These include the piston cups, piston seals and head gaskets of the compressor, the filter elements in the water and coalescing filters, and the tube section connecting the compressor output to the coalescing filter input.

### 3.5.4 Unit Shutdown and Removal

In order to perform an overhaul on the MT500D, the unit must be turned off, power removed and removed from service. As this is being done, the low pressure alarm may active through a reporting alarm system. Personnel monitoring such an alarm should be notified in advance so that they are aware of the fact that service is being performed. It is also necessary to disconnect the dehydrator dry air output from the waveguide system during the overhaul.

### 3.5.5 Remove the compressor for overhaul

To remove the compressor, open the cover panel of the unit.

1. Disconnect the compressor wiring (6-pin connector) from control board.
2. Disconnect the tubing from the output of the compressor. The tubing and hose clamp can be discarded as replacements are provided in the compressor overhaul kit.
3. Remove the four compressor screws from the bottom and front of the dehydrator. Remove the compressor from the chassis. Remove the brackets that cover the compressor head.
4. Follow the instructions included in the compressor overhaul kit. When the overhaul is complete, reinstall in reverse order.

## 3.6 Service Restoration

### RECOMMENDATION:

If the dehydrator overhaul process has taken more than a few hours, it is recommended that the unit be run for one hour without being connected to any closed air volume in order to purge the membrane dryer and tank of any accumulated moisture. If the transmission lines have been exposed to ambient air and/or have not retained their system pressure, it is also recommended that the lines be purged.

# Installation Instructions

MT500D

Bulletin AE01B-A0599-002 page 11 of 14

Version 00 Status00 Rev A

Model Version 03 StatusRE Rev A

## Section 4 - Troubleshooting

If you experience difficulty with your dehydrator, use the troubleshooting procedures described below.

**Caution: Electrical troubleshooting requires access to potentially dangerous voltages and should only be performed by a licensed electrician.**

Problem/Condition	Solution
Dehydrator display does not light, unit does not run	If the display fails to light, make sure the unit is plugged in and the power outlet is operating.
	If the display is still not illuminated, unplug the unit, remove the cover and check internally for loose connections.
	Check that the proper AC voltage is being supplied to the dehydrator.
Low Pressure Alarm Activated	Cap the unit output and observe the dehydrator pressure on the display. The pressure should read approximately 21 kPa (3.0 psig) and the low pressure alarm should clear. If the low pressure alarm does not clear, remove the cover and verify that tubing and wiring connections are secure.
	If the pressure does not stay constant after shutting off the valve, apply leak detector to isolate the leak in the dehydrator. Exercise care when applying solution to avoid wetting electrical components.
	Isolate the dehydrator from the transmission lines. If possible, close off the transmission lines and observe the system pressure(s). If the pressure in the transmission lines drops while isolated, there is a leak in the system. Repair the transmission line leaks if possible.
Compressor does not run	Verify that there is power to the unit and the display is lit. Toggle the power switch.
	Verify that the input voltage matches the voltage selection switch setting.
Filter Bowls show excessive water	Ensure that the drain line tubing connected between the filter bowls and the drain solenoid is not clogged. When the compressor cycles off, air and moisture will flow through this hose. It can be heard easily at the end of each compressor cycle.
	If solenoid does not vent, verify voltage condition changes when the compressor shuts off.

# Installation Instructions

MT500D

Bulletin AE01B-A0599-002, page 12 of 14

Version 00 Status00 Rev A

Model Version 03 StatusRE Rev A

## Section 5 - Replacement Kits

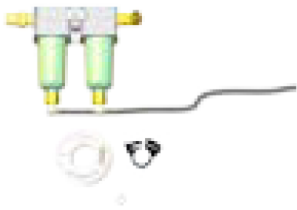
Go to [commscope.com](http://commscope.com) eCatalog for the most current parts available for your dehydrator.  
<http://awapps.commscope.com/catalog/andrew/catalog.aspx>



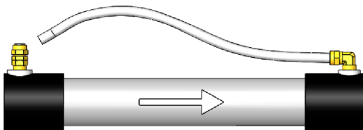
**MT-OVERHAUL** - Compressor overhaul kit for MT050C and MT500D dehydrators. Includes compressor overhaul kit, output tubing, hose clamps, replacement coalescing filters and replacement compressor air intake filter.



**MT-ELEMENTS** - Filter element replacement kit for MT050C and MT500D. Includes two each of compressor air intake filters, 1.0 micron coalescing filter elements and 0.01 micron coalescing filter elements.



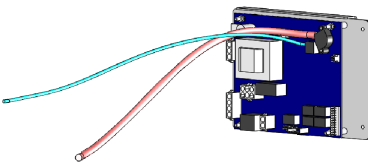
**MT-FILTERS** - Coalescing filter bowl assembly replacement kit for MT050C and MT500D. Includes a new filter assembly and installation accessories.



**MT-DRYER** - Membrane dryer tube replacement for MT050C and MT500D. Includes dryer tube, fittings and installation instructions.



**MT-SOLENOID** - Solenoid drain valve replacement for MT050C and MT500D. Includes new solenoid valve, fittings, tubing, PTFE tape and hose clamps.



**MT-CONTROLLER** - Control board replacement for MT050C and MT500D. Includes control board, keypad, mounting plate and mounting hardware.

# Installation Instructions

MT500D

Bulletin AE01B-A0599-002 page 13 of 14

Version 00 Status00 Rev A

Model Version 03 StatusRE Rev A

## Section 6 - Customer Service

### 6.0 - Introduction

COMMSCOPE provides in-warranty and out-of-warranty repairs as well as dehydrator and compressor overhauls from several Repair Centers. Coordination of these services is provided through the nearest Sales Office or Customer Service Center. The Repair Center is also prepared to help you with the following:

- Technical Assistance
- Troubleshooting
- Repairs
- Loaner Units (if available)
- Spare Parts
- Installation Materials
- System Accessories

### 6.1 - In Case of Trouble

The first step you should take if trouble develops using a dehydrator is to read the operators manual and follow the trouble isolating procedures given in it. If the steps in the manual do not identify and remedy the problem, then contact a COMMSCOPE Customer Service Center for 24- hour telephone assistance. Record the Model Number (e.g. MT050B) and Serial Number from the product label, as you will be asked for these when you call. Two main locations are currently available to help:

From NorthAmerica  
Telephone: 1-800-255-1479  
Fax (U.S.A.): 1-800-349-5444

International  
Telephone: +1-779-435-6500  
Fax Number: +1-779-435-8579

Web Access Internet: [www.commscope.com](http://www.commscope.com)

email: [#prc@commscope.com](mailto:#prc@commscope.com)

### 6.2 Initial Steps by COMMSCOPE

When your call, fax or email communication is received, the COMMSCOPE staff will work with you to pinpoint the possible cause of trouble. If the pressurization equipment is suspect, they will:

- ask for your unit Model Number and Serial Number
- check the warranty status of the unit
- advise the availability of a loaner unit
- if the unit is out-of-warranty, provide an estimate of the cost for inspection and repairs
- fax a Return Material Authorization sheet to you

# Installation Instructions

MT500D

Bulletin AE01B-A0599-002 page 14 of 14

Version 00 Status00 Rev A

Model Version 03 StatusRE Rev A

## 6.3 Repair Center Process

**A method of Payment must be provided prior to issuing of Return Material Authorization (RMA) regardless of warranty status.**

**IN-WARRANTY REPAIR:** Most COMMSCOPE pressurization products carry a warranty of one to three years, depending upon model number. Warranty details are available on our web page. If your unit falls within its warranty period, inspection and repairs will be performed at no charge and the unit will be promptly returned to you. If a warranty unit is deemed no problem found an inspection fee and freight will be charged to the customer.

**OUT-OF-WARRANTY REPAIR:** We will inform you with the cost of repair and obtain your approval to proceed with repairs or, if you elect not to have the unit repaired, your instructions on disposition of your unit. When repairs are complete, we will return your unit and invoice you for the inspection charge, materials used for the repair and labor applied to complete the repair. If you elected not to repair the unit, we will invoice you for the inspection plus freight charges if unit is to be returned.

**LOANER UNITS:** Loaner units may be available from the repair center to maintain your system while repairs are being performed. If you feel you need a loaner, please contact us at one of the numbers listed under contact numbers. A purchase order (P.O.) for the full value of the unit must be issued prior to shipment. Also, contact us when the loaner is ready to be returned so that we can issue a new RMA number to identify your return and create the appropriate credit to your account. Damages to loaner will be deducted from the P.O.

**PACKING INSTRUCTIONS:** Pack your unit securely for shipment to the Repair Center. If you received a loaner unit, we suggest you use the box and packing materials to return your unit. Otherwise we have factory packing materials available for a nominal fee. Enclose a completed copy of this form inside the box and clearly mark your Company Name and RMA: XXXXXXXX on outside of the box. Address the box to the following ship-to address:

COMMSCOPE PRESSURIZATION SERVICE CENTER  
RMA# XXXXXXXX  
11312 S. PIPELINE RD.  
EULESS, TX. 76040-6629

**Please note, units received with biological/animal contamination will be returned unrepaired or scrapped after notification and you will be invoiced for inspection and freight.**

**CONTACT NUMBERS:** If you have any questions about the repair process or status of your unit, please contact us directly through one of the following methods:

TEL: 817-864-4150  
817-864-4155  
FAX: 817-864-4179  
Email: #prc@commscope.com

## 6.4 RoHS Inquiries

For inquiries on RoHS please contact the following:

CommScope Inc.  
Corke Abbey, Bray Co.,  
Dublin, Ireland  
Attn: Legal Department