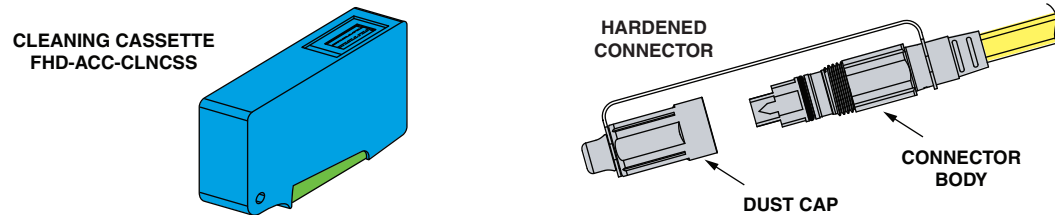


DROP CABLE HARDENED CONNECTOR & HARDENED ADAPTER



Use the following procedure for cleaning the hardened drop connector using the hardened connector/adapter cleaning kit (accessory kit FDH-ACC-CLNKIT1). Refer to the Multi-Fiber Service Terminal User Manual (ADCP-96-040) for additional information.

Danger: *Infrared radiation is invisible and can seriously damage the retina of the eye. Do not look into the ends of the optical connectors or adapters or exposure to laser radiation may result. Use an optical power meter to verify if an optical signal is present. Do not assume the laser power is turned-off or that the fiber is disconnected at the other end. The dust cap MUST be immediately placed over any radiating optical connector to avoid the potential of dangerous amounts of radiation exposure. This practice also prevents dirt particles from entering the connector.*

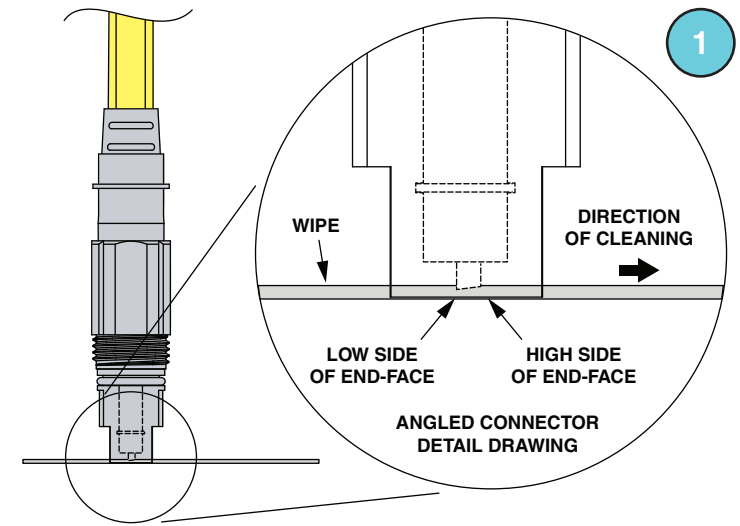


1. If the connector has been in use, clean the connector body, preferably using compressed air, to minimize contaminants introduced to the ferrule.
2. Unscrew connector from its optical port or unscrew dust cap from the end of the connector.
3. Examine the end of the connector and determine which is the high side and which is the low side of the connector end-face as shown in Figure 1.
4. Open the tape shutter by squeezing the lever on the underside of the cassette and then keep the shutter open by continuing to squeeze the lever.
5. Hold the end-face of the connector perpendicular to the cleaning tape and with the **high side** of the connector pointing in the direction of cleaning as shown in Figure 2.

Note: Do not use alcohol to clean the endface of the connector.

6. With **light pressure**, slide the connector end-face once across the tape in the direction shown using a smooth linear motion. Do not press too hard and do not repeat the cleaning motion with the same tape.
7. Release the lever on the underside of the cassette to close the tape shutter.
8. Repeat steps 3 through 6 until the connector has been cleaned three times.
9. When the connector is clean, reinstall the drop cable dust cap and tighten until finger tight.

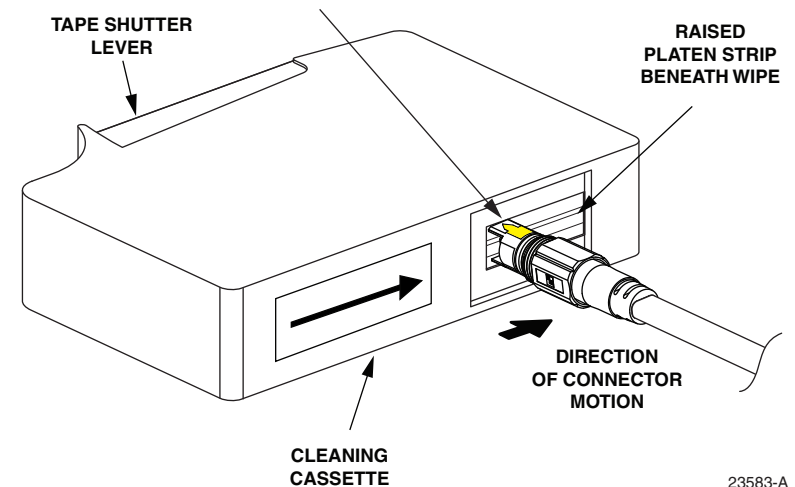
Note: Leave the drop cable dust cap on the connector until ready to connect the drop cable to an optical port.



NOTE: THE HARDENED CONNECTOR USES ANGLED SC CONNECTORS. MAKE SURE THE HIGH SIDE OF THE CONNECTOR END-FACE IS POINTING IN THE DIRECTION OF THE CLEANING MOTION.

2

THE CONNECTOR IS CORRECTLY ORIENTED FOR CLEANING WHEN THE ARROW (SHOWN IN YELLOW) IS POSITIONED AS SHOWN.



NOTE: REPEAT CLEANING PROCEDURE THREE TIMES USING A CLEAN TAPE FOR EACH PASS. RELEASE AND RE-SQUEEZE LEVER TO ADVANCE THE TAPE

23583-A

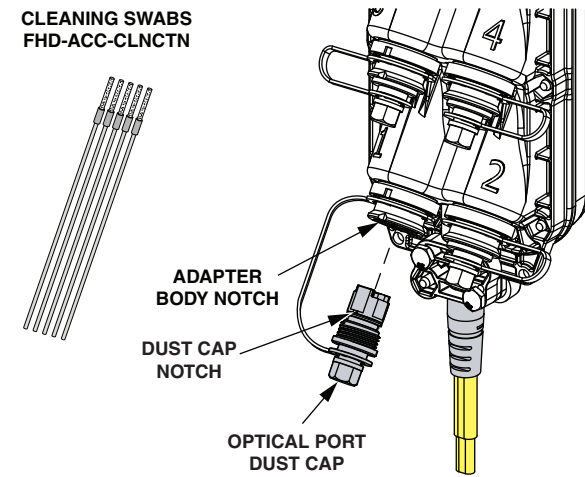
Use the following procedure for cleaning the hardened adapter using the hardened connector/-adapter cleaning kit (accessory kit FDH-ACC-CLNKIT1). Refer to the Multi-Fiber Service Terminal User Manual (ADCP-96-040) for additional information.

Danger: *Infrared radiation is invisible and can seriously damage the retina of the eye. Do not look into the ends of the optical connectors or adapters or exposure to laser radiation may result. Use an optical power meter to verify if an optical signal is present. Do not assume the laser power is turned-off or that the fiber is disconnected at the other end. The dust cap MUST be immediately placed over any radiating optical connector to avoid the potential of dangerous amounts of radiation exposure. This practice also prevents dirt particles from entering the connector.*

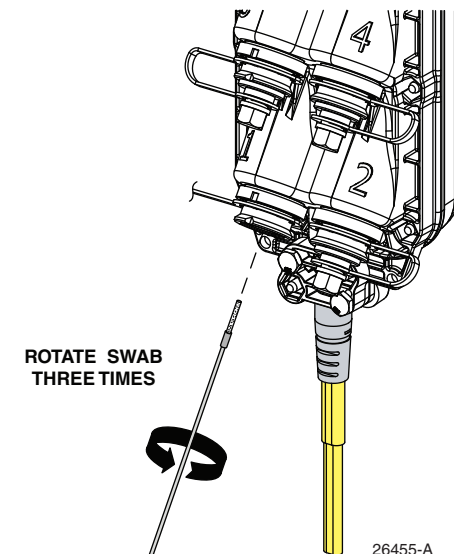


1. If the adapter has been in use, clean around the port opening, preferably using compressed air, to minimize contaminants introduced to the ferrule.
 2. Unscrew the connector from its optical port or using a 216B key tool unscrew the optical port dust cap from the adapter as shown in Figure 3.
 3. Insert a dry swab into the adapter as shown in Figure 4.
- Note:** Do not apply alcohol to the swab or to the adapter.
4. While applying **light pressure** against the connector end-face, rotate the dry swab 360° three times.
 5. Dispose of the dry swab after use.
 6. When the connector end-face and adapter ferrule are clean, connect the drop cable to the optical port or reinstall the optical port dust cap.
- Note:** The optical port is not sealed until a drop cable connector or optical port dust cap is mated to the port adapter.

CLEANING SWABS
FHD-ACC-CLNCTN



WHEN RE-INSTALLING DUST CAP, THE NOTCH ON THE DUST CAP MUST ALIGN WITH NOTCH ON ADAPTER BODY.



COMMScope®

COMMScope WEBSITE
<http://www.commscope.com>

PRODUCT PATENTS
<http://www.commscope.com/ProductPatent/ProductPatent.aspx>

PRODUCT SUPPORT
<http://www.commscope.com/SupportCenter>