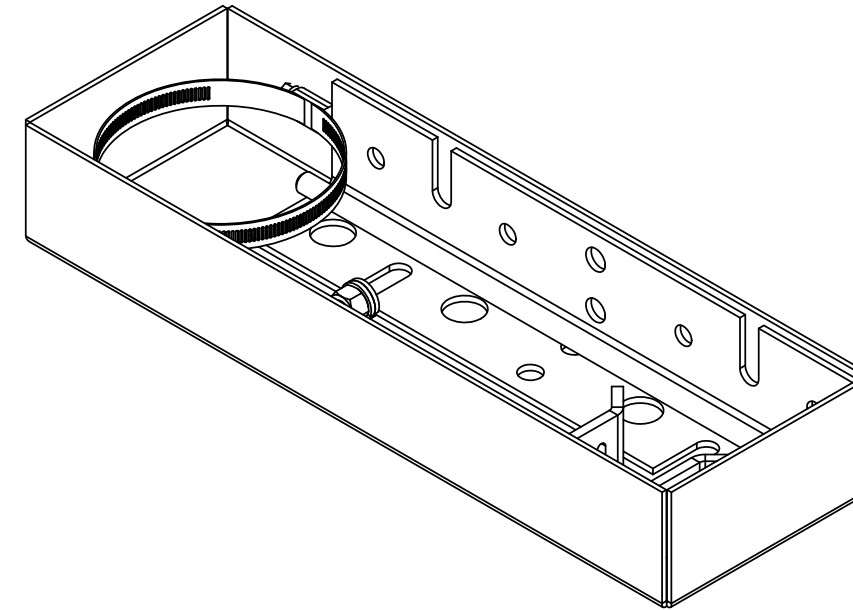


NOTES:  
 1.0 PUT ALL LOOSE HARDWARE IN POLYBAGS AS NEEDED.  
 2.0 PLACE DRAWING INTO BOX.

REVISIONS				
REV.	ECN	DESCRIPTION	BY	DATE
A	8000009882	INITIAL RELEASE	RJC	08/24/15
B	8000013755	CHG BOM	CEB	4/26/2016

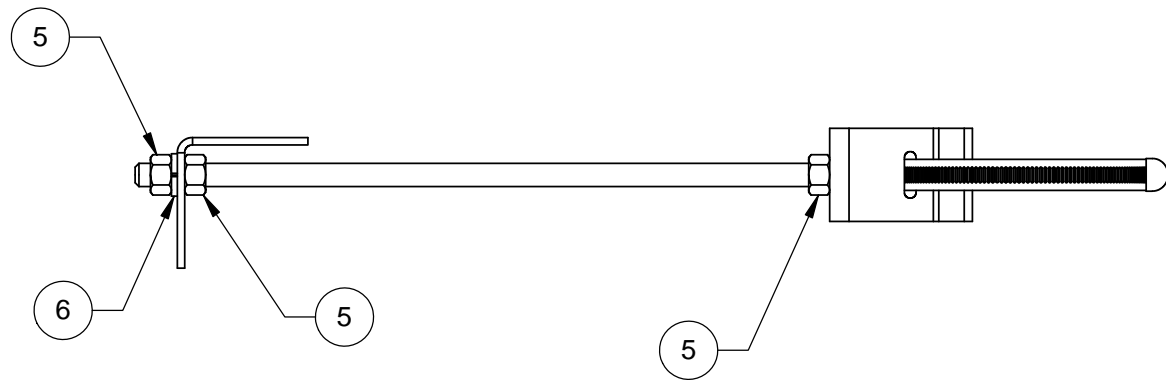
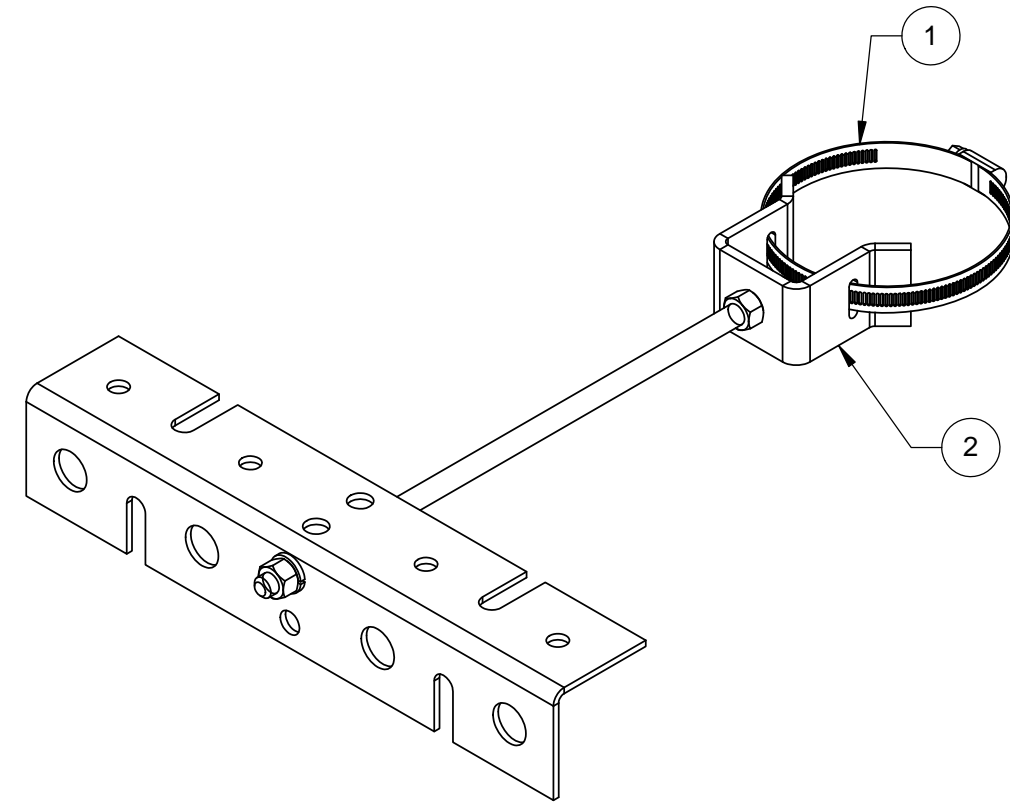
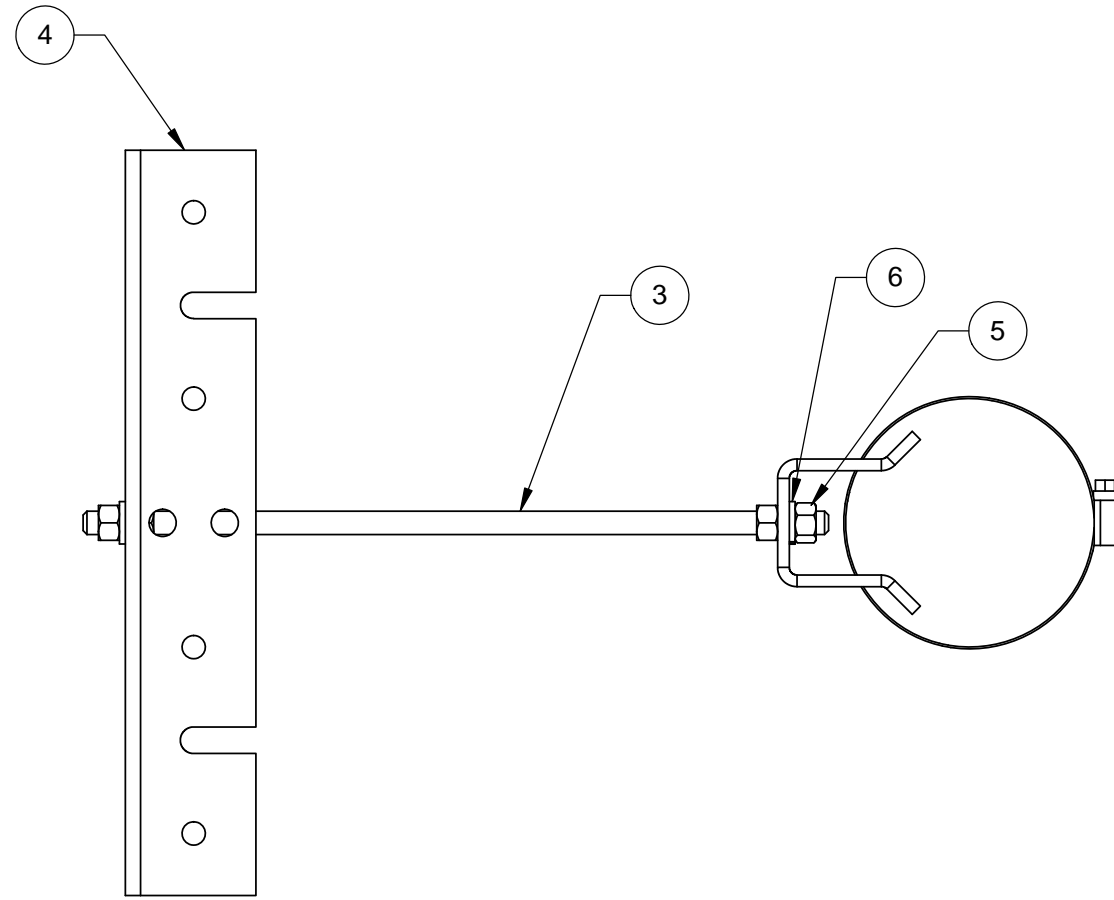


ITEM	PART NO.	DESCRIPTION	QTY.	WEIGHT	NOTE NO.
1	BXGB1	BOX KRAFT:14.50 X 4.5 X 2.25 (EA)	1	0.09 LBS	
2	HC152210	UNIVERSAL BAND CLAMP	1	0.08 LBS	
3	MTC3777B01	BRACKET	1	0.48 LBS	
4	MT-377	3/8" X 12" GALV THREADED ROD	1	0.37 LBS	
5	WBT123.02	12" HORIZONTAL TRAPEZE SECTION	1	1.46 LBS	
6	ACS4HB1	HARDWARE BAG FOR ACS-4	1	0.10 LBS	
7	DOCUMENT RECORD	INSERT DRAWING ACS-4 INTO BOX	1	-	2

DENSITY	0.11	lbs/in <sup>3</sup>
MASS	2.58	lbs
VOLUME	24.11	in <sup>3</sup>
SURFACE AREA		in <sup>2</sup>

<b>COMMSCOPE, INC. OF NORTH CAROLINA</b>											
TOLERANCES					SAP MATERIAL MASTER						
0 PLACE X ± .25		2 PLACE .XX ± .06			<b>ACS-4</b>						
1 PLACE .X ± .12		ANGLES ± 2°									
FINISH					MATERIAL						
<b>GALV A123</b>					<b>A36</b>						
<b>ANTENNA CABLE SUPPORT 4 HOLE</b>											
NAME		DATE		TITLE							
CE <b>RJC</b>		08/19/15		<b>ANTENNA CABLE SUPPORT 4 HOLE</b>							
RW											
RV				SCALE		DOCUMENT NO.					
AD				<b>1:2</b>		<b>ACS-4</b>					
RE <b>TP</b>		08/19/15									
ECN		<b>8000013755</b>									
SIZE		WORK AREA		MODEL		DRAWING					
<b>C</b>				VERSION		STATUS		REVISION		SHEET	
										<b>B</b>	

NOTES:



ITEM	PART NO.	DESCRIPTION	QTY.	WEIGHT	NOTE NO.
1	HC152210	UNIVERSAL BAND CLAMP	1	0.08 LBS	
2	MTC377B01	BRACKET	1	0.48 LBS	
3	MT-377	3/8" X 12" GALV THREADED ROD	1	0.37 LBS	
4	WBT123.02	12" HORIZONTAL TRAPEZE SECTION	1	1.46 LBS	
5	GN-03	3/8" GALV HEX NUT	4	0.02 LBS	
6	GWL-03	3/8" GALV LOCK WASHER	2	0.01 LBS	

COMMScope, INC. OF NORTH CAROLINA

TITLE  
**ANTENNA CABLE SUPPORT 4 HOLE**

SIZE **C** SCALE **1:2** DOCUMENT NO. **ACS-4**

DRAWING			SHEET 2 OF 2
VERSION	STATUS	REVISION	
		<b>B</b>	

© 2015 CommScope, Inc. Confidential