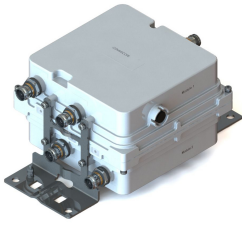


# E14F06P24

---



## Twin Diplexer, 700/800 MHz, dc by pass on all ports

- Designed for network Modernization, introduction of LTE700 on existing site
- New 4.3-10 connectors for improved PIM performance and size reduction
- Twin configuration
- DC/AISG passing on all ports

## Product Classification

**Product Type** Diplexer

## General Specifications

**Color** Gray

**Modularity** 2-Twin

**Mounting** Pole | Wall

**Mounting Pipe Hardware** Band clamps (2)

**RF Connector Interface** 4.3-10 Female

## Dimensions

**Height** 214 mm | 8.425 in

**Width** 216 mm | 8.504 in

**Depth** 138 mm | 5.433 in

**Mounting Pipe Diameter Range** 42.6–122 mm

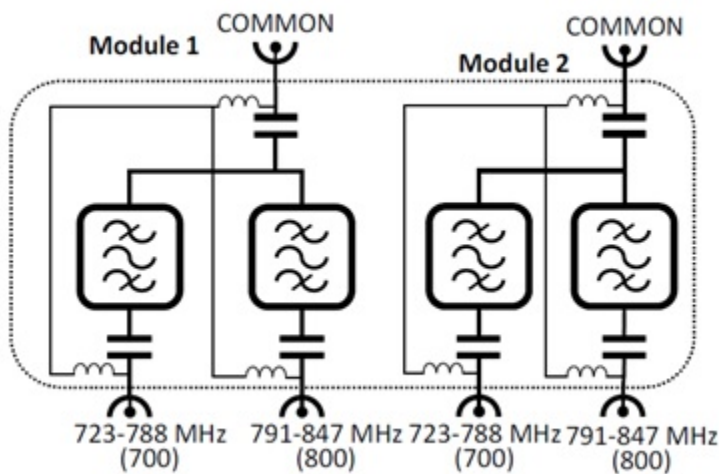
## Outline Drawing



# E14F06P24

Frequency Range, MHz	723–788	791–847
Insertion Loss, typical, dB	0.35	0.35
Return Loss, typical, dB	20	20
Isolation, minimum, dB	40	40
Input Power, RMS, maximum, W	200	200
Input Power, PEP, maximum, W	800	800
3rd Order PIM, typical, dBc	-162	-162
3rd Order PIM Test Method	2 x 20 W CW tones	2 x 20 W CW tones

## Block Diagram



## Environmental Specifications

Operating Temperature	-40 °C to +65 °C (-40 °F to +149 °F)
Corrosion Test Method	IEC 60068-2-11, 30 days
Ingress Protection Test Method	IEC 60529:2001, IP67

## Packaging and Weights

Included	Mounting hardware
Volume	6.4 L
Weight, net	5.5 kg   12.125 lb