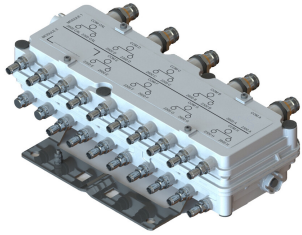


# E14F06P04



## Ultra Compact Octa Diplexer 2300-2400/2570-2595 MHz, No dc bypass

- Nex10 connectors on BTS side and 4.3-10 connectors on ANT side
- Industry leading PIM performance
- Ideal for small cell applications
- Compact form factor with reduced size and weight
- Suitable for space limited applications like Metro Cell, Lamp Pole and Concealment Solution
- Clam shell configuration

## Product Classification

**Product Type** Diplexer

## General Specifications

**Color** Gray

**Modularity** 8-Octa

**Mounting** Pole | Wall

**Mounting Pipe Hardware** Band clamps (2)

## Dimensions

**Height** 83 mm | 3.268 in

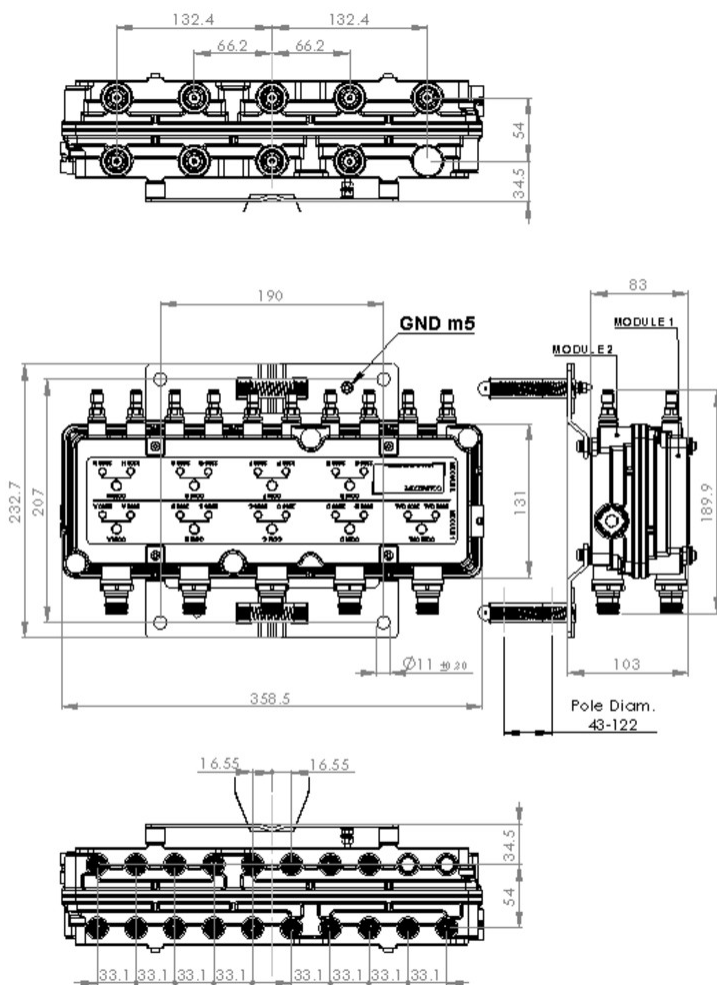
**Width** 358.5 mm | 14.114 in

**Depth** 131 mm | 5.157 in

**Mounting Pipe Diameter Range** 42.6–122 mm

## Outline Drawing

# E14F06P04



## Electrical Specifications

**Impedance** 50 ohm

## Electrical Specifications, dc Power/Alarm

**dc/AISG Pass-through Method** No dc/AISG pass-through

**dc/AISG Pass-through, combiner** dc/AISG blocking on all ports

**dc/AISG Pass-through, demultiplexer** dc/AISG blocking on all ports

**Lightning Surge Current** 5 kA

**Lightning Surge Current Waveform** 8/20 waveform

## Electrical Specifications

**Sub-module**

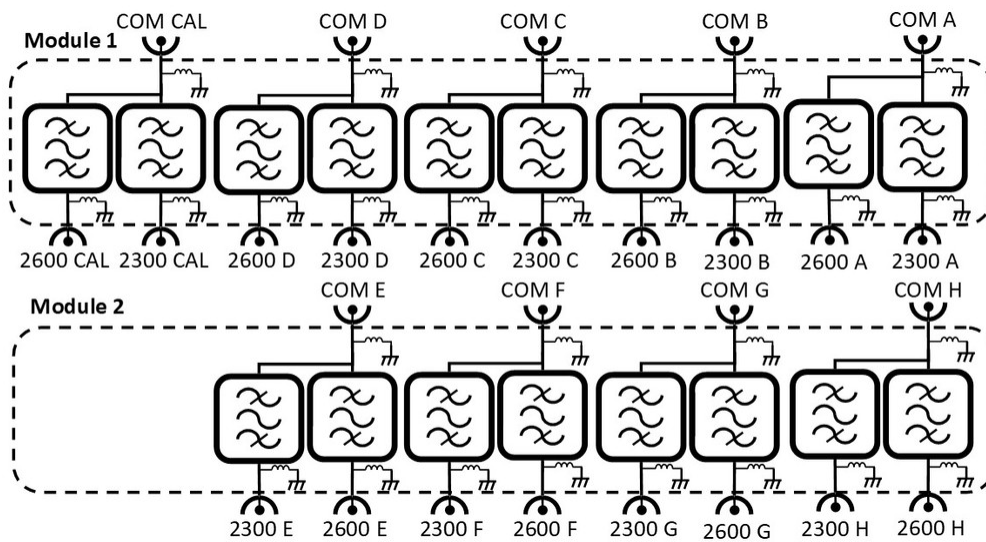
1 | 2

1 | 2

# E14F06P04

<b>Branch</b>	1	2
<b>Port Designation</b>	Port 2300-2400	Port 2570-2595
<b>Electrical Specifications, Band Pass</b>		
<b>Frequency Range, MHz</b>	<b>2300–2400</b>	<b>2570–2595</b>
<b>Insertion Loss, typical, dB</b>	0.2	0.3
<b>Return Loss, typical, dB</b>	20	19
<b>Isolation, typical, dB</b>	35	35
<b>Input Power, RMS, maximum, W</b>	100	100
<b>Input Power, PEP, maximum, W</b>	500	500
<b>3rd Order PIM, typical, dBc</b>	-155	-155
<b>3rd Order PIM Test Method</b>	2 x 20 W CW tones	2 x 20 W CW tones

## Block Diagram



## Environmental Specifications

<b>Operating Temperature</b>	-40 °C to +65 °C (-40 °F to +149 °F)
<b>Corrosion Test Method</b>	IEC 60068-2-11, 30 days
<b>Environmental Test Method</b>	ETSI EN 300 019-1-4
<b>Ingress Protection Test Method</b>	IEC 60529:2001, IP67

## Packaging and Weights

<b>Included</b>	Mounting hardware
-----------------	-------------------

# E14F06P04

---

<b>Volume</b>	3.9 L
<b>Weight, net</b>	6.3 kg   13.889 lb
<b>Weight, without mounting hardware</b>	5.8 kg   12.787 lb