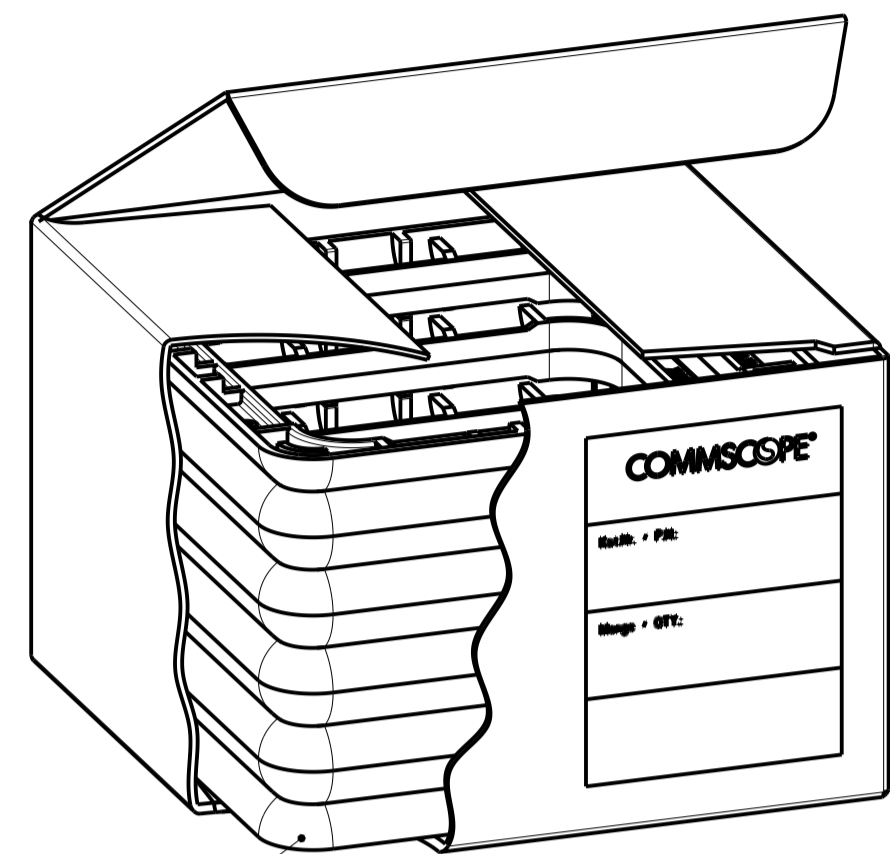
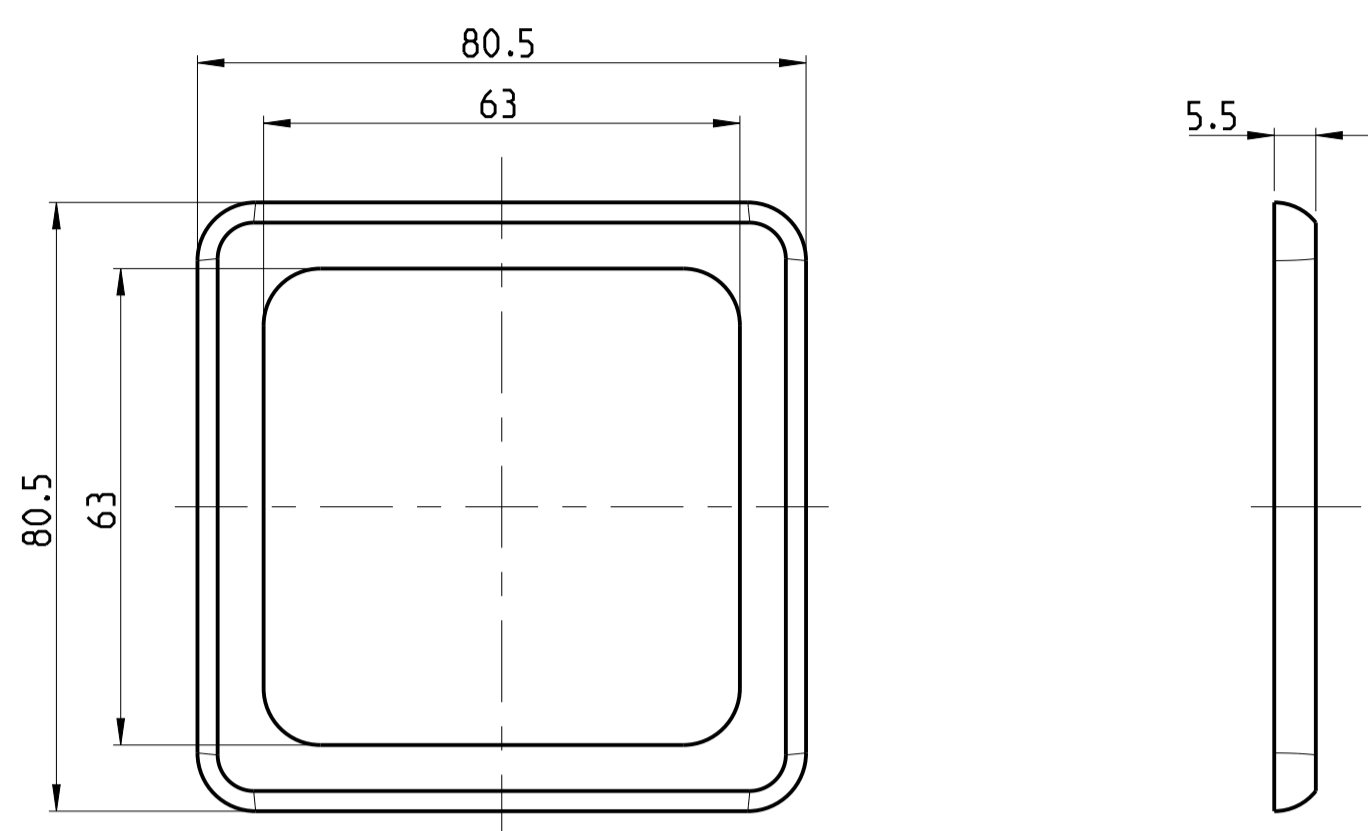
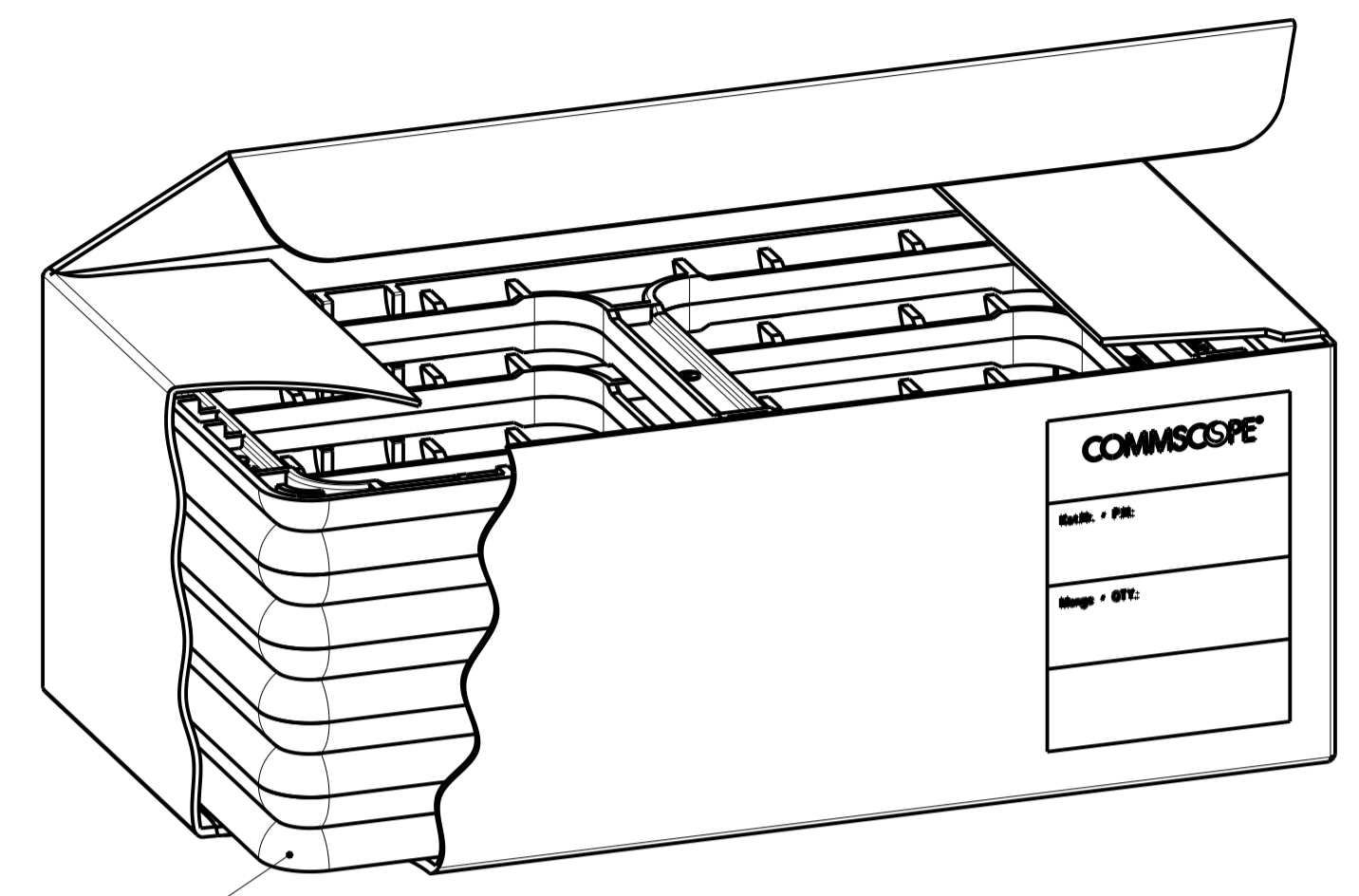


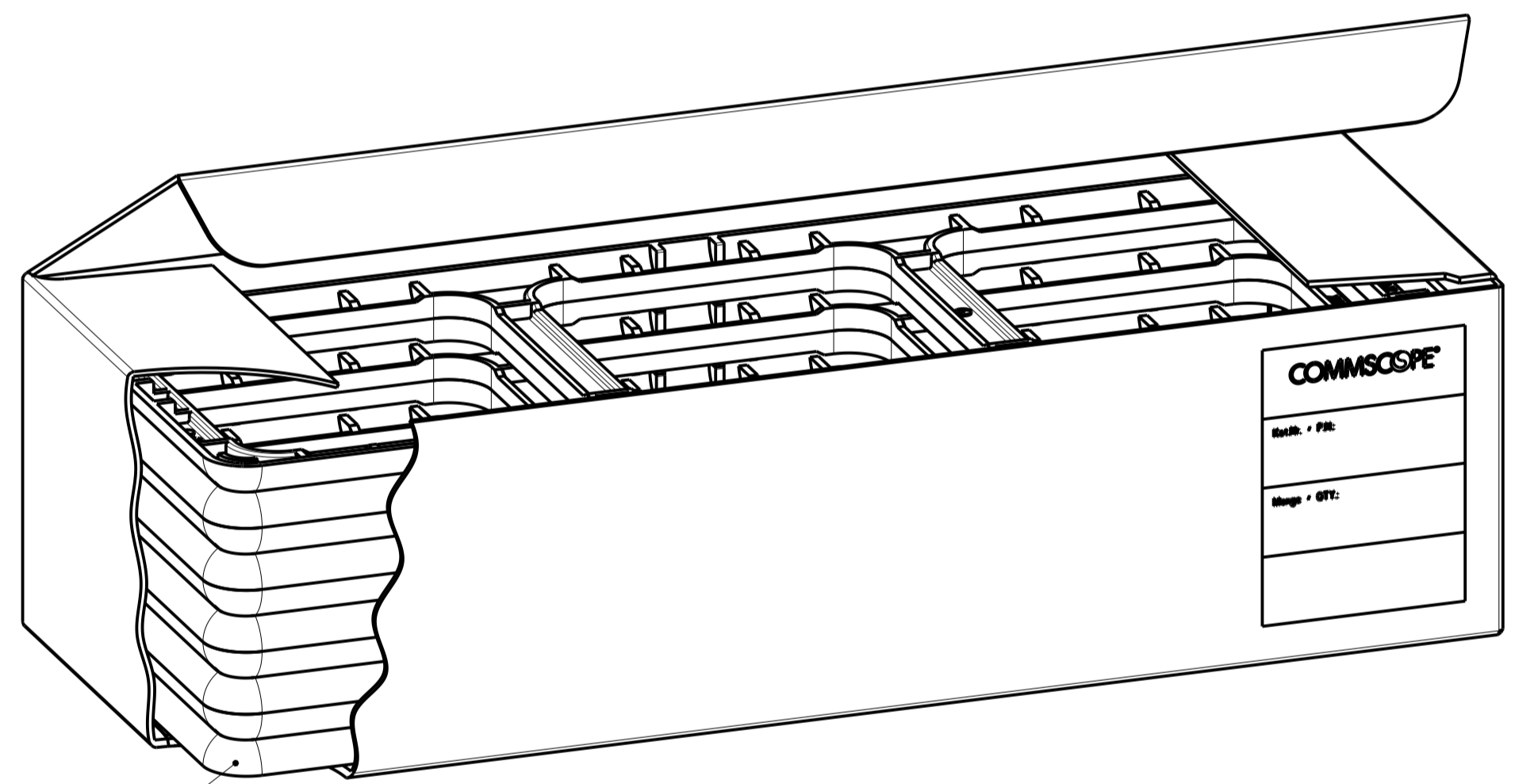
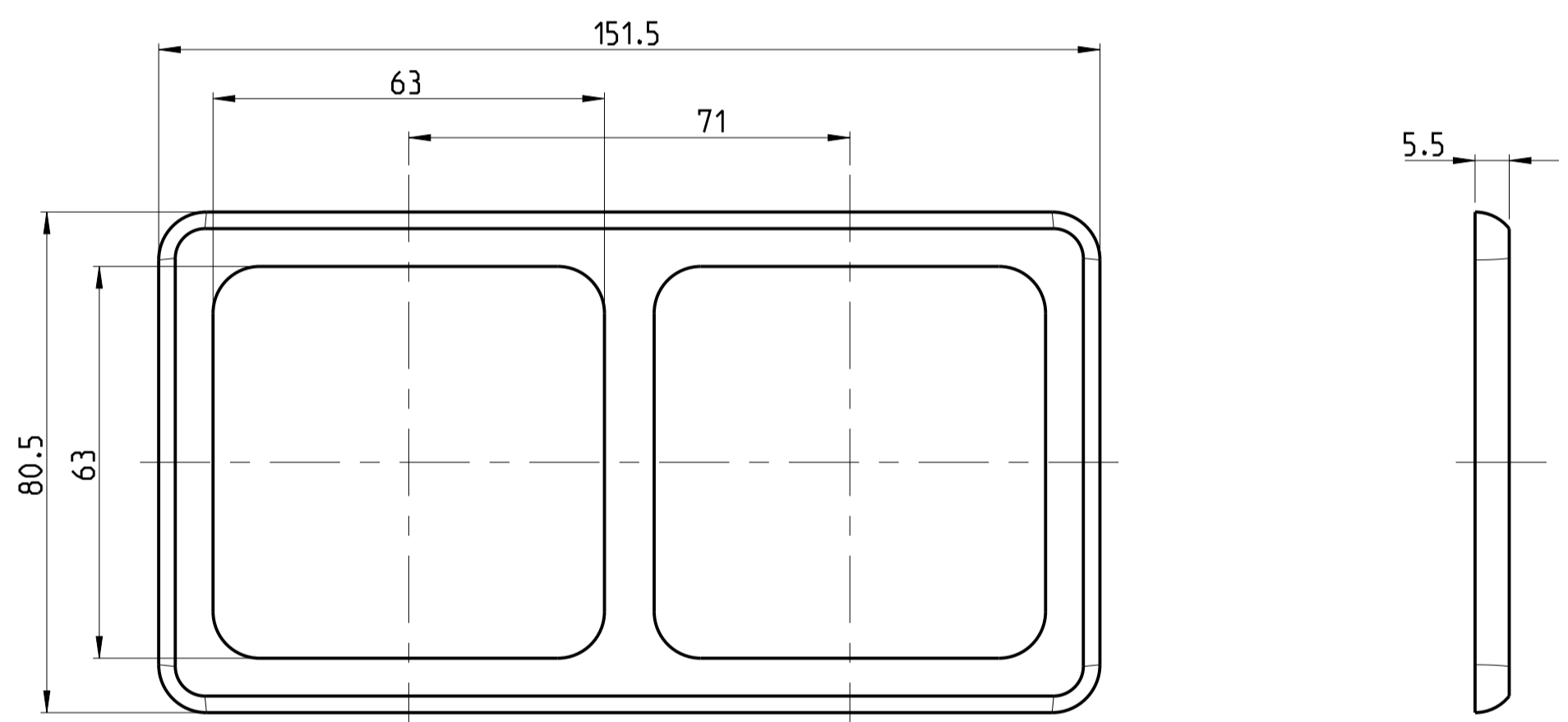
REVISIONS				
P	LTR	DESCRIPTION	DATE	APVD
A2		UPDATED DRAWING ECOC	05FEB2007	RM JS
A3		ECR-15-000755	22APR2015	LC JS
B		REV PER ECN 8000019139	26JAN2017	GG LS



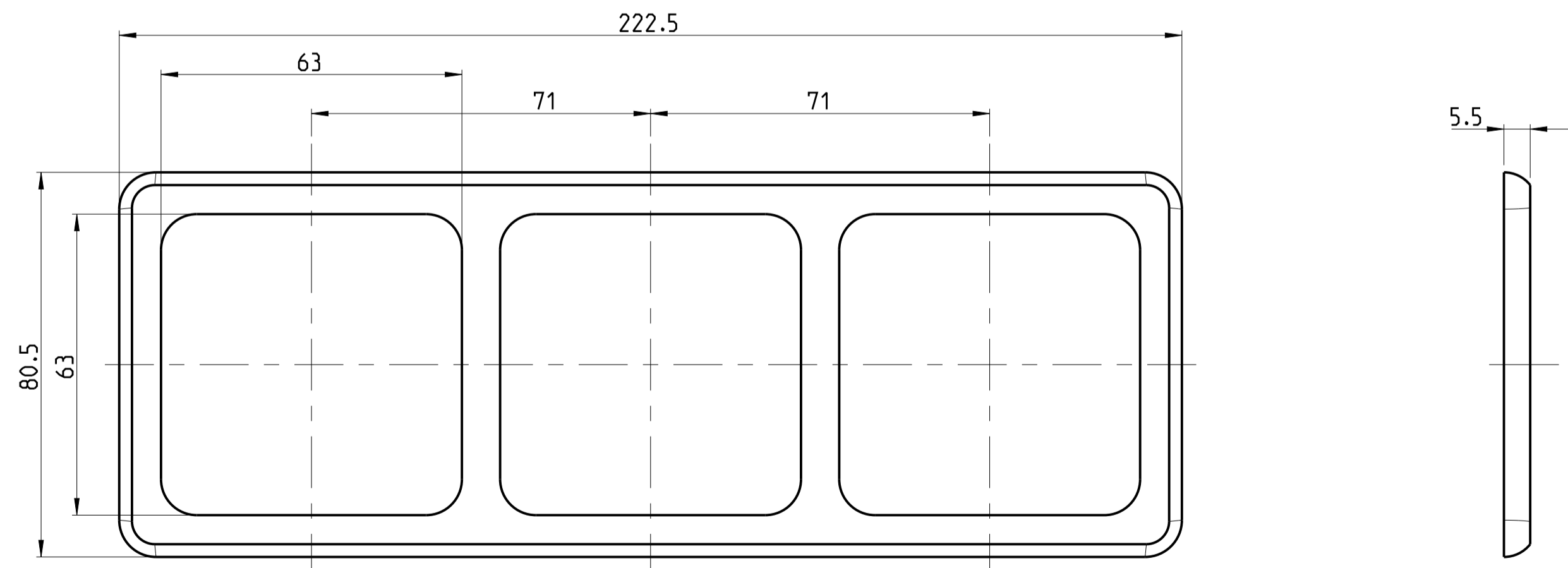
964830-1
 1-964830-1
 2-964830-1



964830-2
 1-964830-2
 2-964830-2



964830-3
 1-964830-3
 2-964830-3



PACKAGING
 10 PIECES PACKED INTO
 NEUTRAL CARDBOARD BOX
 PROVIDED WITH LABEL

COLOUR	DESCRIPTION	PART NUMBER
WHITE, RAL 9010	SINGLE DIN COVER	2-964830-1
ALMOND, RAL 1013	SINGLE DIN COVER	964830-1

THIS DRAWING IS A CONTROLLED DOCUMENT.		DWN R. MATED	05FEB2007	COMMSCOPE, INC. NAME DIN COVER SIZE CAGE CODE DRAWING NO A 1 - C=964830 RESTRICTED TO -
DIMENSIONS:		CHK A. CARRERAS	05FEB2007	
TOLERANCES UNLESS OTHERWISE SPECIFIED:		APVD J. SANABRA	07FEB2007	
mm		PRODUCT SPEC		
0 PLC ± 1 PLC ± 2 PLC ± 3 PLC ± 4 PLC ± ANGLES ± FINISH -		APPLICATION SPEC		
MATERIAL PC		WEIGHT		Customer Drawing
SCALE 1:1		SHEET 1 OF 1		REV B