

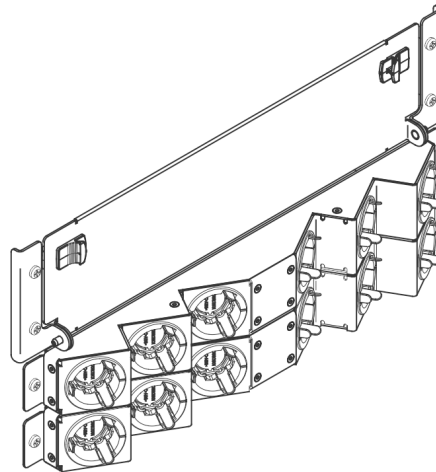
SYSTIMAX® Fiber Shelf Rear Cable Extension Kit

General

The **SYSTIMAX®** fiber shelf rear cable extension kit adapts the HD and UHD fiber optic combination shelves for rear cable entry. These kits can expand cabling capacity of the shelf up to six cable entries for 1U, 2U, and 4U shelves, or up to twelve cable entries for the 4U shelf.

Ordering information is listed below:

Material ID	Part No.	Description
760207944	HD-1U-REAR-EXT	1U Fiber shelf rear extension - 6 cable entries
760209627	HD-2U-REAR-EXT-06-KIT	2U Fiber shelf rear extension - 6 cable entries
760209981	HD-4U-REAR-EXT-06-KIT	4U Fiber shelf rear extension - 6 cable entries
760209999	HD-4U-REAR-EXT-12-KIT	4U Fiber shelf rear extension - 12 cable entries



4U Fiber Shelf Rear Cable Extension Kit

How to Contact Us

- To find out more about **CommScope®** products, visit us on the web at www.commscope.com/
- For technical assistance:
 - Within the United States, contact your local account representative or technical support at 1-800-344-0223. Outside the United States, contact your local account representative or **PartnerPRO™** Network Partner.
 - Within the United States, report any missing/damaged parts or any other issues to **CommScope** Customer Claims at 1-866-539-2795 or email to claims@commscope.com. Outside the United States, contact your local account representative or **PartnerPRO** Network Partner.

Tools Required

- Phillips-head screwdriver

Parts List

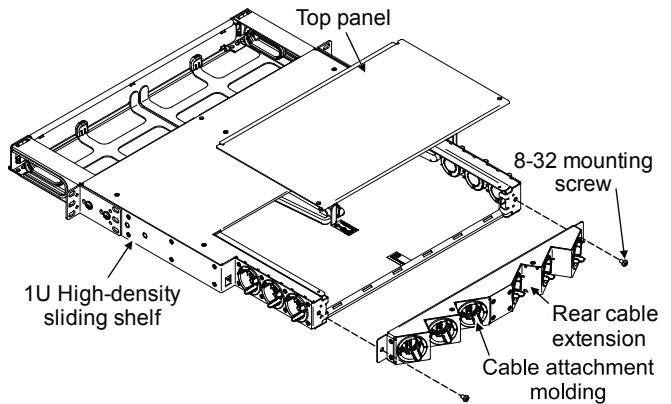
Verify parts against the parts list below:

HD-1U Kit 760207944	Quantity			Description
	HD-2U Kit 760209627	HD-4U Kit 760209981	HD-4U Kit 760209999	
6	6	6	12	Cable attachment molding
1	1	1	2	Rear cable extension
1	–	–	–	Removable top panel
–	–	1	1	2U rear door
–	–	1	1	LH hinge bracket
–	–	1	1	RH hinge bracket
–	1	1	–	1U blank plate
2	4	8	8	#8-32 Phillips-head mounting screws
1	1	1	1	Instruction sheet

Install Rear Cable Extension Kit

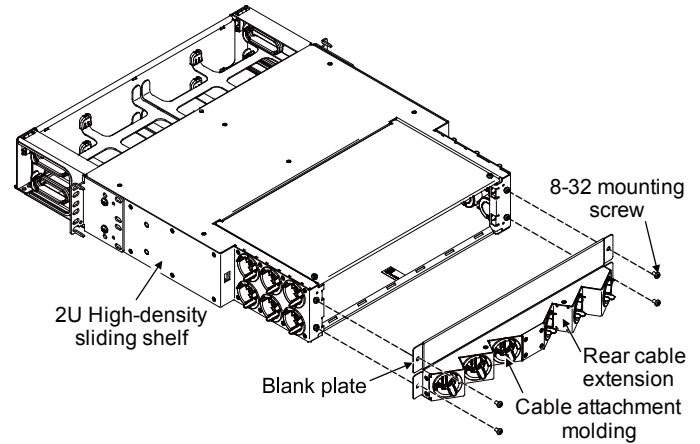
760207944 HD-1U REAR-EXT 1U Rear cable extension - 6 cable entries

- HD-1U shelf top/rear cover is a one piece unit and slides off when the retaining latches are depressed.
- Remove installed top/rear cover and replace with removable top panel provided with rear cable extension kit.
- Attach rear cable extension to back of shelf chassis, using provided screws as shown.



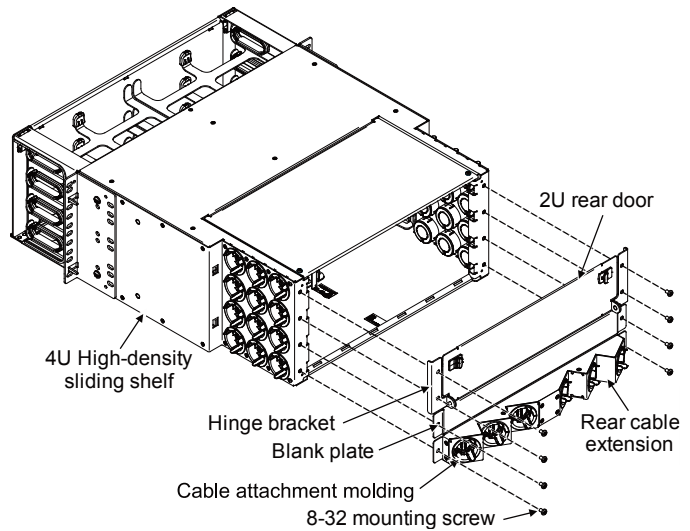
760209627 HD-2U-REAR-EXT-06-KIT 2U Rear cable extension - 6 cable entries

- Remove one installed rear hinge bracket, then remove rear door.
- Re-install hinge bracket.
- Install rear cable extension and blank plate as shown.



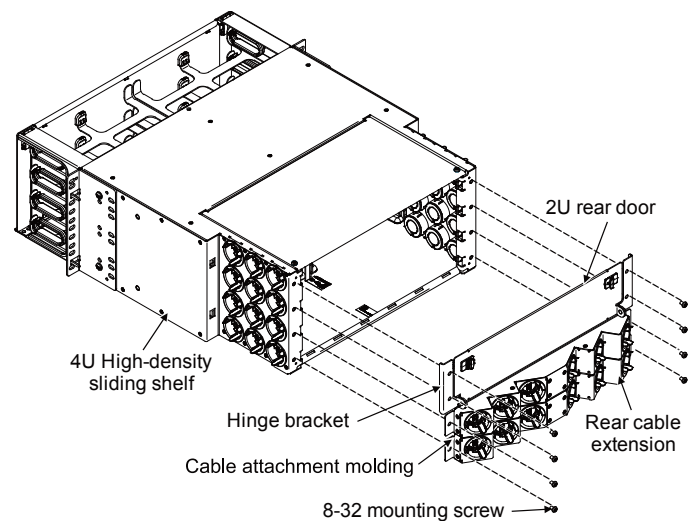
760209981 HD-4U-REAR-EXT-06-KIT 4U Rear cable extension - 6 cable entries

- Remove both installed rear hinge brackets, then remove rear door.
- Replace 4U hinge brackets with 2U hinge brackets provided with kit.
- Install 2U rear door, rear cable extension and blank plate as shown.



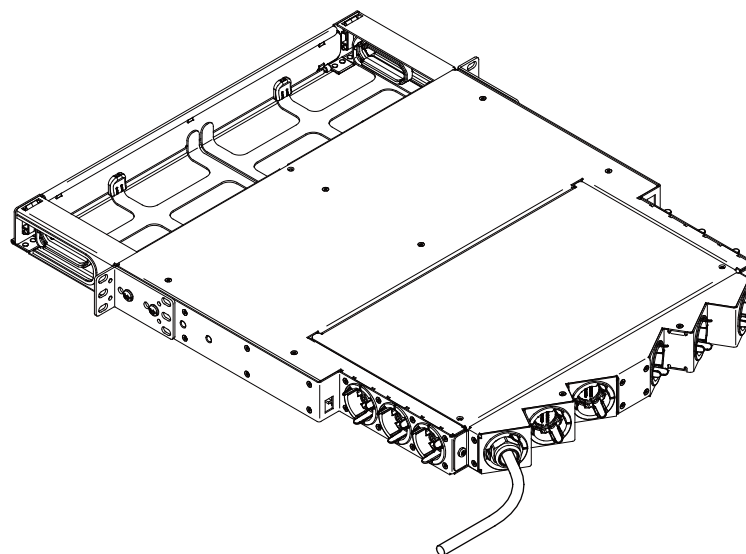
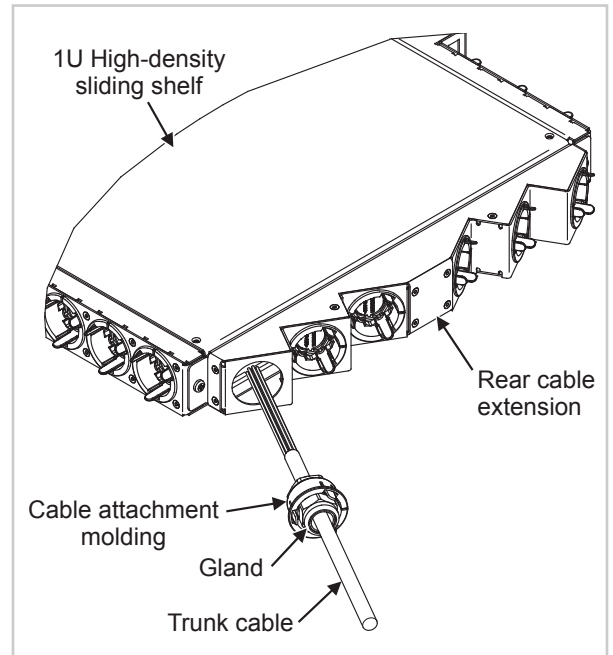
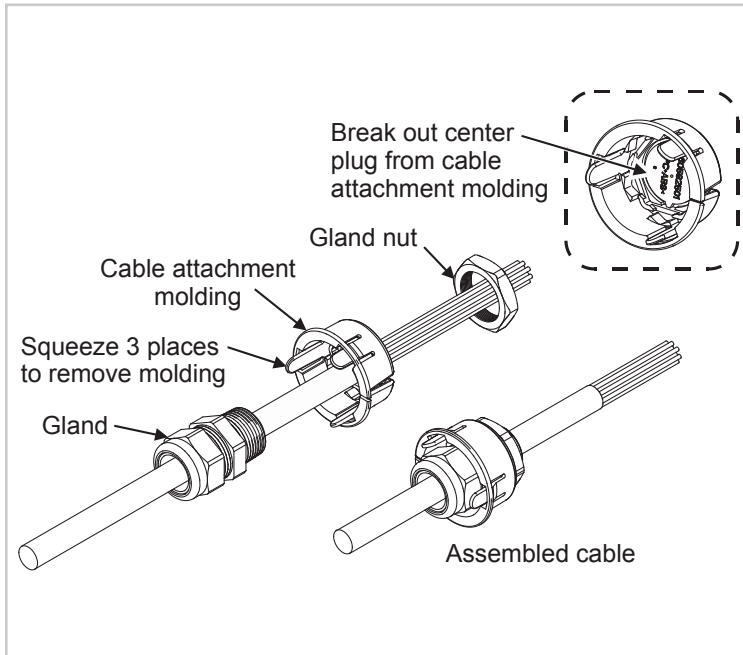
760209999 HD-4U-REAR-EXT-12-KIT 4U Rear cable extension - 12 cable entries

- Remove both installed rear hinge brackets, then remove rear door.
- Replace 4U hinge brackets with 2U hinge brackets provided with kit.
- Install 2U rear door and rear cable extension as shown.



Install Cable

1. Remove cable attachment molding from shelf by squeezing three fingers inward.
2. Break out center plug from cable attachment molding as shown.
3. Remove gland nut from cable gland.
4. Slide cable attachment molding onto cable and secure threaded gland nut to hold molding in place as shown.
5. Feed cable assembly through cable attachment opening of rear cable extension, pushing to seat cable attachment molding.



HD-1U Sliding Fiber Shelf and HD-1U Rear Cable Extension Kit