



Overhead Mini Rack Kit Installation on a Ladder Rack Instructions

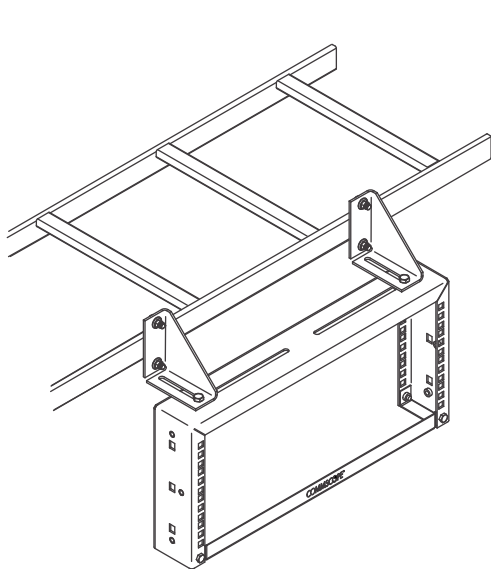
General

The overhead mini rack is an industry standard 19-inch (483mm) wide rack in 4U or 6U heights. The sturdy steel frame includes punched holes that accept M6 cage nuts and M6 x 12 mounting screws (both provided) for installing patch panels or other equipment. An optional configuration includes a vertical cable manager (VCM) trough with nonmetallic cord management fingers, a cable drop radius feature, and a snap-on cover. The VCM can be installed on the left or right side of the rack. The overhead rack will support a 60 lb. (27 Kg) static load.

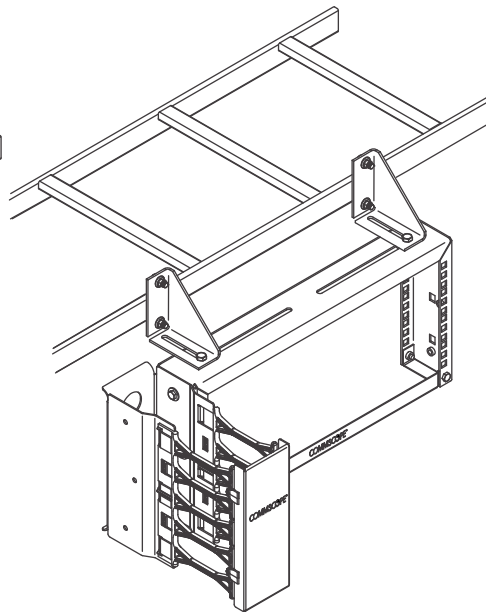
The mini VCM kit is available to be ordered separately.

Ordering information is listed below:

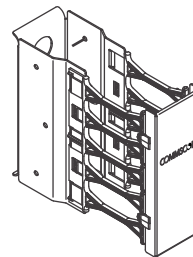
Material ID	Part Number	Description
760157800	OVRHDRACK	Overhead mini rack kit, 4U
760158592	OVRHDRACKVCM	Overhead mini rack kit with VCM, 4U
*760164061	OVRHDVCM	Overhead mini VCM kit, 4U
760169581	OVRHDRACK6U	Overhead mini rack kit, 6U
760169599	OVRHDRACKVCM6U	Overhead mini rack kit with VCM, 6U
*760169607	OVRHDVCM6U	Overhead mini VCM kit, 6U



Overhead Mini Rack



Overhead Mini Rack with VCM



Overhead Mini VCM Kit

How to Contact Us

- To find out more about **CommScope**® products, visit us on the web at <http://www.commscope.com/>
- For technical assistance:
 - Within the United States, contact your local account representative or technical support at 1-800-344-0223. Outside the United States, contact your local account representative or Authorized Business Partner.
 - Within the United States, report any missing/damaged parts or any other issues to **CommScope** Customer Claims at 1-866-539-2795. Outside the United States, contact your local account representative or Authorized Business Partner.

Tools Required

- 1/2" open-end wrench
- 7/16" socket
- Cage nut insertion tool
- Philips screwdriver

WARNING

Legal Disclaimer: It is highly recommended that installation of this product be performed by a qualified and experienced installer. Improper installation of this product could result in damage to the product, other equipment, or personal injury. **CommScope** cannot be held responsible for damage to equipment or personal injury resulting from improper fastening or misuse of information presented in this document. **Equipment must be wired per applicable sections of the National Electrical Code (NEC). If grounding is required, appropriate grounding hardware approved by the NEC must be used.**

CAUTION

The rated load capacity of this product is based on use with a standard cable runway (or equivalent) structure installation. The load supporting capacity of said structure is a critical factor. Additional support to the cable runway may be required to maintain integrity of the overhead rack/VCM solution and should be given important consideration.

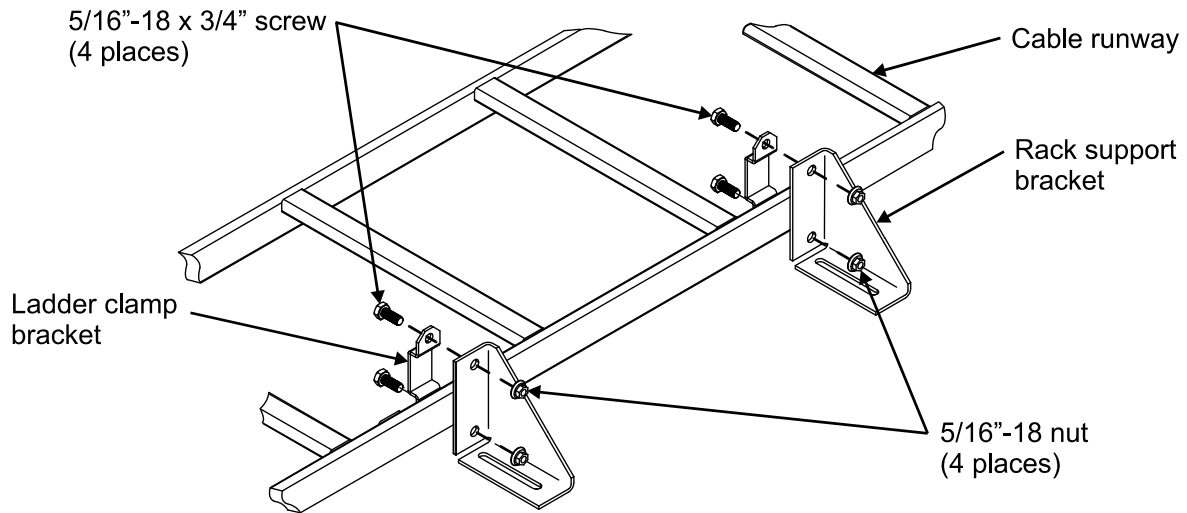
Parts List

Verify parts against the parts list below:

	Quantity				Description
	760157800	760158592	760169581	760169599	
1	1	1	1	1	Overhead mini rack
2	2	2	2	2	Mini rack support brackets
2	2	2	2	2	Ladder clamp brackets
—	1	—	1	1	VCM assembly
6	6	6	6	6	5/16"-18 x 3/4" screws
6	6	6	6	6	5/16" serrated nuts
2	2	2	2	2	1-1/4" flat washers
—	3	—	3	3	1/4"-20 x 1/2" screw
—	3	—	3	3	1/4" flat washer
16	16	24	24	24	M6 cage nuts
16	16	24	24	24	M6 x 12 screws
1	1	1	1	1	Instruction sheet

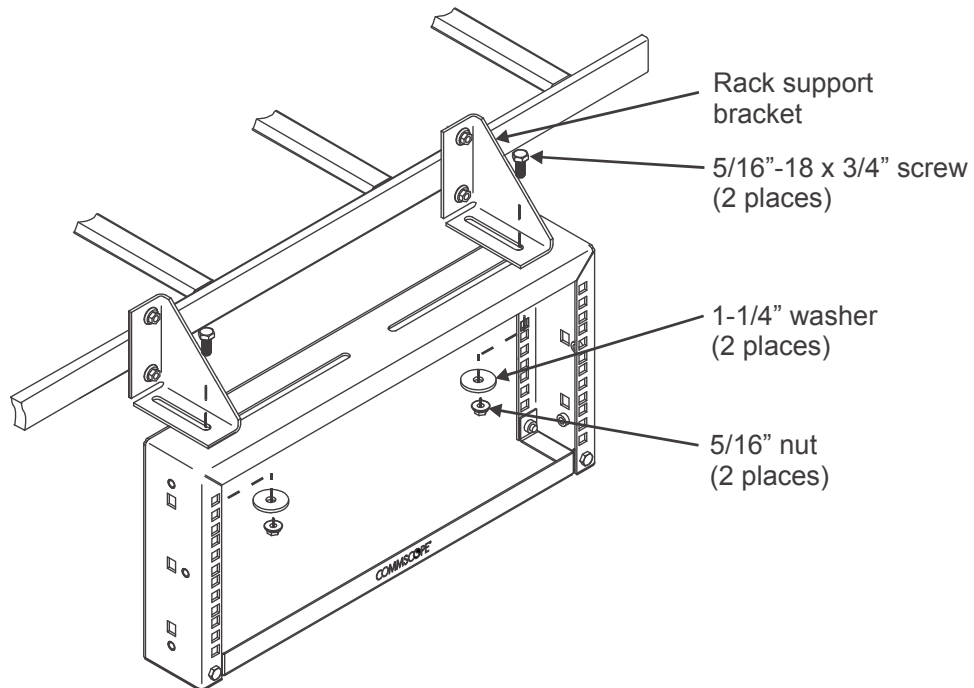
*760164061 and 760169607 mini VCM kits, without mini rack, include 3 1/4"-20 x 1/2" screws and 3 1/4" flat washers each.

Step 1 – Install Support Brackets to Cable Runway



1. Install support brackets to cable runway using the provided 5/16"-18 x 3/4" screws and 5/16" nuts.

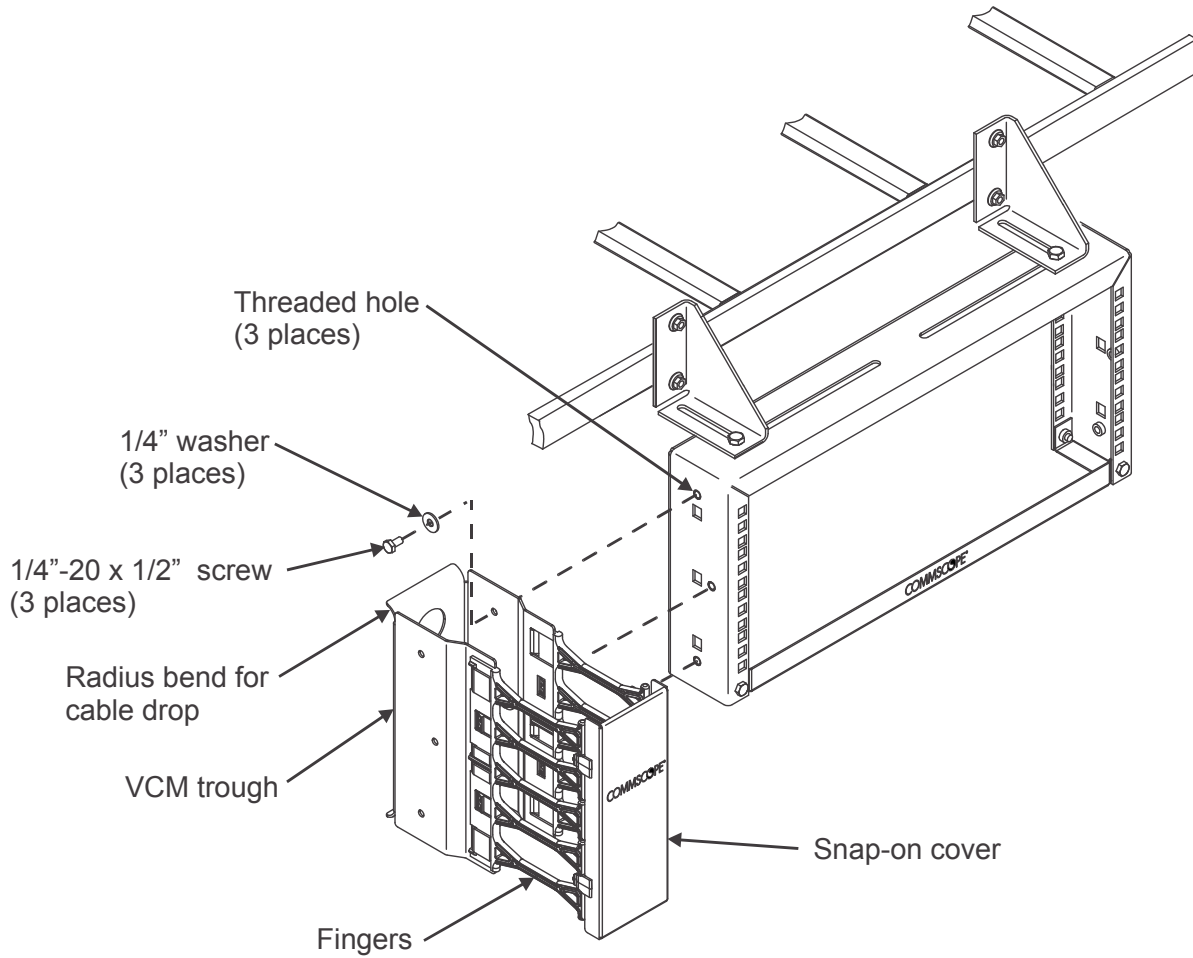
Step 2 – Install Mini Rack to Support Brackets



Note: Punch down patch panels prior to installing on rack support brackets or prior to installing rack to cable runway.

1. Install mini rack to support brackets using the provided 5/16" screws, 1-1/4" flat washers, and 5/16" nuts.

Step 3 – Install VCM to Mini Rack



1. Install VCM to mini rack using the provided 1/4"-20 x 1/2" screws and 1/4" flat washers. Insert screws through VCM trough and into threaded holes in the mini rack.