



## SYSTIMAX® Floor Box Bulkhead Instructions

### General

The **SYSTIMAX®** floor box bulkheads are 19" wide x 5.25" high (483mm x 133mm) 3RU units with openings to accommodate up to sixteen **SYSTIMAX 360™ InstaPATCH®** modules, **360DP** series distribution panels, **360G2** modular cassettes and bezels, or combinations thereof. Floor box bulkhead FLRBX-BLKHD-MOD-3RU does not provide front and rear cable management features and must be addressed by the installer. Floor box bulkhead FLRBX-BLKHD-MOD-W/CBL-MGMT expands upon the same bulkhead by providing front and rear cable management. Both configurations offer enhanced labeling which is easily viewable upon removal of the raised floor tile covering the box. These instructions illustrate how to mount both products into a **SYSTIMAX®** RFE-type floor box.

Ordering information is listed below:

Material ID	Part No.	Description
760136887	FLRBX-BLKHD-MOD-3RU	Floor box bulkhead without cable management
760136895	FLRBX-BLKHD-MOD-W/CBL-MGMT	Floor box bulkhead with cable management



**SYSTIMAX FLRBX-BLKHD-MOD-3U and  
FLRBX-BLKHD-MOD-3U-W/CBL-MGMT  
Shown Installed in RFE-Type Floor Box (Cut-Away View)**

## How to Contact Us

- To find out more about **CommScope**<sup>®</sup> products, visit us on the web at <http://www.commscope.com/>
- For technical assistance:
  - Within the United States, contact your local account representative or technical support at 1-800-344-0223. Outside the United States, contact your local account representative or Authorized Business Partner.
  - Within the United States, report any missing/damaged parts or any other issues to **CommScope** Customer Claims at 1-866-539-2795. Outside the United States, contact your local account representative or Authorized Business Partner.

## Tools Required

- Phillips head screwdriver

## Parts List

Verify parts against the parts list below:

Quantity	Description
4	12-24 x 3/8" screws
1	Bulkhead
1	Flip label
1	Hook-and-loop fastener kit*
1	Instruction sheet

\*Included with bulkhead with cable management only

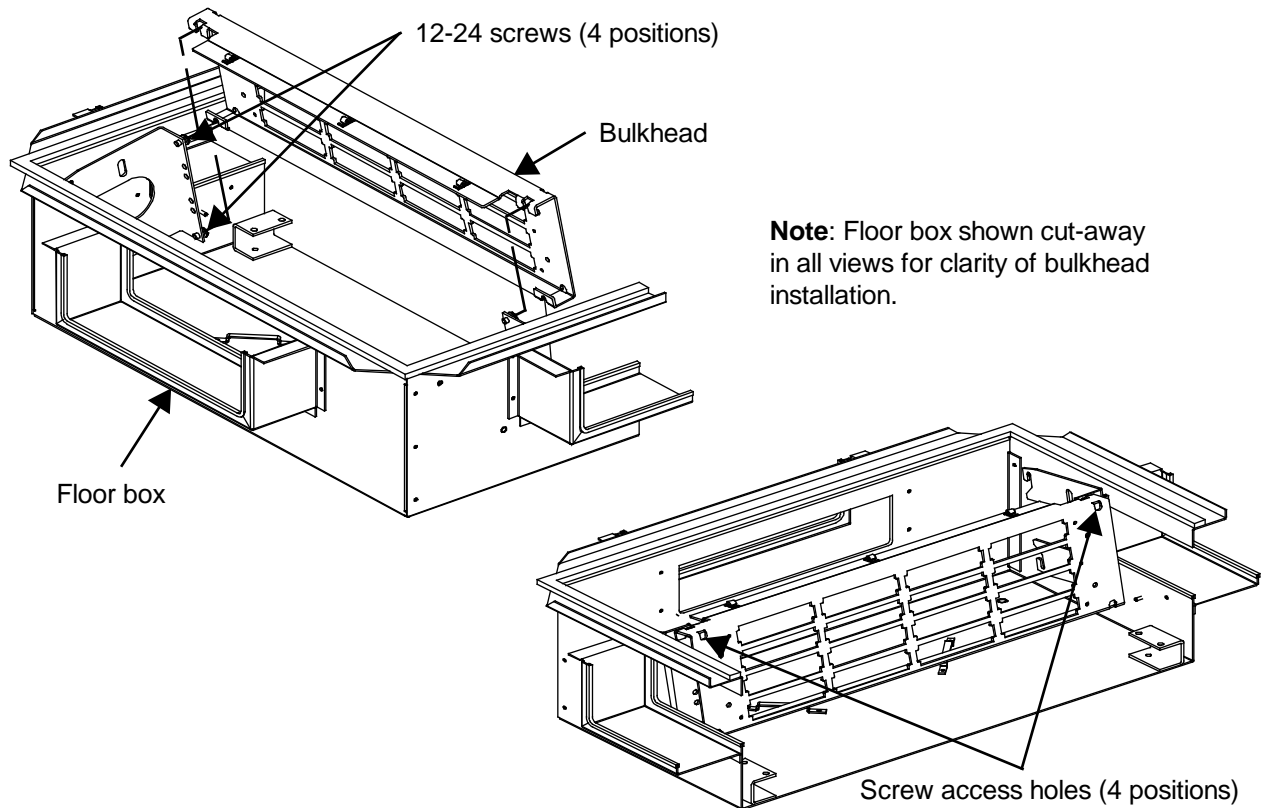
## Separately Orderable Components

Material ID	Description
760060459	RFE-WF-07A raised floor enclosure, 24" x 24" x 7" (610mm x 610mm x 178mm)
760060493	RFE-WF-07B raised floor enclosure with mount for management bracket, 24" x 24" x 7" (610mm x 610mm x 178mm)
760060467	RFE-WF-12A raised floor enclosure, 24" x 24" x 12" (610mm x 610mm x 305mm)
760060475	RFE-SF-07A raised floor enclosure, 21.88" x 21.88" x 7" (556mm x 556mm x 178mm)
760060491	RFE-VB-KIT bracket, 19" x 5.25" (483mm x 133mm) to accommodate fifteen <b>InstaPATCH</b> <sup>®</sup> <b>PLUS</b> modules, <b>1000-type</b> panels or a combination of both

## Cautions

- Disconnected optical components may emit invisible optical radiation that can damage your eyes. Never look directly into an optical component that may have a laser coupled to it. Serious and permanent retinal damage is possible. If accidental exposure to laser radiation is suspected, consult a physician for an eye examination.
- Wearing safety glasses during installation of this product is recommended. Although standard safety glasses provide no protection from potential optical radiation, they offer protection from accidental airborne hardware and cleaning solvents.

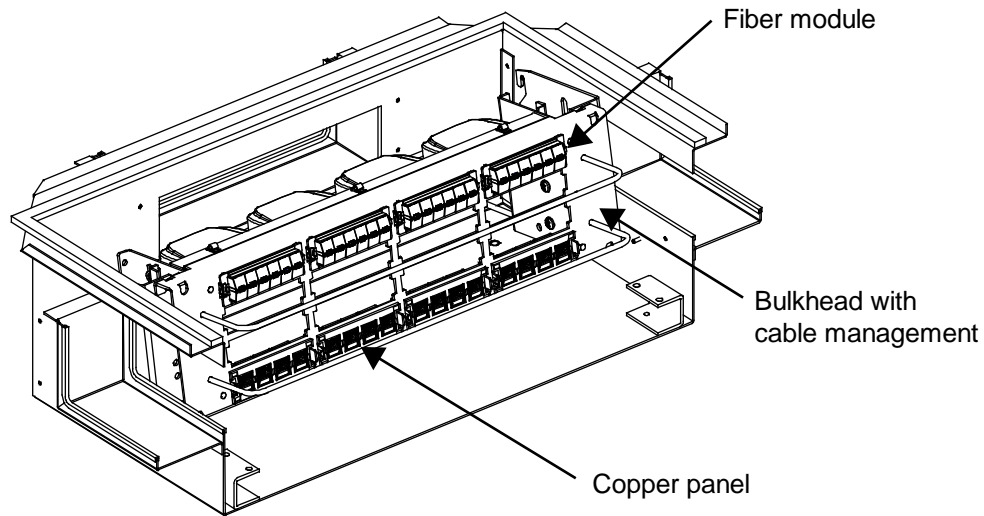
### Step 1 - Mount Bulkhead in Floor Box



**Note:** Installation procedure is identical for bulkhead with or without cable management.

1. Install a 12-24 x 3/8" screw into uppermost and lowermost hole location on each equipment mounting rail. Do not tighten screws completely; leave approximately 1/8" gap between screw heads and rails.
2. Orient bulkhead as shown above and hang bracket onto screws.
3. Insert screwdriver blade through screw access holes (see figure above) on front of bulkhead and fully tighten screws.

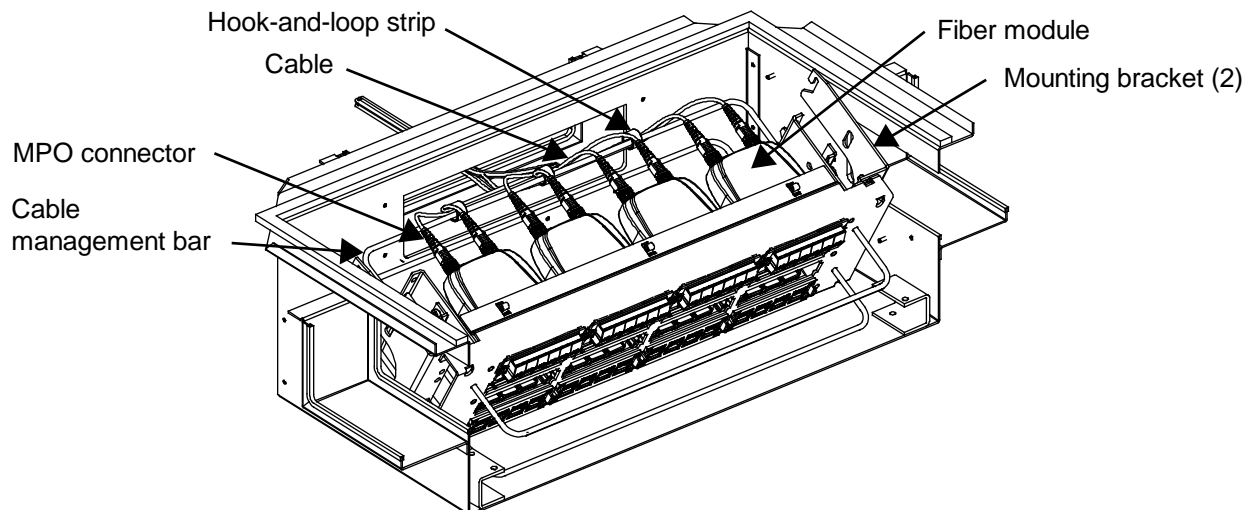
## Step 2 – Install Modules/Panels



**Note:** When copper products and fiber products are to be used in the same installation, it is strongly recommended that copper be located below fiber to prevent possible damage to fiber during copper punch down operations.

1. Install fiber and/or copper modules and panels into bulkhead as shown.

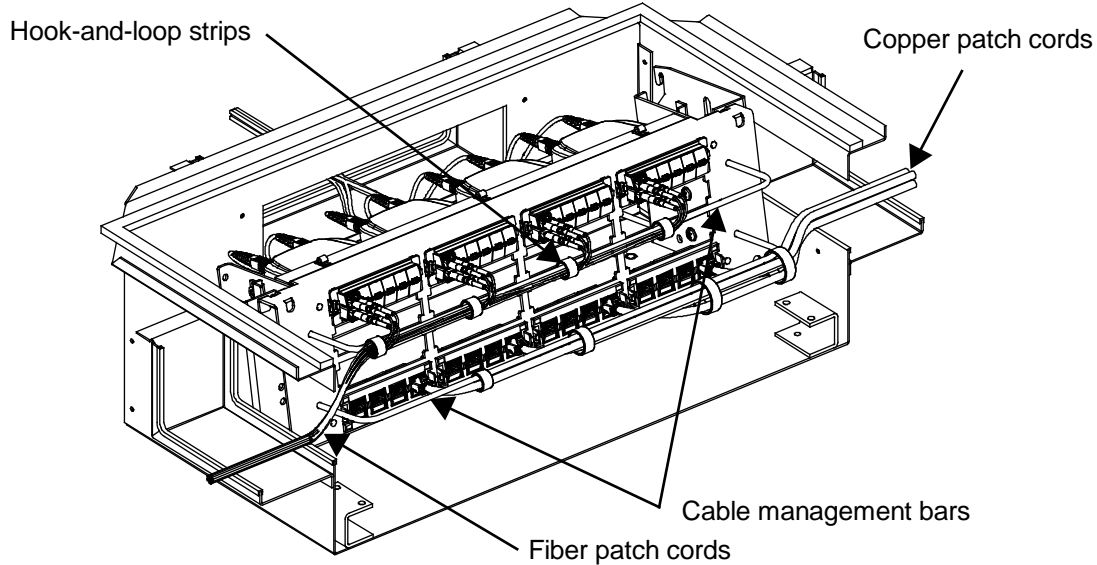
## Step 3 – Terminate Rear of Modules/Panels



**Note:** Cables terminating in top two rows share upper cable management bar and those terminating in bottom two rows share lower cable management bar.

1. Loosen large hex nut at each mounting bracket and pivot bulkhead forward, as shown above, to provide better access to rear.
2. Terminate fiber cables or punch down copper cables starting with the bottom row and working up.
3. Route cables neatly along rear cable management bars and secure cables with provided hook-and-loop fastener strips (for bulkhead with cable management only).

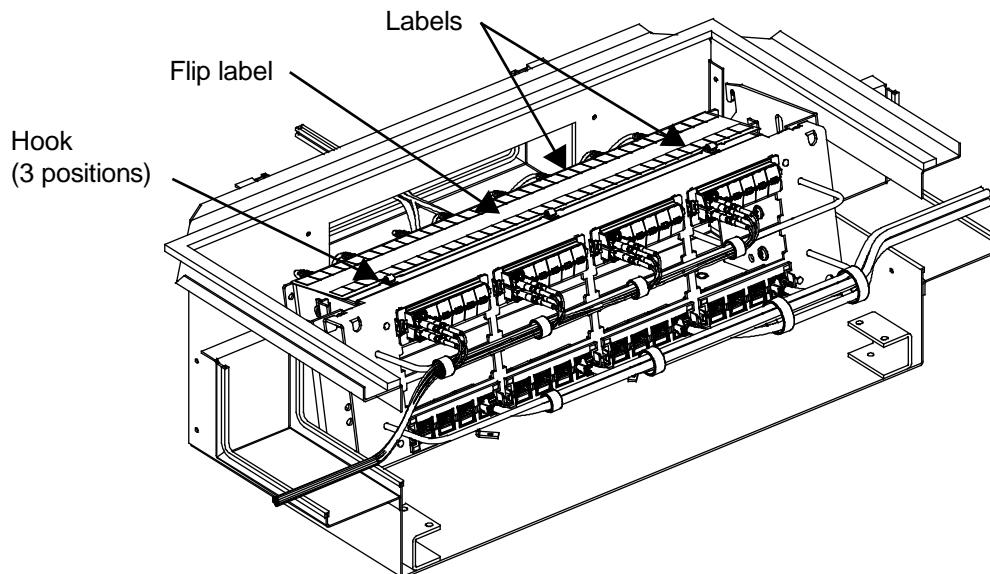
## Step 4 – Patch Modules/Panels



**Note:** Patch cords terminating in top two rows share upper cable management bar and those terminating in bottom two rows share lower cable management bar.

1. Pivot bulkhead back into position, as shown above, and re-tighten hex nuts loosened in Step 3.
2. Terminate patch cords into ports as desired.
3. Route patch cords neatly along the cable management bar and secure cables to bar with provided hook-and-loop fastener strips (for bulkhead with cable management only).

## Step 5 – Apply Labels



1. Install flip label by sliding it over top of bulkhead until the three slots in flip label engage the three hooks.
2. Printable label templates are available online, which can be used along with available label stock to create finished port numbering labels. To print a label, go to [www.commscope.com](http://www.commscope.com) and navigate to the 360G2 1U/2U shelf labels. Create labels and affix to flip label as needed.