



SYSTIMAX® 12A2 Cable Clamp for Non-Metallic Fiber Optic Cable Instructions

General

The **SYSTIMAX®** 12A2 clamp is used to secure one non-metallic fiber optic cable to a shelf or backboard. The clamp does not include any bonding and grounding hardware.

Ordering information is listed below:

Material ID	Description
700025653	12A2 cable clamp for non-metallic fiber optic cable

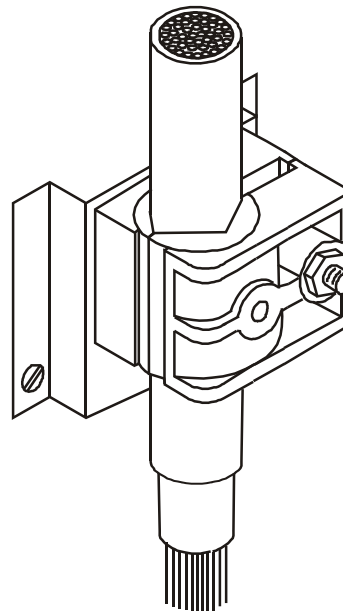
How to Contact Us

- To find out more about **CommScope®** products, visit us on the web at <http://www.commscope.com/>
- For technical assistance:
 - Within the United States, contact your local account representative or technical support at 1-800-344-0223. Outside the United States, contact your local account representative or Authorized Business Partner.
 - Within the United States, report any missing/damaged parts or any other issues to **CommScope** Customer Claims at 1-866-539-2795. Outside the United States, contact your local account representative or Authorized Business Partner.

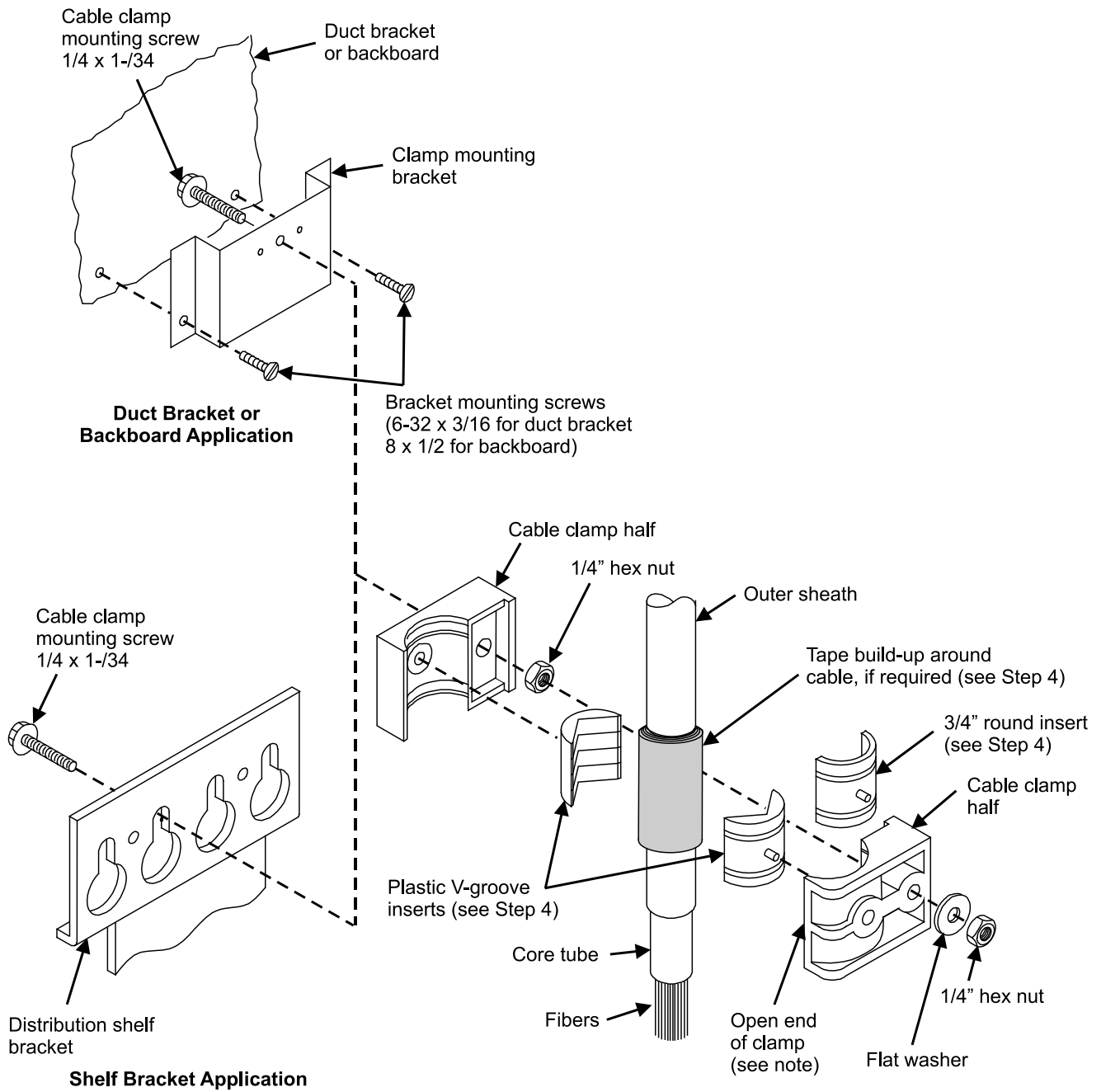
Parts List

Verify parts against the parts list below:

Quantity	Description
2	Cable clamp halves
2	V-Groove inserts
1	3/4" (19 mm) round insert
1	Clamp mounting bracket
1	Flat washer 1/4"
2	Hex nuts 1/4-20
1	Screw 1/4-20 x 1-3/4"
2	Screws (AB) 8 x 1/2"
2	Screws 6-32 x 3/16"
1	Instruction Sheet



Clamp Assembly and Installation

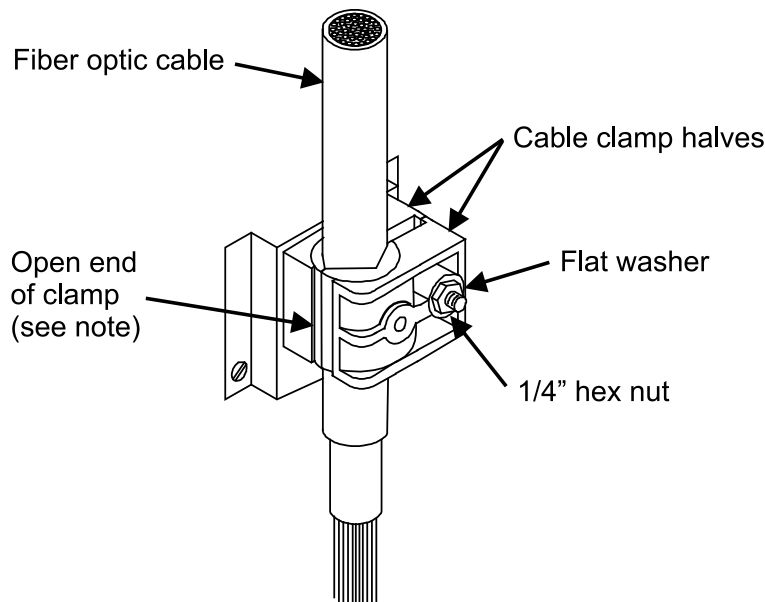


When installing the clamp on a duct bracket or backboard, begin at Step 1.

When installing the clamp directly to a distribution shelf bracket, begin at Step 3.

Note: The first cable clamped to any duct or shelf bracket should have the open end of cable clamp facing front of frame. The second cable clamped to that position should have the clamp facing the opposite direction, or towards the rear. One clamp bracket would be inverted compared to second bracket at the duct bracket. Also refer to the shelf cabling instruction sheets.

1. Insert 1/4-20 x 1-3/4" mounting screw through center hole in clamp bracket and one cable clamp half. Install nut in clamp half and tighten screw. See figure on page 2.
2. Install clamp bracket to duct bracket using two 6-32 x 3/16" screws or to backboard using two 8 x 1/2" screws. Proceed to step 4.
3. Insert 1/4-20 x 1-3/4" mounting screw through clamp mounting hole in distribution shelf bracket and one cable clamp half. Install nut in clamp half and tighten screw. See figure on page 2.
4. Determine outside diameter (OD) of cable and perform one of the following:
 - Less than 0.40 inch (10mm) – build up cable diameter with tape to approximately 0.40 inch (10mm) and use two V-groove inserts
 - 0.40 to 0.59 inch (10 to 15mm) – use two V-groove inserts
 - 0.60 to 0.74 inch (15 to 19mm) – use one V-groove insert and the 3/4-inch (19mm) insert
 - 0.75 to 0.90 inch (19 to 23mm) – no inserts required.
5. Place cable within clamp half previously secured with nut and position second clamp half over it as shown. Insert assembly onto 1/4 x 1-3/4 mounting screw. Install flat washer and nut on screw and tighten using 216-tool. See figure below.



Clamp Assembly and Installation