



CRTWSBK-Type Ladder Rack Triangular Wall Mount Bracket Kit Instructions

Ordering Information

Ordering information is listed below:

Material ID	Part No.	Description
760084087	CRTWSBK-6W	Ladder rack triangular wall bracket kit, 6" W (152mm)
760084095	CRTWSBK-12W	Ladder rack triangular wall bracket kit, 12" W (305mm)
760084103	CRTWSBK-18W	Ladder rack triangular wall bracket kit, 18" W (457mm)
760084111	CRTWSBK-24W	Ladder rack triangular wall bracket kit, 24" W (610mm)

How to Contact Us

- To find out more about **CommScope®** products, visit us on the web at <http://www.commscope.com/>
- For technical assistance:
 - Within the United States, contact your local account representative or technical support at 1-800-344-0223. Outside the United States, contact your local account representative or Authorized Business Partner.
 - Within the United States, report any missing/damaged parts or any other issues to **CommScope** Customer Claims at 1-866-539-2795. Outside the United States, contact your local account representative or Authorized Business Partner.

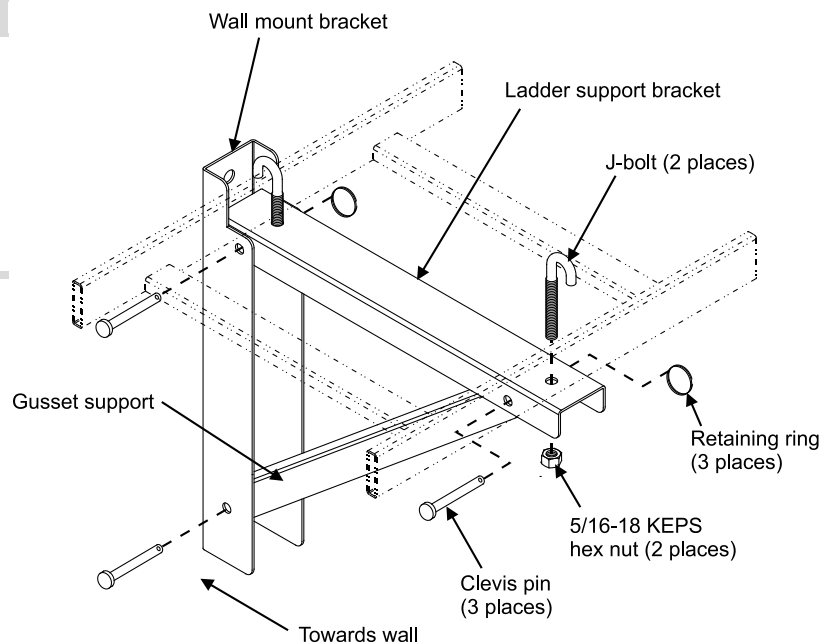
Parts List

Verify parts against the parts list below:

Quantity	Description
1	Wall mount bracket
1	Ladder support bracket
1	Gusset support
3	Clevis pins
3	Retaining rings
2	J-Bolts
2	5/16-18 KEPS hex nuts
1	Instruction sheet

Tools Required

- 1/2" socket and driver or open-end wrench



Installation