



5" (127 mm)



M204ASMB Surface Mounted Box Installation

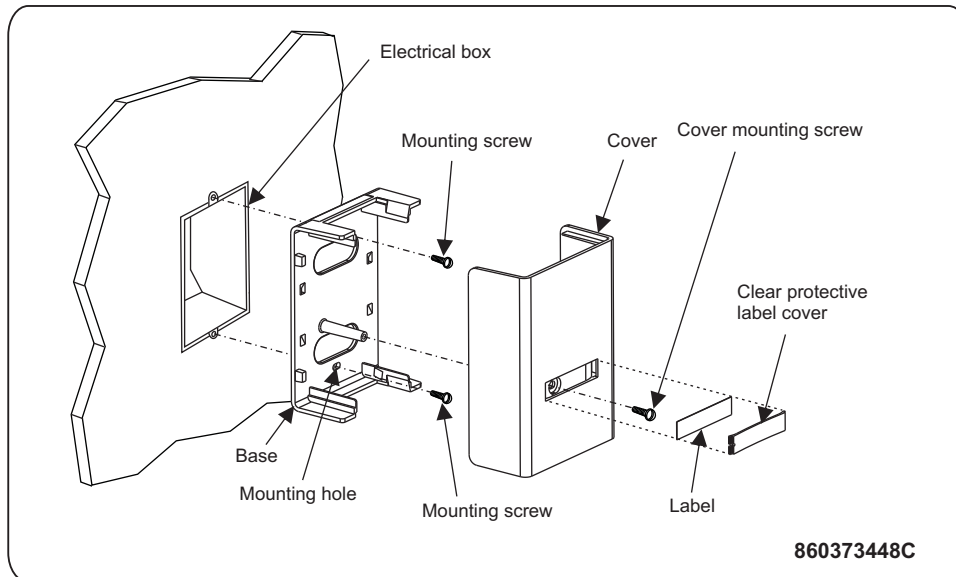
For a copy of the complete installation instructions for this product,
please visit the website below.

<http://www.commscope.com/>



Issue 3, July 2009

3" (76 mm)



Notes:

1. Card outline, keylines and dimensions are for reference only and do not print.

CommScope Solutions Properties, LLC - Proprietary Use pursuant to Company Instructions			
860373448C	MATERIAL ID None	DATE 7/28/09	
DESCRIPTION M204ASMB Box Instruction Card		ENGR G. Spisany	
SHEET 1 OF 1	ISSUE 3	SCALE 1:1	DRAWN D. Trinkle

