



M30FP-3RCA-110 Video/Audio Adapter Installation Instructions

General

The 3-port RCA-type adapter provides baseband video and audio connectivity to 24 AWG unshielded twisted-pair (UTP) wiring. The 3RCA adapter connects audio and video electronics to building wiring utilizing a 110 insulation displacement connecting (IDC) block. Each adapter connects to four pairs of a 4-pair UTP cable and has red, white, and yellow color-coded connectors.

The adapter is compatible with the M13FP/M26FP flexible faceplates and the M204SMB/M208SMB surface mount boxes and is available in four colors.

| Ordering Number | Catalog Number | Color |
|-----------------|--------------------|-------|
| 760017541 | M30FP-3RCA-110-003 | Black |
| 760017558 | M30FP-3RCA-110-246 | Ivory |
| 760017566 | M30FP-3RCA-110-262 | White |
| 760017574 | M30FP-3RCA-110-270 | Gray |

How to Contact Us

- To find out more about **CommScope®** products, visit us on the web at <http://www.commscope.com/>
- For technical assistance:
 - Within the United States, contact your local account representative or technical support at 1-800-344-0223. Outside the United States, contact your local account representative or Authorized Business Partner.
 - Within the United States, report any missing/damaged parts or any other issues to CommScope Customer Claims at 1-866-539-2795. Outside the United States, contact your local account representative or Authorized Business Partner.

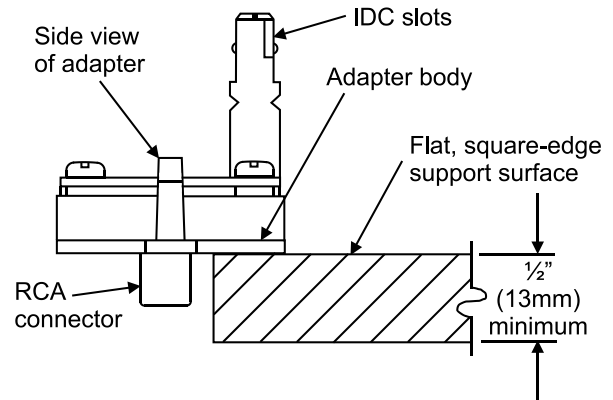
CAUTION

Follow local regulations and applicable codes. Refer to ANSI/TIA/EIA-568-B for safe installation practices.

Connect Twisted-Pair Wires

1. Remove about 2 inches (51mm) of jacket from the cable. Remove any bisection or flute by cutting it as close to the sheath as possible.
2. Locate a block of wood or other suitable flat, square-edge surface, which is a minimum of 1/2 inch (13mm) thick, and position the adapter on it as shown before connecting wires.

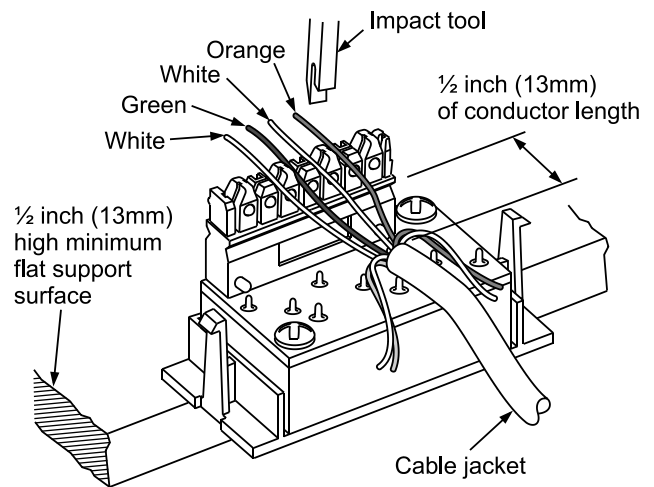
Important: Do **not** exert force on the rear of the adapter without first resting the adapter body on a supporting surface, so as to prevent damage to RCA connectors on the front.



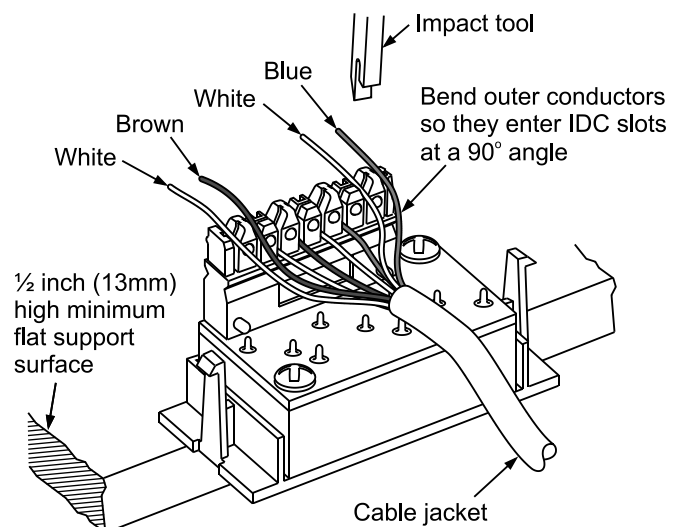
3. Untwist the orange/white pair and green/white pair first and place both pairs of conductors in the appropriately color-coded IDC slots. There should be approximately 1/2 inch (13mm) of conductor length from the edge of the IDC slot to the cable jacket.

Note: Inserting these pairs first will help center the jacketed cable at the rear of the adapter. This is important for placing caps over slots and in preventing conductor pullout from the IDC slot.

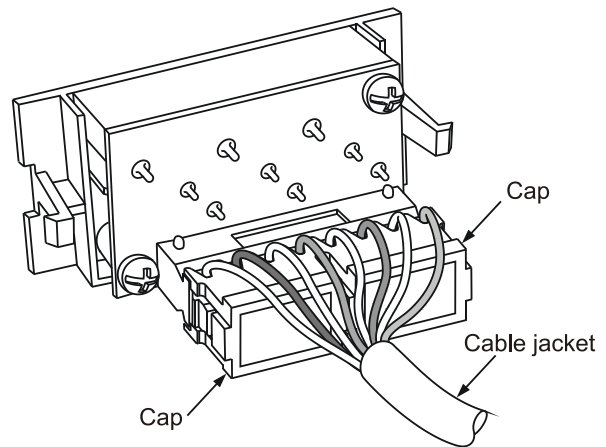
4. Seat the wires into the IDC slots using an impact tool with M110 blade on LO-impact setting. Use the cutting edge of the blade to trim excess wire flush with 110 block.



5. Untwist the blue/white pair and brown/white pair and place both pairs of conductors in the appropriately color-coded IDC slots.
6. Bend the outer conductors evenly so they enter the IDC slots at a 90° angle.
7. Seat the wires into the IDC slots using an impact tool with M110 blade on LO-impact setting. Use the cutting edge of the blade to trim excess wire flush with 110 block.



- Place two caps over terminated conductors and bend the conductors as shown before inserting the adapter into a faceplate.



Snap Adapter into Flexible Faceplate

Note: Adapters should be inserted from center to outside on duplex frame (described here), but may be snapped-in from either left or right side on single frame

- Locate adapter so that latch lines up with one of three tapered sections on edge of duplex frame.
 - Position edge of adapter into frame on center section.
- Push in on outside edge of adapter until latch snaps into frame.

