

Installation Instructions

Transition Installation and Polarisation



Valuline™ Antennas

Description

The Transition in conjunction with the Feed Assembly is designed to be mounted in to the reflector of a Valuline™ antenna.

Important

Transition to be fitted to Feed Assembly prior to any waveguide or feeder cable being attached to the antenna.

Notice

The installation, maintenance or removal of antenna systems requires qualified, experienced personnel. Andrew installation instructions have been written for such personnel. Antenna systems should be inspected once a year by qualified personnel to verify proper installation, maintenance, and condition of equipment.

Andrew disclaims any liability or responsibility for the results of improper or unsafe installation practices.



Warning: Use protective wear to avoid skin contact with the compound. Keep away from mouth. Wash thoroughly after use with liberal amounts of liquid soap and rinse with water. Do not store open near food or food sources. Contents: oil, clay and zinc dust.

Table 1. Parts List

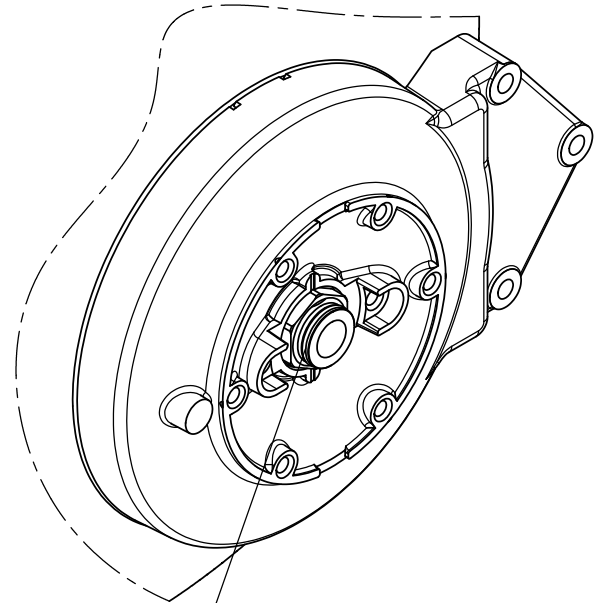
Item	Description	Qty
1	O-Ring	1*
2	Transition	1
3	M8 Skt Hd Cs'K Screw	2*
4	Silicon Grease (Tube)	1*

* Part of kit 7622201(-6W or 7W)

Table 2. Fastner Torque Specifications

Fastner Torque value in Nm (lb-ft) for each fastner size						
Size	M5	M6	M8	M10	M12	M16
Stainless	4.5	7.7	18.7	39.2	65.1	161
Steel	(3.3)	(5.7)	(13.8)	(28.9)	(48)	(118.7)

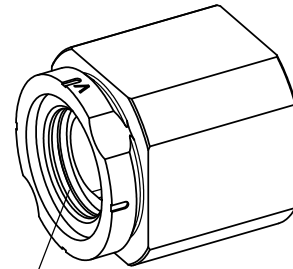
1



Assemble o-ring in to groove in feed and smear a small amount of silicone grease to o-ring

2

FOR 6 & 7GHz ONLY



IMPORTANT NOTE

Assemble o-ring to transition and smear a small amount of silicon grease to o-ring prior to fitting transition to feed/antenna assembly

Andrew Solutions

Customer Service 24 hours

U.S.A., Canada, Mexico: 1-800-255-1479
or 1-888-235-5732
U.K.: 0800 250055
Other Europe: +44 592 782 612

www.commscope.com/andrew

Visit our Web site at www.commscope.com/andrew or contact your local Andrew Solutions representative for more information.
© 2008 CommScope, Inc. All rights reserved.
Andrew Solutions is a trademark of CommScope. All trademarks identified by ® or ™ are registered trademarks or trademarks, respectively, of CommScope. This document is for planning purposes only and is not intended to modify or supplement any specifications or warranties relating to Andrew Solutions products or services.

Notice: Andrew disclaims any liability or responsibility for the results of improper or unsafe installation, inspection, maintenance, or removal practices.
Aviso: Andrews no acepta ninguna obligacion ni responsabilidad como resultado de practicas incorrectas o peligrosas de instalacion, inspeccion, mantenimiento o retire.
Avis : Andrew decline toute responsabilite pour les consequences de procedures d'installation, d'inspection, d'entretien ou de retrait incorrectes ou dangereuses.
Hinweis: Andrew lehnt jede Haftung Oder Verantwortung fur Schaden ab, die aufgrund unsachgeMaBer Installation, Uberprufung, Wartung Oder Demontage auftreten.
Atencao: A Andrew abdica do direito de toda responsabilidade pelos resultados de praticas inadequadas e sem seguranca de instalacao, inspecao, manutengao ou remocao.
Awertenza: Andrew declina eventual! responsabilita denvanti dell'esecuzione di procedure di installazione, ispezione, manutenzione e smontaggio improprie o poco sicure.

注意：Andrew 公司申明對於不恰當或不安全的安裝、檢驗、維修或拆卸操作所導致的後果不負任何義務和責任



Installation Instructions

Transition Installation and Polarisation



Valuline™ Antennas

3

Pre-assemble 2-off M8 cs'k screws, head of screws to be flush with casting

5

Polarisation timing marks

Flats provided to aid fine polarisation adjustment

After fine polarisation adjustment, tighten screws to a torque of 10Nm ± 5%

4

To assemble transition, orientate cutouts to align with heads of M8 cs'k screws then twist transition counter clockwise to engage

5

Rotate transition to desired polarisation, align 'V' for vertical polarisation or 'H' for horizontal polarisation with timing mark on antenna.

Loosen screws ½ a turn to adjust polarisation. Tighten screws to a torque of 10Nm ± 5%

Vertical Polarisation **Horizontal Polarisation**

Andrew Solutions

Customer Service 24 hours

U.S.A., Canada, Mexico: 1-800-255-1479
or 1-888-235-5732
U.K.: 0800 250055
Other Europe: +44 592 782 612

www.commscope.com/andrew

Visit our Web site at www.commscope.com/andrew or contact your local Andrew Solutions representative for more information.
© 2008 CommScope, Inc. All rights reserved.

Andrew Solutions is a trademark of CommScope. All trademarks identified by ® or ™ are registered trademarks or trademarks, respectively, of CommScope. This document is for planning purposes only and is not intended to modify or supplement any specifications or warranties relating to Andrew Solutions products or services.

Notice: Andrew disclaims any liability or responsibility for the results of improper or unsafe installation, inspection, maintenance, or removal practices.

Aviso: Andrews no acepta ninguna obligación ni responsabilidad como resultado de practicas incorrectas o peligrosas de instalacion, inspección, mantenimiento o retire.

Avis : Andrew decline toute responsabilite pour les consequences de procedures d'installation, d'inspection, d'entretien ou de retrait incorrectes ou dangereuses.

Hinweis: Andrew lehnt jede Haftung Oder Verantwortung fur Schaden ab, die aufgrund unsachgemaBer Installation, Uberprufung, Wartung Oder Demontage auftreten.

Atencao: A Andrew abdica do direito de toda responsabilidade pelos resultados de praticas inadequadas e sem seguranca de instalacao, inspecao, manutengao ou remocao.

Awertenza: Andrew declina eventual! responsabilita dervanti dell'esecuzione di procedure di installazione, ispezione, manutenzione e smontaggio improprie o poco sicure.

注意：Andrew 公司申明對於不恰當或不安全的安裝、檢驗、維修或拆卸操作所導致的後果不負任何義務和責任

