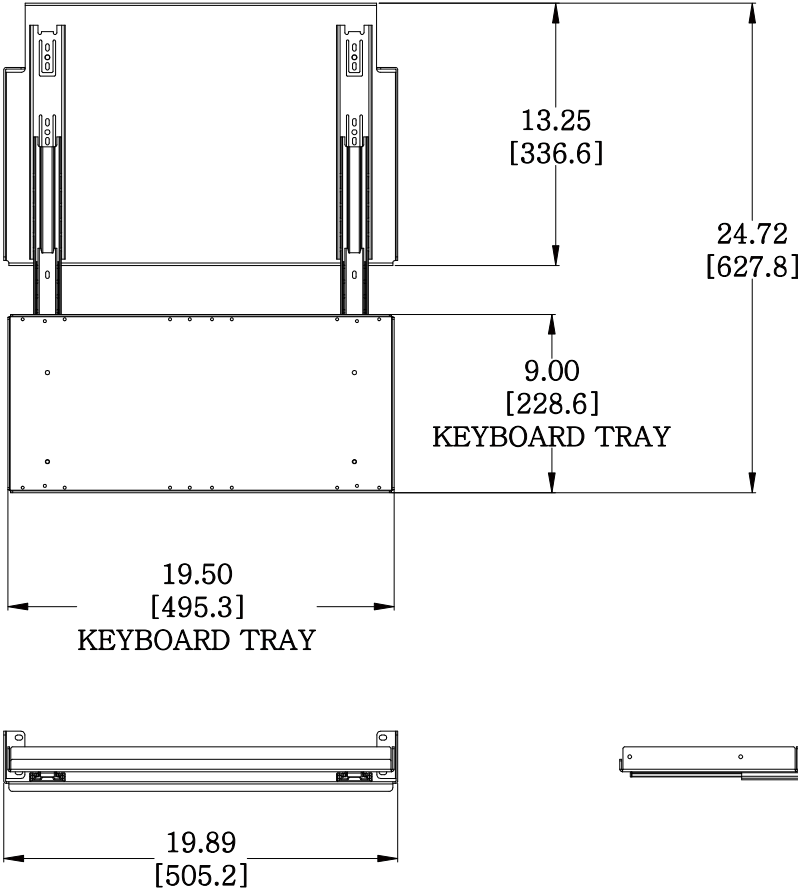
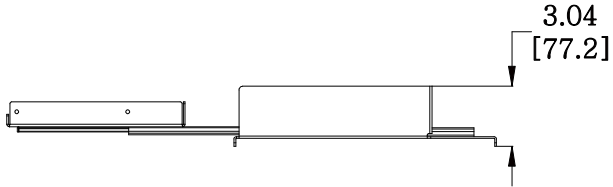


MATERIAL ID	DESCRIPTION
760162057	SHELF, KEYBOARD, 19" X 2U X 8D 2 POST, BIK



NOTES:

- SEE COMMSCOPE CATALOG FOR PART NUMBER SUFFIXES TO INDICATE COLOR/PKG.
- SEE COMMSCOPE CATALOG FOR COMPLETE LIST OF PARTS RELATED TO THE USE OF THIS PRODUCT.
- DIMENSIONS IN PARENTHESES ARE IN METRIC.
- PART INCLUDES:  
 (1) SHELF, KEYBOARD, 19" X 2U X 8D 2 POST, BIK  
 (4) #12-24 PANEL MOUNT SCREW



SHELF-KEY-19-2U-8

**COMMSCOPE, INC** OF NORTH CAROLINA

1	7/18/11		INITIAL ISSUE	PD	DRAWN BY DJ	
REV	DATE	ECR	DESCRIPTION	APPROVED BY	DATE 7/18/2011	DWG NO 760162057