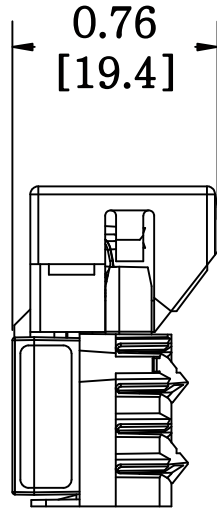
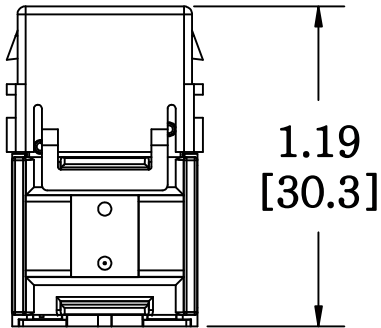
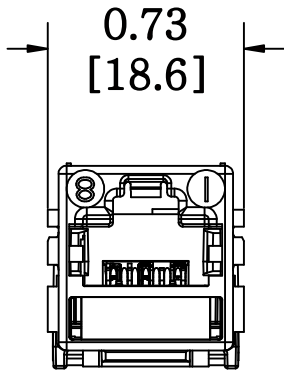


MATERIAL ID	DESCRIPTION
760149971	UNJ10G-IV



**NOTES:**

1. SEE UNIPRISE CATALOG FOR PART NUMBER SUFFIXES TO INDICATE COLOR/PKG.
2. SEE UNIPRISE CATALOG FOR COMPLETE LIST OF PARTS RELATED TO THE USE OF THIS PRODUCT.
3. DIMENSIONS IN PARENTHESES ARE IN METRIC.
4. PART INCLUDES:

- (1) JACK FRAME,DUAL MOUNT (-246)
- (1) ICONS, (-246)
- (1) PWB, MODULE MGS500
- (1) SPRING GUIDE (AQUA)
- (1) SPRING BLOCK
- (1) COVER
- (1) JACK WIRE
- (8) IDC
- (1) HOUSING, REAR
- (1) CAP
- (1) LABEL, UNIVERSAL (LEFT)
- (1) LABEL, UNIVERSAL (RIGHT)

MODULE (UNJ10G)

**COMMScope, INC** OF NORTH CAROLINA

**Uniprise**

1	11/1/10		INITIAL ISSUE	MWC	DRAWN BY AW	
REV	DATE	ECR	DESCRIPTION	APPROVED BY	DATE 11/1/2010	DWG NO 760149971