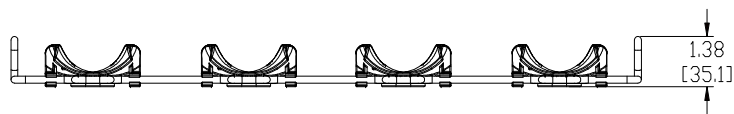
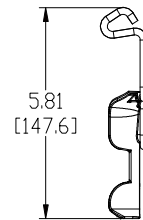
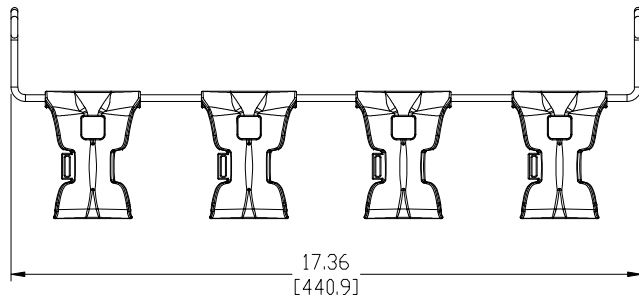


MATERIAL ID	DESCRIPTION
760104398	360-RCM-BM

NOTES:

1. SEE COMMSCOPE CATALOG FOR PART NUMBER SUFFIXES TO INDICATE COLOR/PKG.
2. SEE COMMSCOPE CATALOG FOR COMPLETE LIST OF PARTS RELATED TO THE USE OF THIS PRODUCT.
3. DIMENSIONS IN PARENTHESES ARE IN METRIC.
4. PART INCLUDES:
 (4) PLASTIC TROUGH FOR 360 REAR CABLE MANAGEMENT
 (1) METAL BAR FOR 360 REAR CABLE MANAGEMENT



360 REAR CABLE MANAGEMENT			
COMMSCOPE, INC OF NORTH CAROLINA			
DRAWN BY AW		DWG NO 760104398	
1	4/8/10	INITIAL ISSUE	
REV	DATE	DESCRIPTION	APPROVED BY DATE 4/8/10