

**639840 REVISION T, JULY 2024**

## MOUNTING KITS FOR WIDE PANEL ANTENNAS

BSAMNT-3, BSAMNT-M & BSAMNT-MH & BSAMNT-F: MOUNTING SYSTEMS FOR CYLINDRICAL PIPE INSTALLATIONS (60-115 MM PIPE DIAMETER)

THIS DOCUMENT EXPLAINS HOW TO INSTALL AN ANTENNA USING A BSAMNT MOUNT KIT. ANTENNAS WITH TWO MOUNT POINTS WILL USE BSAMNT-3 OR BSAMNT-F. ANTENNAS WITH THREE MOUNT POINTS WILL ALSO INCLUDE THE BSAMNT-M OR BSAMNT-MH. THE ANTENNA MECHANICAL TILT CAN NOT BE ADJUSTED IF BSAMNT-F IS USED.



ALL FASTENERS MUST BE TIGHTENED TO THE DEFINED TORQUE VALUE AFTER ONSITE INSTALLATION TO THE SPECIFIED TILT POSITION, INCLUDING INSTALLATION AT 0 DEGREE, SEE MOUNTING KIT INSTALLATION DIAGRAMS ON FOLLOWING PAGES FOR CORRECT TORQUE RECOMMENDATIONS.

| ITEM NO. | DESCRIPTION       | BSAMNT-3 QUANTITY | BSAMNT-M/-MH QUANTITY | BSAMNT-F QUANTITY |
|----------|-------------------|-------------------|-----------------------|-------------------|
| 1        | PIPECLAMP BRACKET | 2                 | 1                     | 2                 |
| 2        | U BRACKET         | 2                 | 1                     | 2                 |
| 3        | BRACKET, NOTCHED  | 1                 | 1                     | -                 |
| 4        | BRACKET           | 1                 | 1                     | -                 |
| 5        | M8X25 SCREW       | 2                 | 2                     | -                 |
| 6        | M8 LOCK WASHER    | 2                 | 2                     | -                 |
| 7        | PLATE, TWO HOLES  | 2                 | 2                     | -                 |
| 8        | M10 NUT           | 12                | 8                     | 8                 |
| 9        | M10 FLAT WASHER   | 6                 | 4                     | 4                 |
| 10       | M10X40 SCREW      | 6                 | 4                     | 4                 |
| 11       | M12 NUT           | 12                | 6                     | 12                |
| 12       | M12 FLAT WASHER   | 4                 | 2                     | 4                 |
| 13       | M12 LOCK WASHER   | 4                 | 2                     | 4                 |
| 14       | M12 CARRIAGE BOLT | 4                 | 2                     | 4                 |
| 15       | M10X25 SCREW      | 2                 | 2                     | -                 |
| 16       | M10 LOCK WASHER   | 2                 | 2                     | -                 |
| 17       | M16 FLAT WASHER   | 4                 | 2                     | 4                 |
| 18       | ISOLATOR          | 4                 | 2                     | 4                 |
| 19       | PIPECLAMP BRACKET | 2                 | 1                     | 2                 |

### PART LISTS



| TOOL          | SIZE | TORQUE RANGE |
|---------------|------|--------------|
| TORQUE WRENCH | 13mm | 25N·m        |
|               | 17mm | 40N·m        |
|               | 19mm | 58N·m        |

**TABLE 1 INSTALLATION TOOLS LIST**

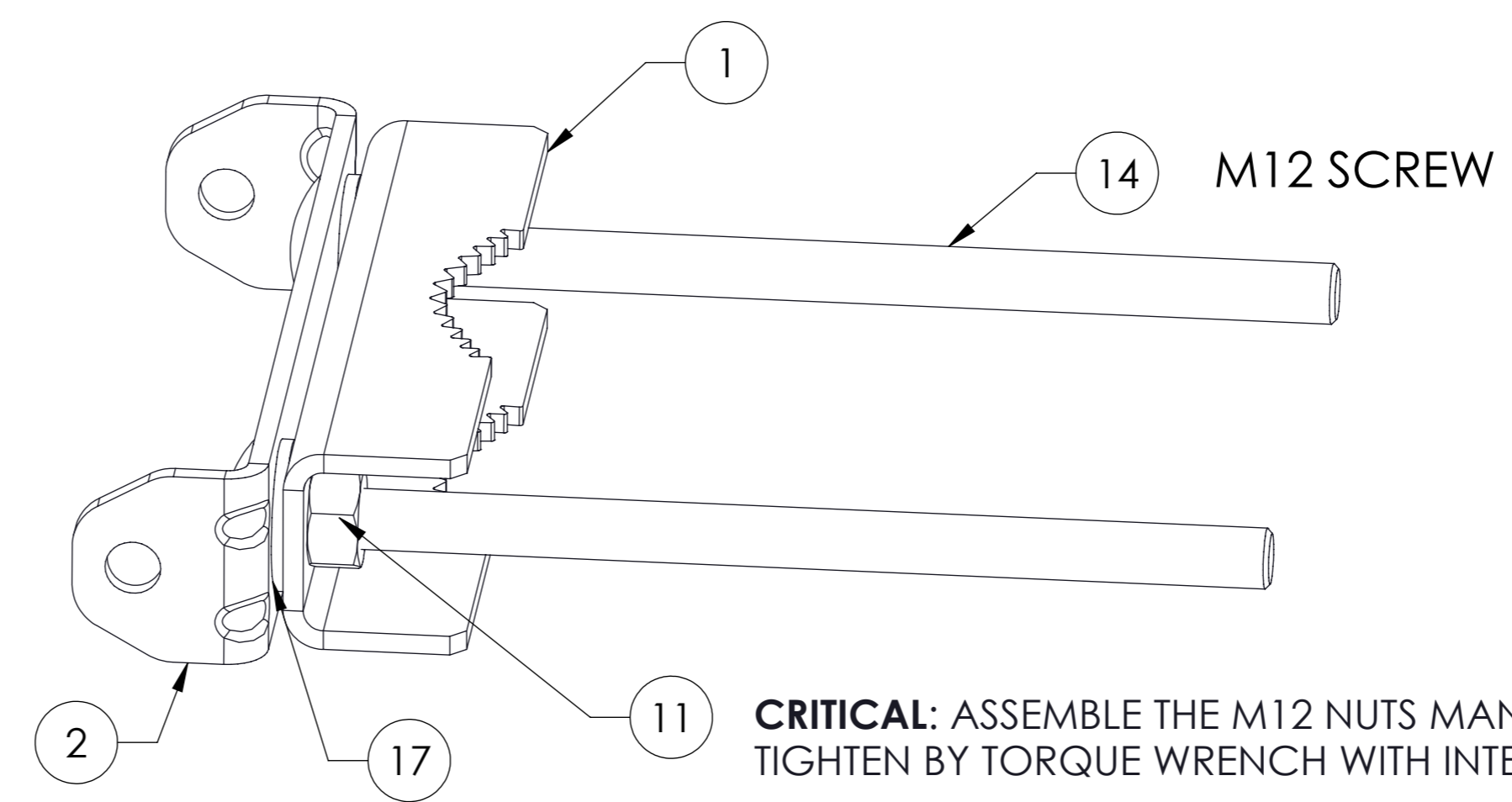
ALL FASTENERS MUST BE TIGHTENED TO THE DEFINED TORQUE VALUE AFTER ONSITE INSTALLATION TO THE SPECIFIED TILT POSITION, INCLUDING INSTALLATION AT 0-DEGREE, SEE THE MOUNTING KIT INSTALLATION DIAGRAMS ON THE FOLLOWING PAGES FOR THE CORRECT TORQUE RECOMMENDATIONS.

- BRACKET EDGES PARALLEL TO EACH OTHER. (FULLY COLLAPSED POSITION)

### PRE-ASSEMBLY OF DOWNTILT BRACKETS BY KIT VENDOR (NOT APPLICABLE FOR BSAMNT-F)



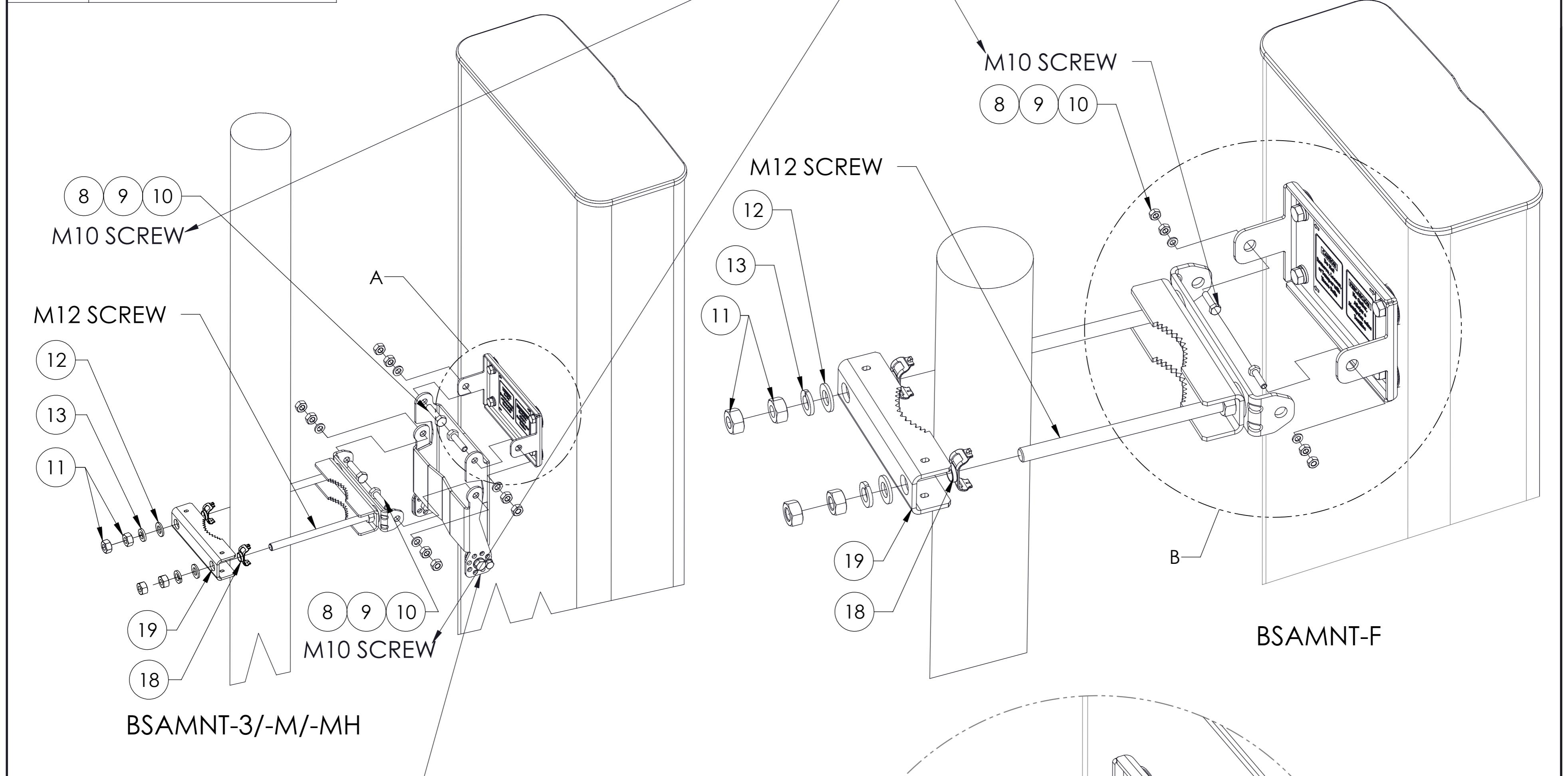
| REQUIRED TORQUE |                 |
|-----------------|-----------------|
| M12             | 58N·m (43ft·lb) |



**CRITICAL:** ASSEMBLE THE M12 NUTS MANUALLY FIRST AND THEN TIGHTEN BY TORQUE WRENCH WITH INTERCHANGEABLE RING HEAD.

**PRE-ASSEMBLY OF PIPE BRACKET BY FIELD INSTALLER  
(BSAMNT-3/-F QTY 2 EA)  
(BSAMNT-M/-MH QTY 1 EA)**

| REQUIRED TORQUE |                 |
|-----------------|-----------------|
| M8              | 25N·m (18ft·lb) |
| M10             | 40N·m (30ft·lb) |
| M12             | 58N·m (43ft·lb) |



**CRITICAL:** THE M10 FASTENERS SET DIRECTION CAN BE REVERSED PER SITE CONDITION AND TOOLS

**CRITICAL:** FOR INITIAL INSTALLATION TO PIPE, DOWNTILT BRACKETS MUST BE CONFIGURED IN PRE-ASSEMBLY POSITION (FULLY COLLAPSED).

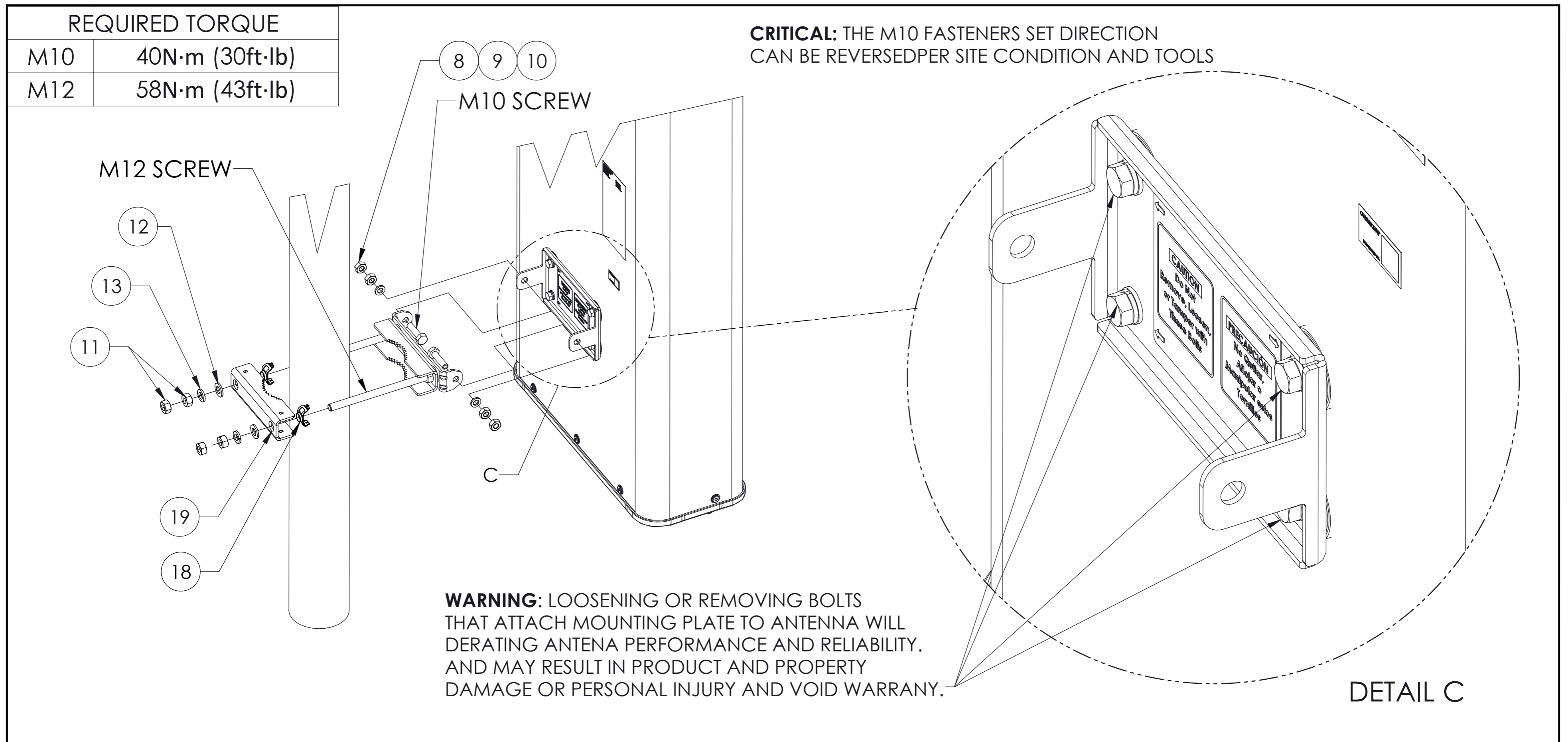
**WARNING:** LOOSENING OR REMOVING BOLTS THAT ATTACH MOUNTING PLATE TO ANTENNA WILL DERATING ANTENNA PERFORMANCE AND RELIABILITY. AND MAY RESULT IN PRODUCT AND PROPERTY DAMAGE OR PERSONAL INJURY AND VOID WARRANTY.

**DETAIL A**

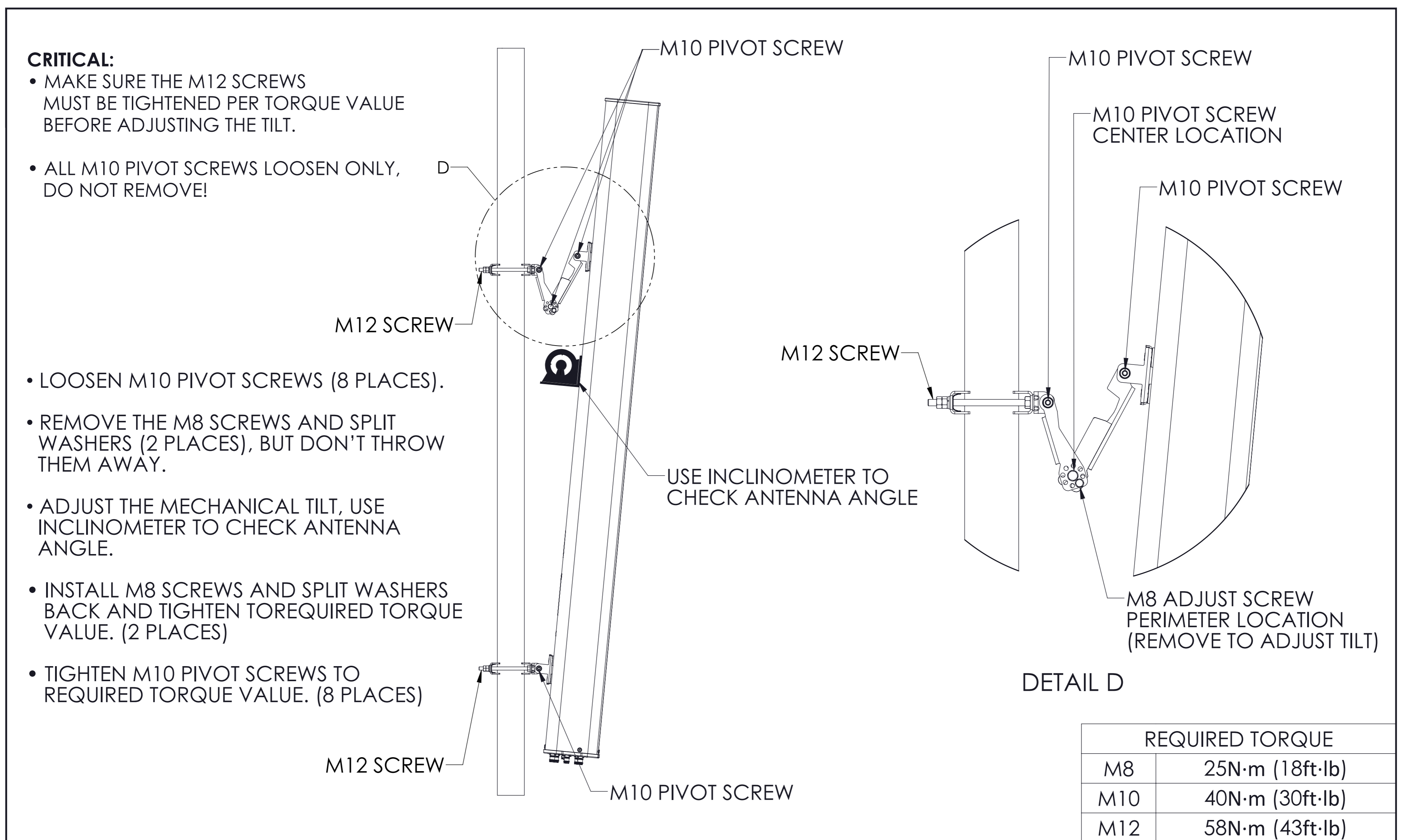
**DETAIL B**

**TOP / MIDDLE MOUNT INSTALLATIONS**





## BOTTOM MOUNT INSTALLATION



## ADJUSTING ANTENNA TILT - 2 POINT MOUNT (NOT APPLICABLE FOR BSAMNT-F)



**CRITICAL:**

- MAKE SURE THE M12 SCREWS MUST BE TIGHTENED PER TORQUE VALUE BEFORE ADJUSTING THE TILT.
- ALL M10 PIVOT SCREWS LOOSEN ONLY, DO NOT REMOVE!

• LOOSEN M10 PIVOT SCREWS (14 PLACES).

• REMOVE THE M8 SCREWS AND SPLIT WASHERS (2 PLACES), BUT DON'T THROW THEM AWAY.

• ADJUST THE MECHANICAL TILT, USE INCLINOMETER TO CHECK ANTENNA ANGLE.

• INSTALL M8 SCREWS AND SPLIT WASHERS BACK AND TIGHTEN TO REQUIRED TORQUE VALUE. (2 PLACES)

• TIGHTEN M10 PIVOT SCREWS TO REQUIRED TORQUE VALUE. (14 PLACES)

| REQUIRED TORQUE |                 |
|-----------------|-----------------|
| M8              | 25N·m (18ft·lb) |
| M10             | 40N·m (30ft·lb) |
| M12             | 58N·m (43ft·lb) |

### ADJUSTING ANTENNA TILT - 3 POINT MOUNT (NOT APPLICABLE FOR BSAMNT-F)

**REMOTE ELECTRICAL TILT CONNECTION**

THE AISG CONNECTOR FITTED TO THE ANTENNA IS DESIGNED TO ACCEPT ANY AISG COMPLIANT CABLE ASSEMBLY, COMMSCOPE RECOMMENDS HAND TIGHTENING AISG MATING CONNECTOR ONLY. APPLIED TORQUE TO THE CONNECTOR SHALL NOT EXCEED 1.5N\*M.

**RF CABLE CONNECTION**

THE FEMALE RF CONNECTORS FITTED TO THE ANTENNA ARE DESIGNED TO FIT JUMPER CABLES WITH STANDARD RELATED MALE RF CONNECTOR. TIGHTEN THE RF CONNECTOR COUPLING ACCORDING TO TORQUE SPECIFICATION IN ANTENNA LABEL, IF THE RF CONNECTORS ARE TIGHTENED BEYOND THE RECOMMEND TORQUE, THE RF CONNECTION TO THE ANTENNA MAY BE DAMAGED.

**SAFETY NOTICE**

THE INSTALLATION, MAINTENANCE, OR REMOVAL OF AN ANTENNA REQUIRES QUALIFIED, EXPERIENCED PERSONNEL. COMMSCOPE INSTALLATION INSTRUCTIONS ARE WRITTEN FOR SUCH INSTALLATION PERSONNEL. ANTENNA SYSTEMS SHOULD BE INSPECTED ONCE A YEAR BY QUALIFIED PERSONNEL TO VERIFY PROPER INSTALLATION, MAINTENANCE, AND CONDITION OF EQUIPMENT.

COMMSCOPE DISCLAIMS ANY LIABILITY OR RESPONSIBILITY FOR THE RESULTS OF IMPROPER OR UNSAFE INSTALLATION PRACTICES.

IT IS RECOMMENDED THAT TRANSMIT POWER BE TURNED OFF WHEN THE FIELD INSTALLATION IS PERFORMED. FOLLOW ALL APPLICABLE SAFETY PRECAUTIONS AS SHOWN ON THIS PAGE.



DO NOT INSTALL NEAR POWER LINES. POWER LINES, TELEPHONE LINES, AND GUY WIRES LOOK THE SAME. ASSUME ANY WIRE OR LINE CAN ELECTROCUTE YOU.



DO NOT INSTALL ON A WET OR WINDY DAY OR WHEN LIGHTNING OR THUNDER IS IN THE AREA. DO NOT USE METAL LADDER.



WEAR SHOES WITH RUBBER SOLES AND HEELS. WEAR PROTECTIVE CLOTHING INCLUDING A LONG-SLEEVED SHIRT AND RUBBER GLOVES.