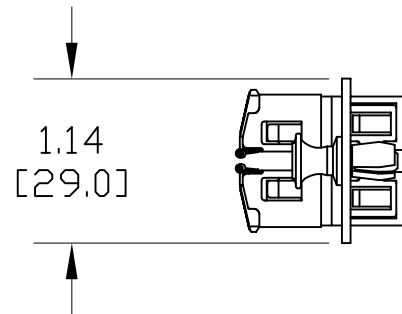
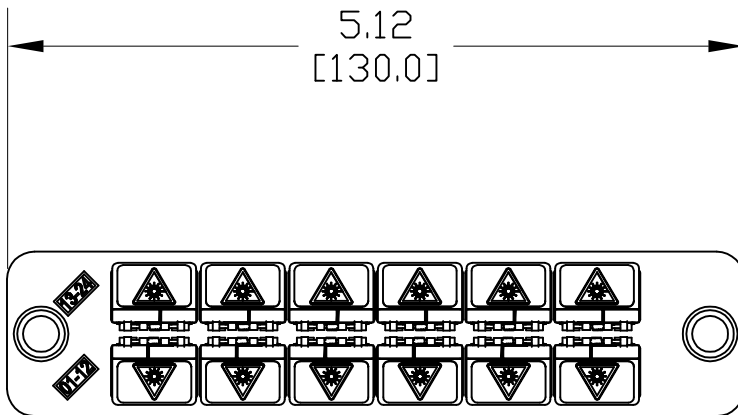


MATERIAL ID	DESCRIPTION	WEIGHT (lbs.)
760027433	MODULAR ADAPTER PANEL, 12LC	0.1

NOTES:

- SEE SYSTIMAX CATALOG FOR PART NUMBER SUFFIXES TO INDICATE COLOR/PKG.
- SEE SYSTIMAX CATALOG FOR COMPLETE LIST OF PARTS RELATED TO THE USE OF THIS PRODUCT.
- DIMENSIONS IN PARENTHESES ARE IN METRIC.
- PART INCLUDES:
 (1) PANEL
 (12) LC DUPLEX ADAPTERS



PANEL, MODULAR, 24LC BLUE SM

COMMSCOPE, INC HICKORY, NORTH CAROLINA

SYSTIMAX® SOLUTIONS

REV	DATE	ECR	DESCRIPTION	BY
1	3/18/09		INITIAL ISSUE	AF

DRAWN BY SEW
DATE 3/18/09

DWG NO. 760027433