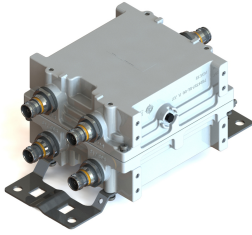


E14F06P16



Twin Diplexer, 600-700/850 MHz

- New 4.3-10 connectors for improved PIM performance and size reduction
- Designed for network Modernization, introduction of LTE700 on existing site
- Twin configuration
- dc/AISG blocking on all ports

Product Classification

Product Type Diplexer

General Specifications

Color Gray

Modularity 2-Twin

Mounting Pole | Wall

Mounting Pipe Hardware Band clamps (2)

RF Connector Interface 4.3-10 Female

Dimensions

Height 181 mm | 7.126 in

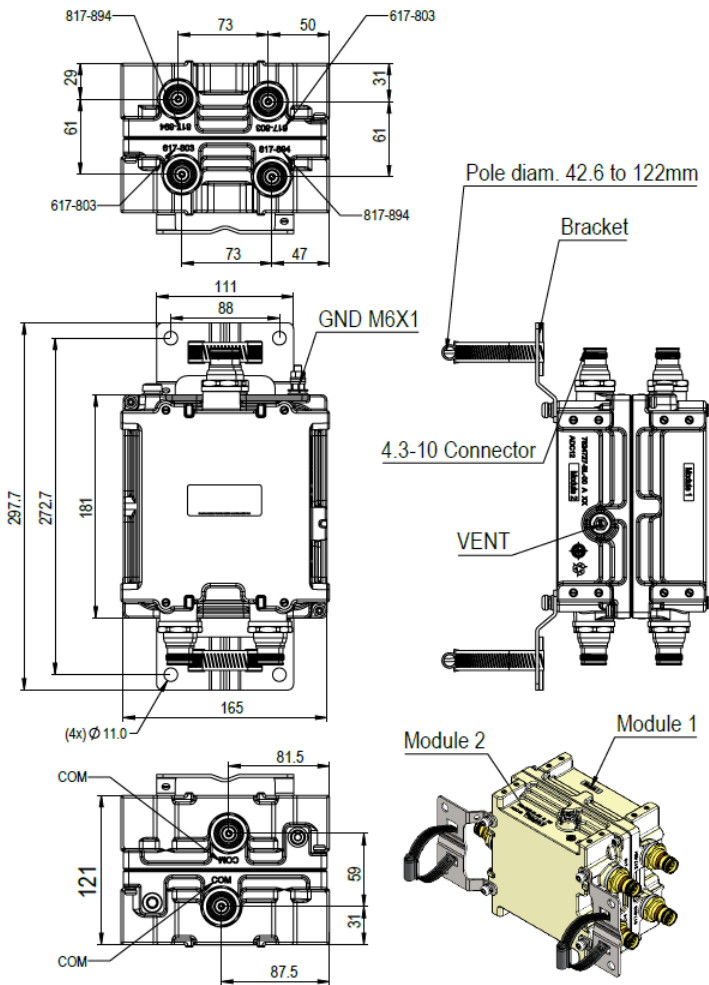
Width 165 mm | 6.496 in

Depth 121 mm | 4.764 in

Mounting Pipe Diameter Range 42.6–122 mm

Outline Drawing

E14F06P16



Electrical Specifications

Impedance	50 ohm
License Band, Band Pass	APT 700 CEL 850 USA 600
Lightning Surge Current	10 kA
Lightning Surge Current Waveform	8/20 waveform

Electrical Specifications, dc Power/Alarm

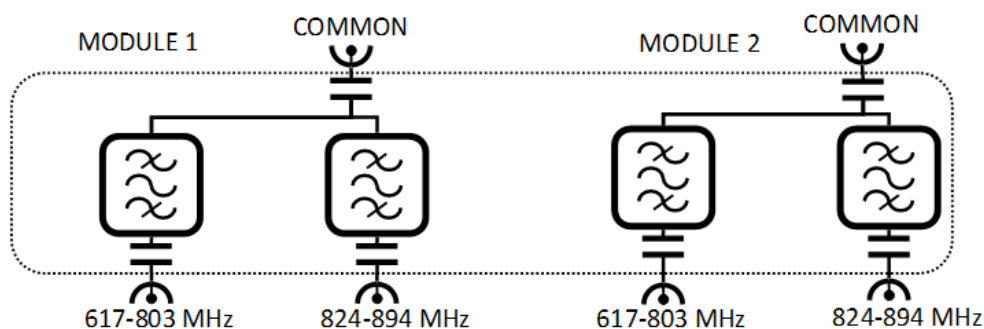
dc/AISG Pass-through Method	No dc/AISG pass-through
dc/AISG Pass-through, combiner	dc/AISG blocking on all ports
dc/AISG Pass-through, demultiplexer	dc/AISG blocking on all ports

Electrical Specifications, Band Pass

E14F06P16

Frequency Range, MHz	617–803	824–894
Insertion Loss, typical, dB	0.3	0.3
Return Loss, minimum, dB	20	20
Isolation, minimum, dB	40	40
Input Power, RMS, maximum, W	200	200
Input Power, PEP, maximum, W	2000	2000
3rd Order PIM, typical, dBc	-163	-163
3rd Order PIM Test Method	Two +43 dBm carriers	Two +43 dBm carriers

Block Diagram



Environmental Specifications

Operating Temperature	-40 °C to +65 °C (-40 °F to +149 °F)
Corrosion Test Method	IEC 60068-2-11, 30 days
Ingress Protection Test Method	IEC 60529:2001, IP67

Packaging and Weights

Included	Mounting hardware
Volume	3.7 L
Weight, net	5 kg 11.023 lb