

TFAM91/18/21-14



ION®-B Series Medium Power Remote Unit for GSM 900, GSM 1800, and UMTS

OBSOLETE

Product Classification

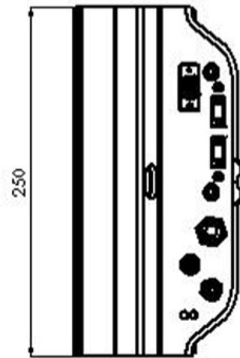
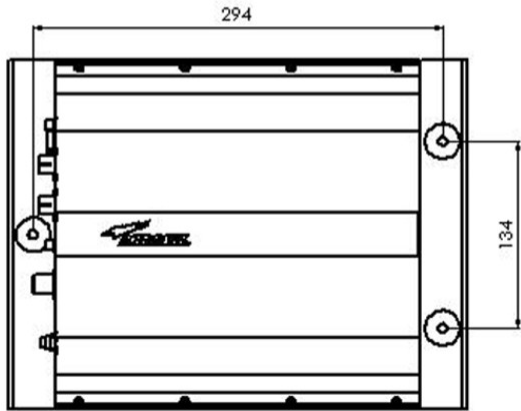
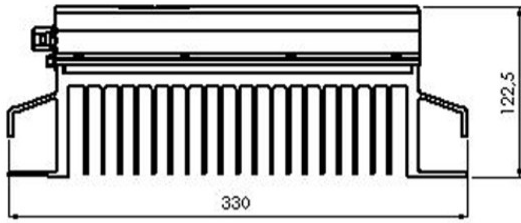
Product Type	Remote unit
Product Brand	ION®-B

General Specifications

Note	Detailed Product Specifications are available. Please contact your local CommScope representative.
Power Class	Medium

Dimension Drawing

TFAM91/18/21-14



Electrical Specifications

Impedance	50 ohm
License Band	EGSM 900 GSM 1800 UMTS
Voltage Range	85 to 265 Vac

Electrical Specifications, Rx (Uplink)

Operating Frequency Band	1710 – 1785 MHz (GSM 1800) 1920 – 1980 MHz (UMTS) 880 – 915 MHz (EGSM 900)
---------------------------------	--

Electrical Specifications, Tx (Downlink)

Operating Frequency Band	1805 – 1880 MHz (DCS 1800) 2110 – 2170 MHz (UMTS) 925 – 960 MHz (CEL 900)
---------------------------------	---

Regulatory Compliance/Certifications

Agency	Classification
CHINA-ROHS	Above maximum concentration value
ISO 9001:2015	Designed, manufactured and/or distributed under this quality management system

TFAM91/18/21-14

ROHS Compliant/Exempted

UK-ROHS Compliant/Exempted



Included Products

TPSN1/28-80 – Power Supply Adapter ION®-B Series Remote Units, 80 W

TPSN1/28-80

Power Supply Adapter ION®-B Series Remote Units, 80 W



Product Classification

Product Type

Power adapters

Product Brand

ION®-B

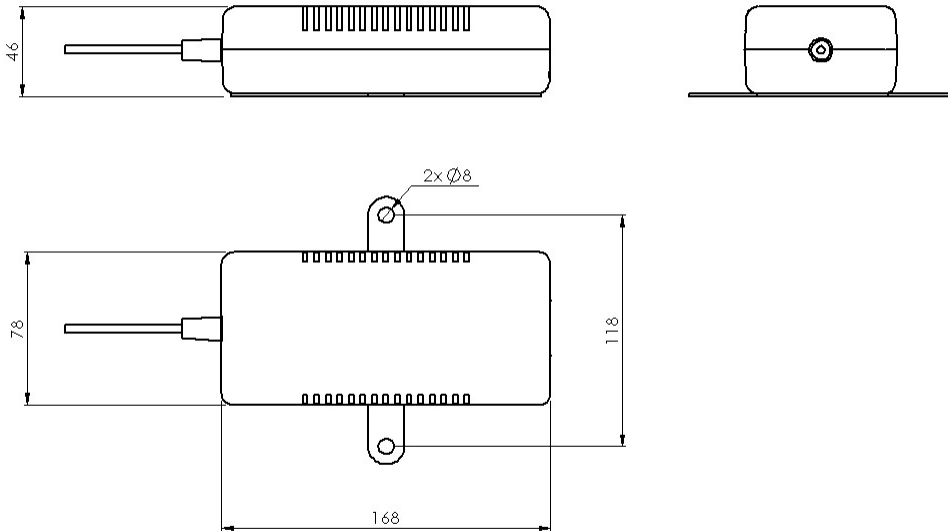
General Specifications

Note

Detailed Product Specifications are available. Please contact your local CommScope representative.

Dimension Drawing

TPSN1/28-80



Electrical Specifications

Output Power, maximum

80 W

Regulatory Compliance/Certifications

Agency

ISO 9001:2015

Classification

Designed, manufactured and/or distributed under this quality management system

