

# TFAH70/80-34

---



ION®-B Series High Power Remote Unit for LMR700 and LMR800

**OBSOLETE**

## Product Classification

**Product Type** Remote unit

**Product Brand** ION®-B

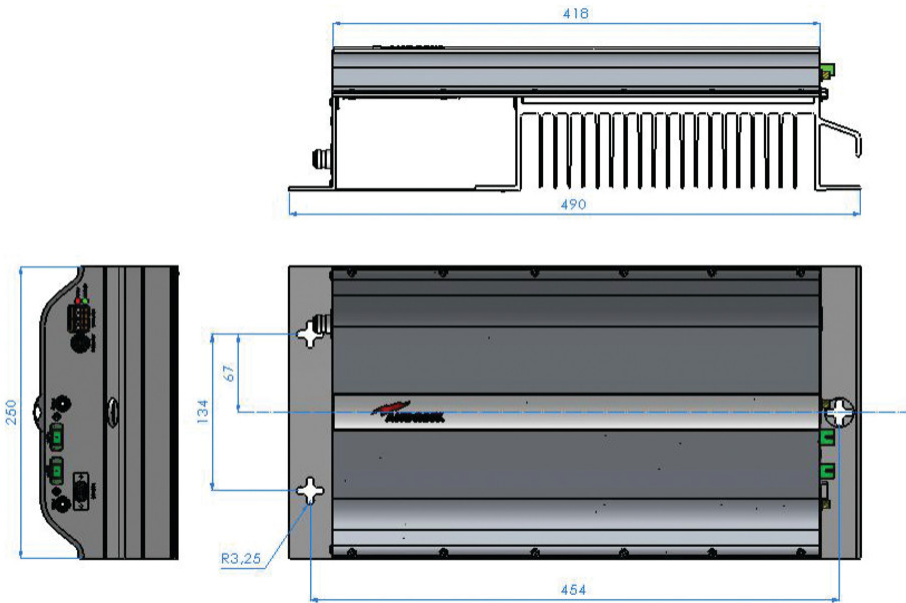
## General Specifications

**Note** Detailed Product Specifications are available. Please contact your local CommScope representative.

**Power Type** High

## Dimension Drawing

# TFAH70/80-34



## Electrical Specifications

<b>Impedance</b>	50 ohm
<b>License Band</b>	LMR 700   LMR 800
<b>Voltage Range</b>	-60 to -38 Vdc

## Electrical Specifications, Rx (Uplink)

<b>Operating Frequency Band</b>	788 – 806 MHz (LMR 700)   806 – 824 MHz (LMR 800)
---------------------------------	---

## Electrical Specifications, Tx (Downlink)

<b>Operating Frequency Band</b>	758 – 775 MHz (LMR 700)   851 – 869 MHz (LMR 800)
---------------------------------	---

## Regulatory Compliance/Certifications

<b>Agency</b>	<b>Classification</b>
ISO 9001:2015	Designed, manufactured and/or distributed under this quality management system



## Included Products

TPSN3/28-130 – Power Supply Adapter ION®-B Series Remote Units, 130

# TFAH70/80-34

---

W