

TFAH70/80-14



ION®-B Series High Power Remote Unit for LMR700 and LMR800

OBSOLETE

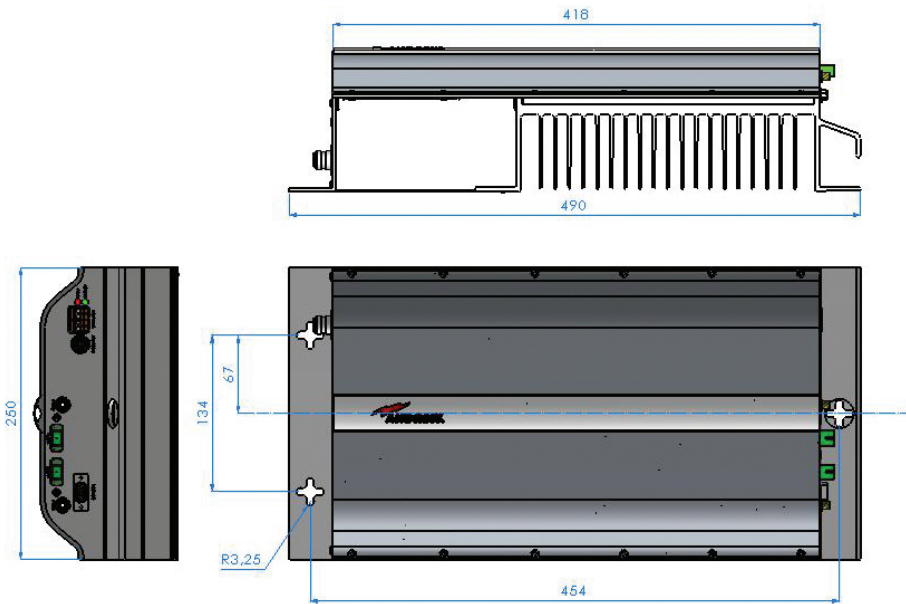
Product Classification

Product Type	Remote unit
Product Brand	ION®-B

General Specifications

Note	Detailed Product Specifications are available. Please contact your local CommScope representative.
Power Class	High

Dimension Drawing



TFAH70/80-14

Electrical Specifications

Impedance	50 ohm
License Band	LMR 700 LMR 800
Voltage Range	85 to 265 Vac

Electrical Specifications, Rx (Uplink)

Operating Frequency Band	788 – 806 MHz (LMR 700) 806 – 824 MHz (LMR 800)
---------------------------------	---

Electrical Specifications, Tx (Downlink)

Operating Frequency Band	758 – 775 MHz (LMR 700) 851 – 869 MHz (LMR 800)
---------------------------------	---

Regulatory Compliance/Certifications

Agency	Classification
ISO 9001:2015	Designed, manufactured and/or distributed under this quality management system



Included Products

TPSN1/28-150	– Power Supply Adapter ION®-B Series Remote Units, 150 W
--------------	--

TPSN1/28-150



Power Supply Adapter ION®-B Series Remote Units, 150 W

Product Classification

Product Type	Power adapters
Product Brand	ION®-B

General Specifications

Note	Detailed Product Specifications are available. Please contact your local CommScope representative.
-------------	--

Dimension Drawing

Electrical Specifications

Output Power, maximum	150 W
------------------------------	-------

Regulatory Compliance/Certifications

Agency	Classification
ISO 9001:2015	Designed, manufactured and/or distributed under this quality management system

