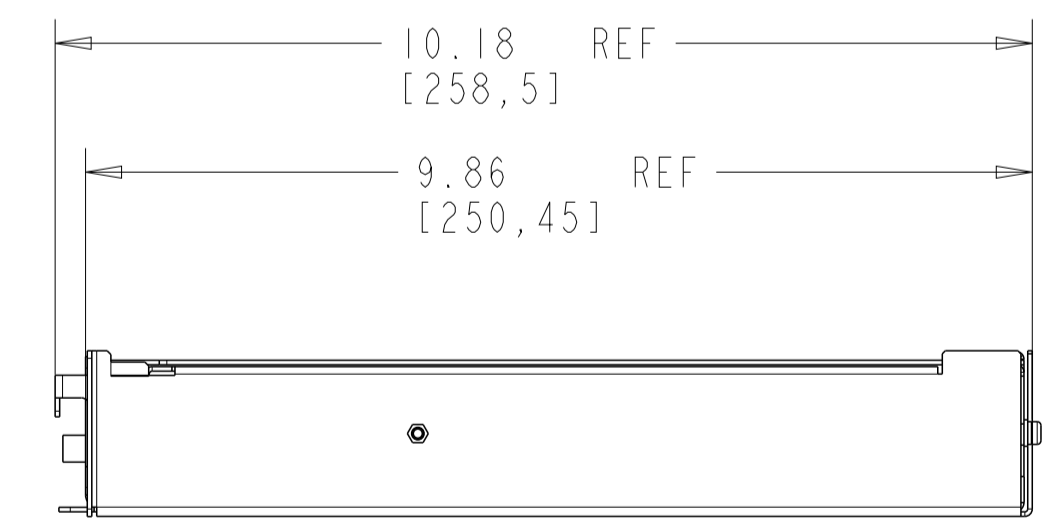
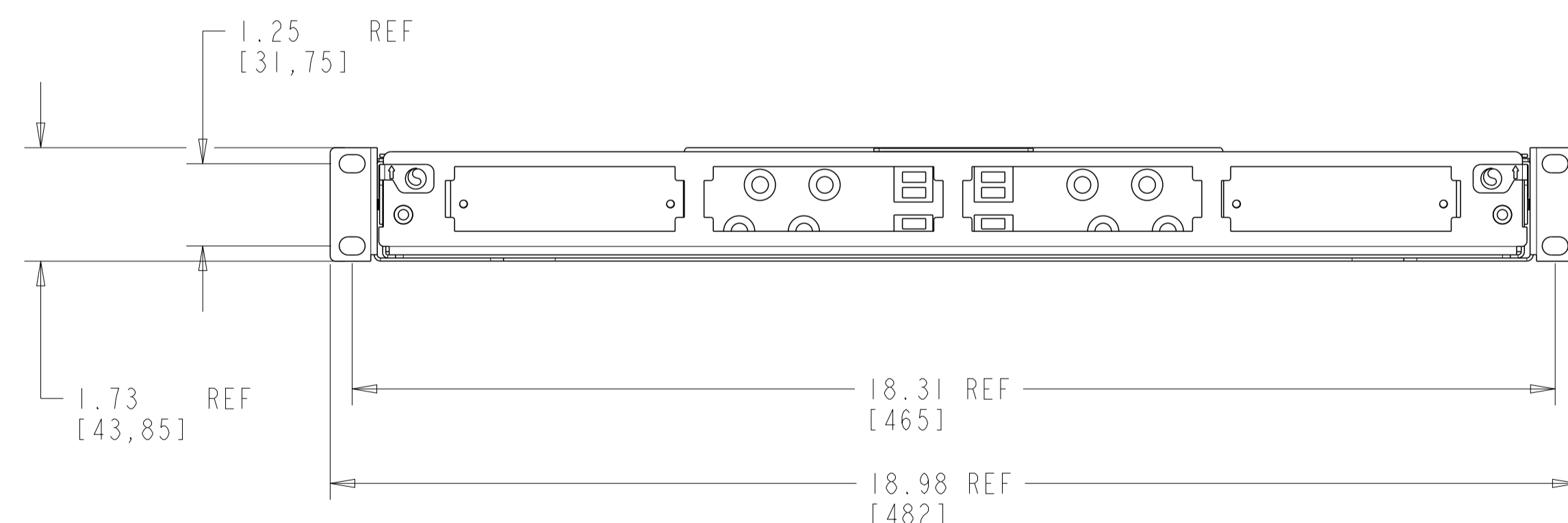
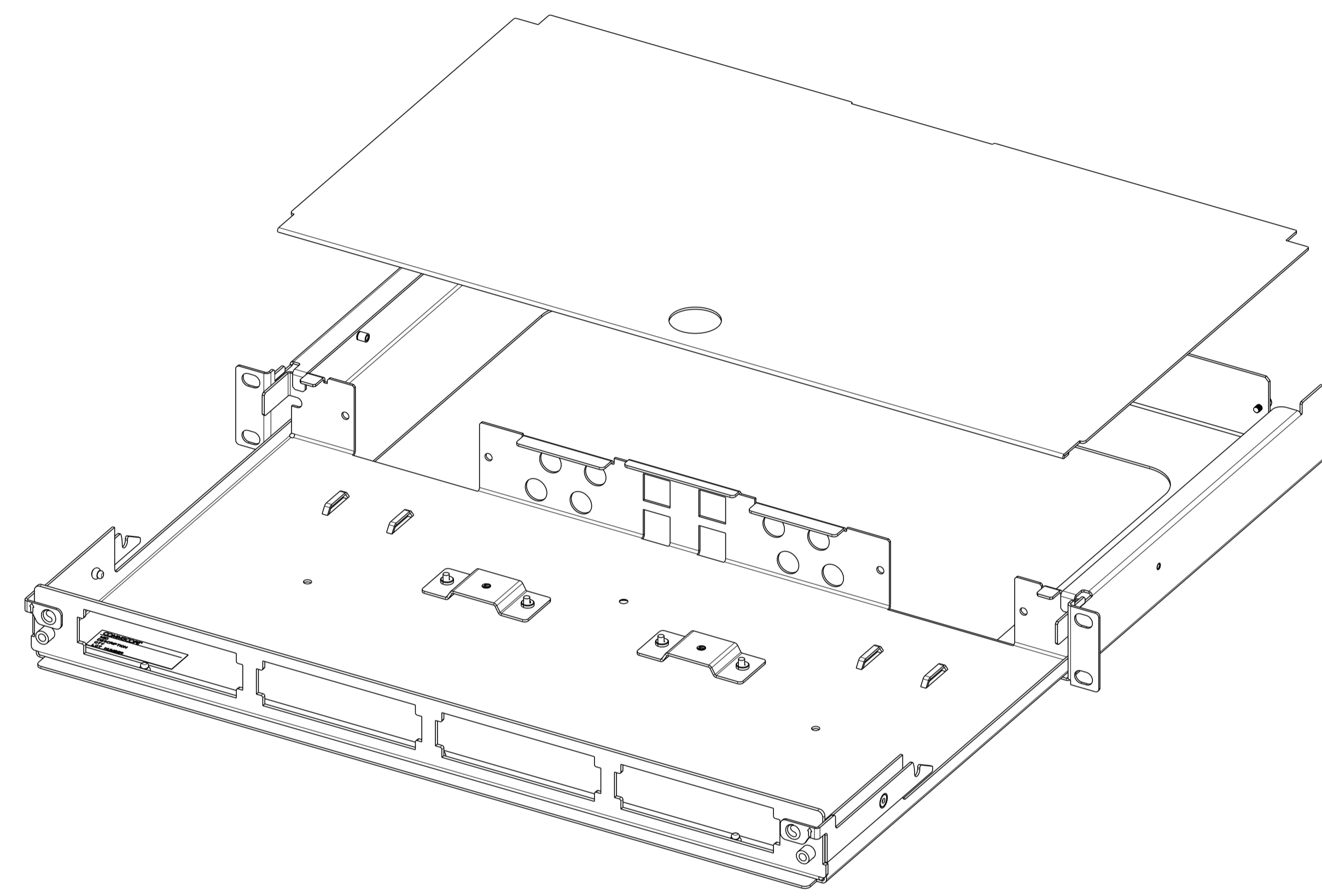
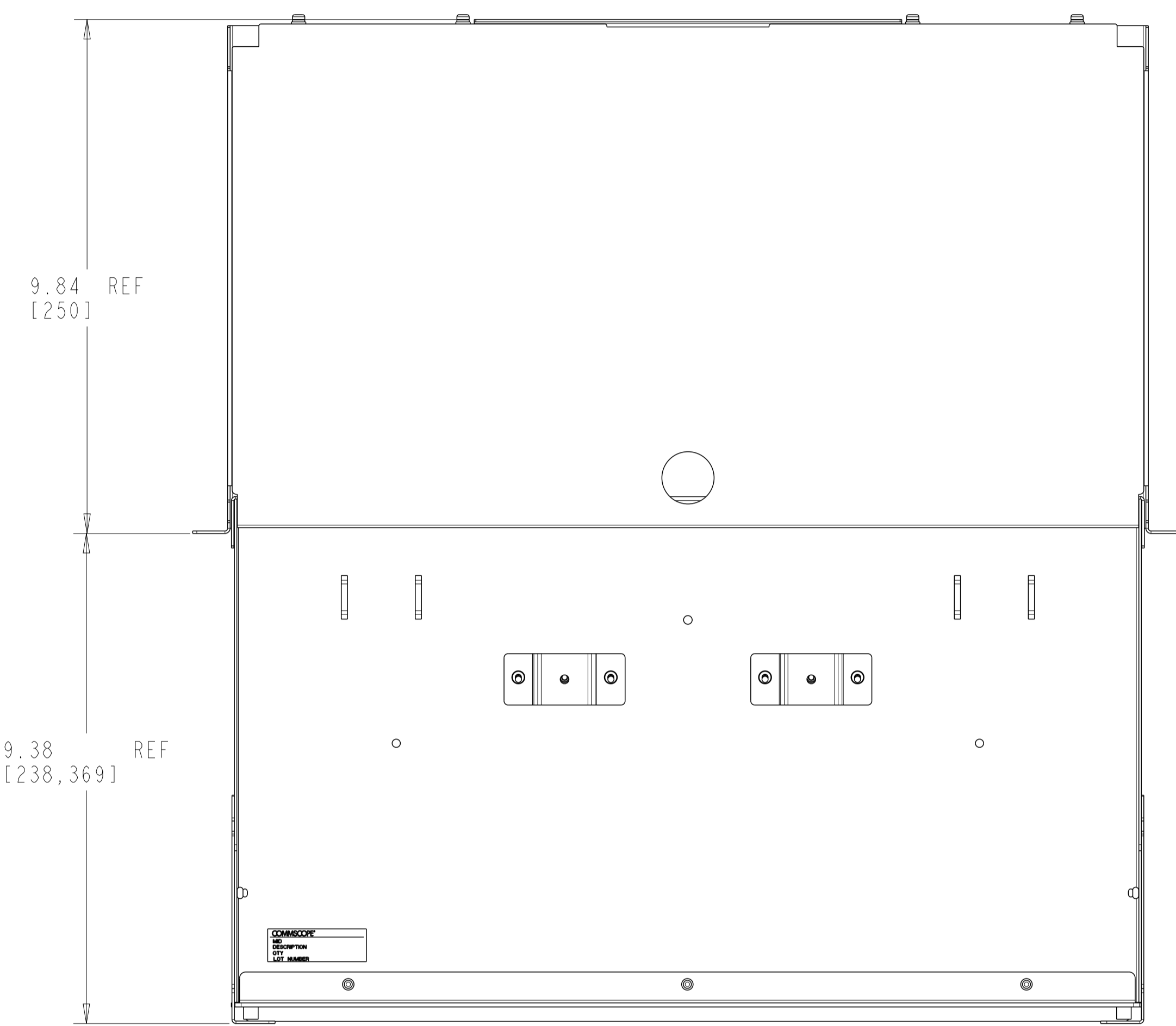


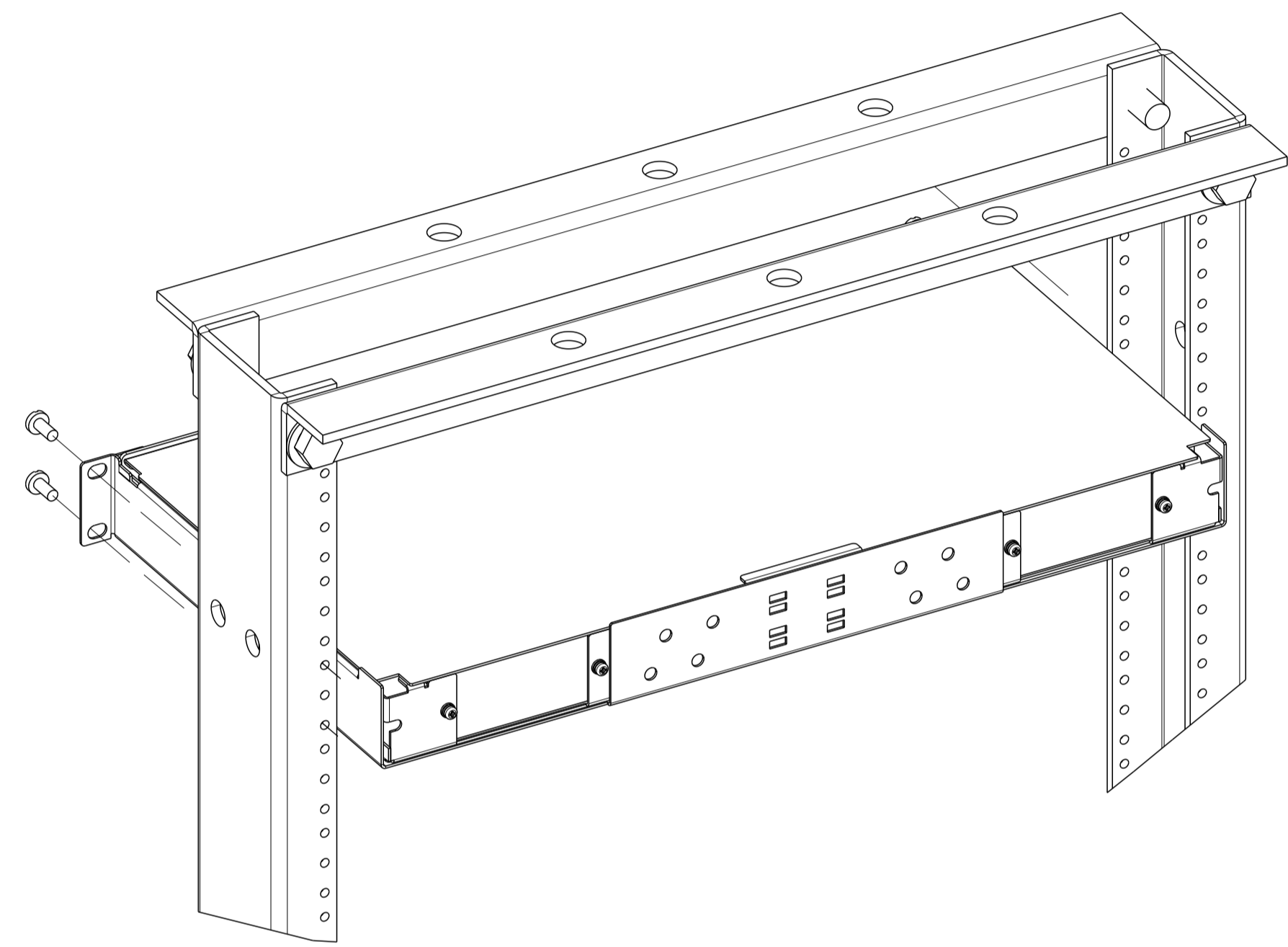
REVISIONS			
REV	DESCRIPTION	DATE	APPROVED
A	NA	21-FEB-2019	AL



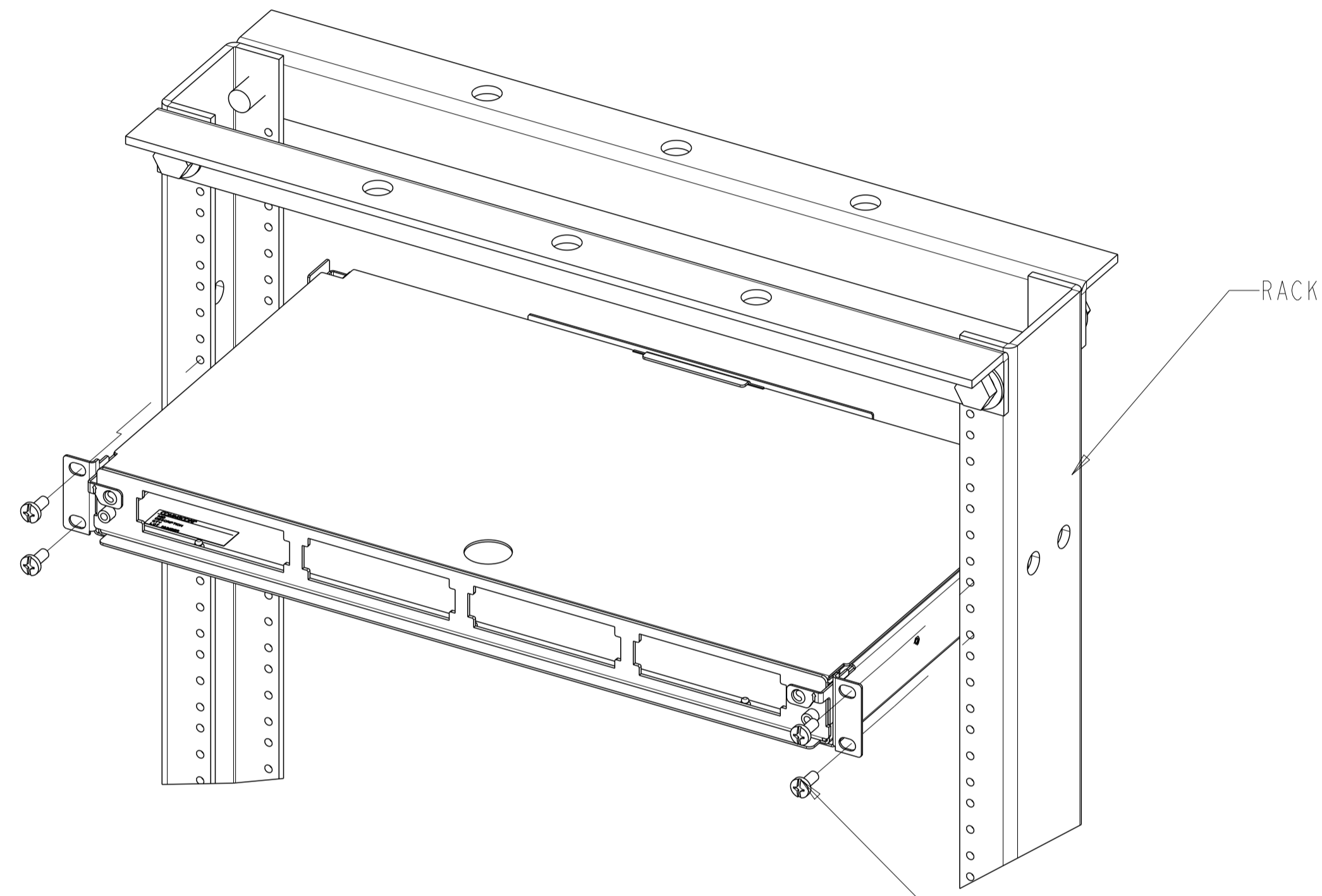
NOTES:
1. ALL DIMENSIONS IN INCHES (mm) UNLESS NOTED.

COMMSCOPE, INC.									
TOLERANCES					SAP MATERIAL MASTER				
N/A									
FINISH					MATERIAL				
N/A					N/A				
UNLESS OTHERWISE SPECIFIED DIMENSIONS ARE IN MILLIMETERS	DRAFTER	A.LI			TITLE				
	CHECKER	M.DONG			AGL-IU-DRW-SL INSTALLATION DRAWING				
	ENGINEER	A.LI			SIZE	SCALE	DOCUMENT NO.		
	CMO				A	0.500	660003122		
ALL SURFACES	WORK AREA: 52	MODEL			DRAWING		SHEET		
✓	⊕	VERSION	STATUS	REVISION	VERSION	STATUS	REVISION	VERSION	STATUS
		01							

© 2019 CommScope, Inc. Confidential
NOTICE: These drawings and specifications are the proprietary property of COMMSCOPE, INC. and may be used only for the specific purpose authorized in writing by COMMSCOPE, INC.



REAR VIEW
RACK FOR REFERENCE



FRONT VIEW
RACK FOR REFERENCE

INSTALL THE PANEL TO FRAME USING
SCREWS (4) PROVIDED WITH UNIT

COMMSCOPE, INC.			
TITLE			
SIZE	SCALE	DOCUMENT NO.	
A1	0.333	660003122	
DRAWING			SHEET
VERSION STATUS REVISION			2 OF 2

© 2019 CommScope, Inc. Confidential
 NOTICE: These drawings and specifications are the proprietary property of COMMSCOPE, INC.
 and may be used only for the specific purpose authorized in writing by COMMSCOPE, INC.