

649626 Revision B, May 2016

Updating Firmware of E-ATM300 Actuators Using the EFCT Software Application with ATC200-LITE-USB Control System



Notices and Precautions

IMPORTANT

Before installing/operating the ATC200-LITE-USB controller, please **DOWNLOAD the latest controller software** from the Commscope web site at www.commscope.com/Resources/Software. The software on the Web always has the latest released firmware and antenna definition files. Please register online to receive E-mail notifications for software updates.

WARRANTY NOTICE

Proper installation procedures must be followed when installing and operating RET equipment. Failure to assure installations are done properly by trained installation personnel and to follow procedures discussed in this bulletin may cause warranty for such products to be void. CommScope requires that all RET installations be pre-tested and configured prior to installation using the latest controller software version. Failure to conduct pre-test and pre-installation procedures defined by CommScope will void warranty.

SAFETY NOTICE

The installation, maintenance, or removal of an antenna requires qualified, experienced personnel. CommScope installation instructions are written for such installation personnel. Antenna systems should be inspected once a year by qualified personnel to verify proper installation, maintenance, and condition of equipment.

CommScope disclaims any liability or responsibility for the results of improper or unsafe installation practices.

It is recommended that transmit power be turned off when the field installation is performed. Follow all applicable safety precautions as shown on this page.



Do not install near power lines. Power lines, telephone lines, and guy wires look the same. Assume any wire or line can electrocute you.



Do not install on a wet or windy day or when lightning or thunder is in the area. Do not use metal ladder.



Wear shoes with rubber soles and heels. Wear protective clothing including a long-sleeved shirt and rubber gloves.

Updating Firmware of E-ATM300 Actuators

1.0 Introduction

This document describes how to upgrade actuator firmware of E-ATM300 actuators set to the Ericsson proprietary protocol using the ATC200-LITE-USB portable controller. Please note that the portable controller requires AC power supply.

The CommScope EFCT controller software is required to be installed on a laptop. Visit the CommScope web-site at www.commscope.com to download the latest software and installation instructions.

2.0 Options

In order to upgrade actuator firmware, the CommScope portable controller needs to have a data connection to the actuator. That can be achieved in two different ways.

2.1 Option 1: Using a RET jumper cable

If the antenna is not installed yet, or if the portable controller can be moved close to the actuator, then a short RET jumper cable can be used to connect the portable controller to the actuator. See Figure 2-1.

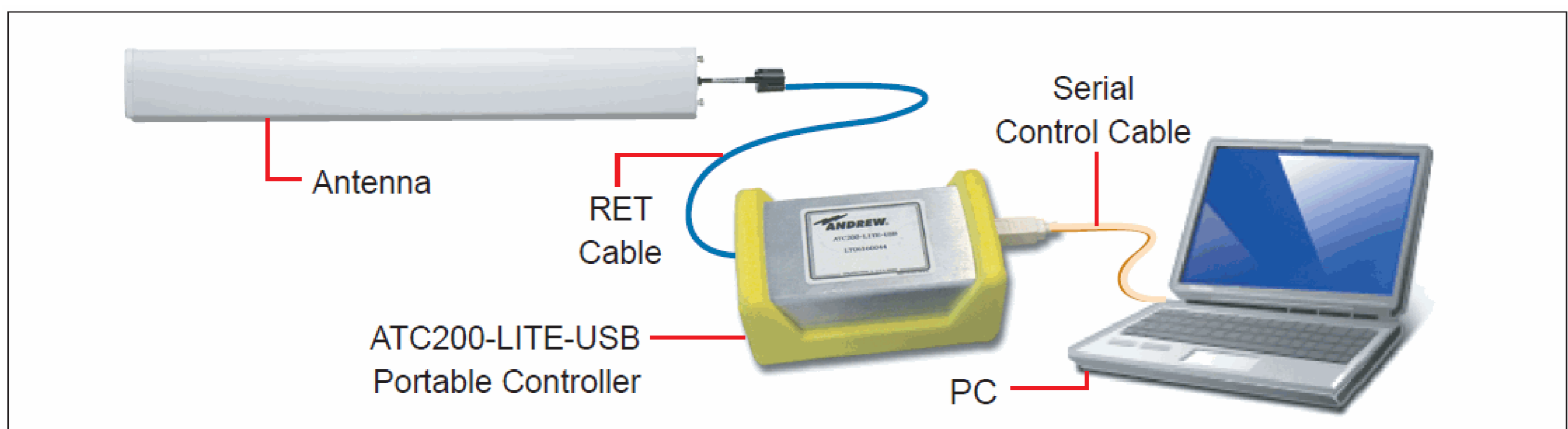


Figure 2-1. Option 1: Upgrading Actuator Firmware Through a RET Jumper Cable.

Required Material:

- 1 ea ATC200-LITE-USB, plus the included serial control cable
 - 1 ea Short RET cable, e.g. ATCB-B01-001
 - 1 ea Laptop with the latest version of EFCT, running on Windows 2000, XP, or Vista operating system
-

Note: It is important to use the serial control cable when using the EFCT application. DO NOT use the USB cable with the EFCT application.

2.2 Option 2: Using a RET home-run cable

If the actuator is already installed, then a home-run RET cable can be used to connect the actuator to the portable controller (Figure 2-2).

After successful firmware upgrade, disconnect the home run cable. Re-attach the small RET jumper cable (that was previously disconnected) to the actuator.

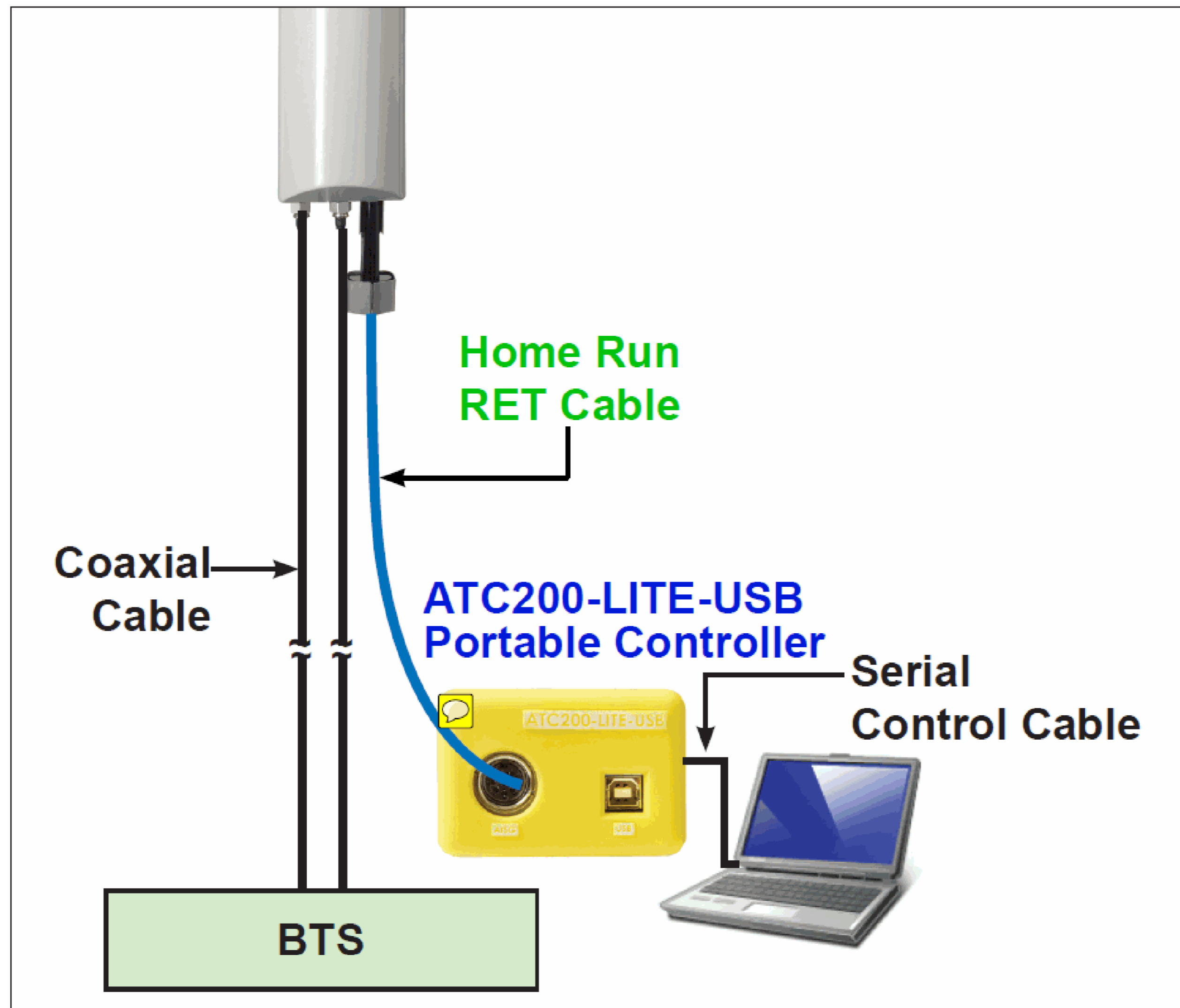


Figure 2-2. Upgrading E-ATM300 Actuator Firmware Through a RET Home-Run Cable.

Required Material:

- 1 ea ATC200-LITE-USB, plus the included serial control cable
- 1 ea Home run cable, e.g. ATCB-B01-060
- 1 ea Laptop with the latest version of EFCT, running on Windows 2000, XP, or Vista operating system

Note: It is important to use the serial control cable when using the EFCT application. DO NOT use the USB cable with the EFCT application.

3.0 Updating Firmware

1. Connect the actuator to the ATC200-LITE-USB controller.
2. Connect the laptop to the ATC200-LITE-USB controller using a serial control cable.
3. Start the latest version of the EFCT software application.
4. Click "OK" (Figure 3-1).

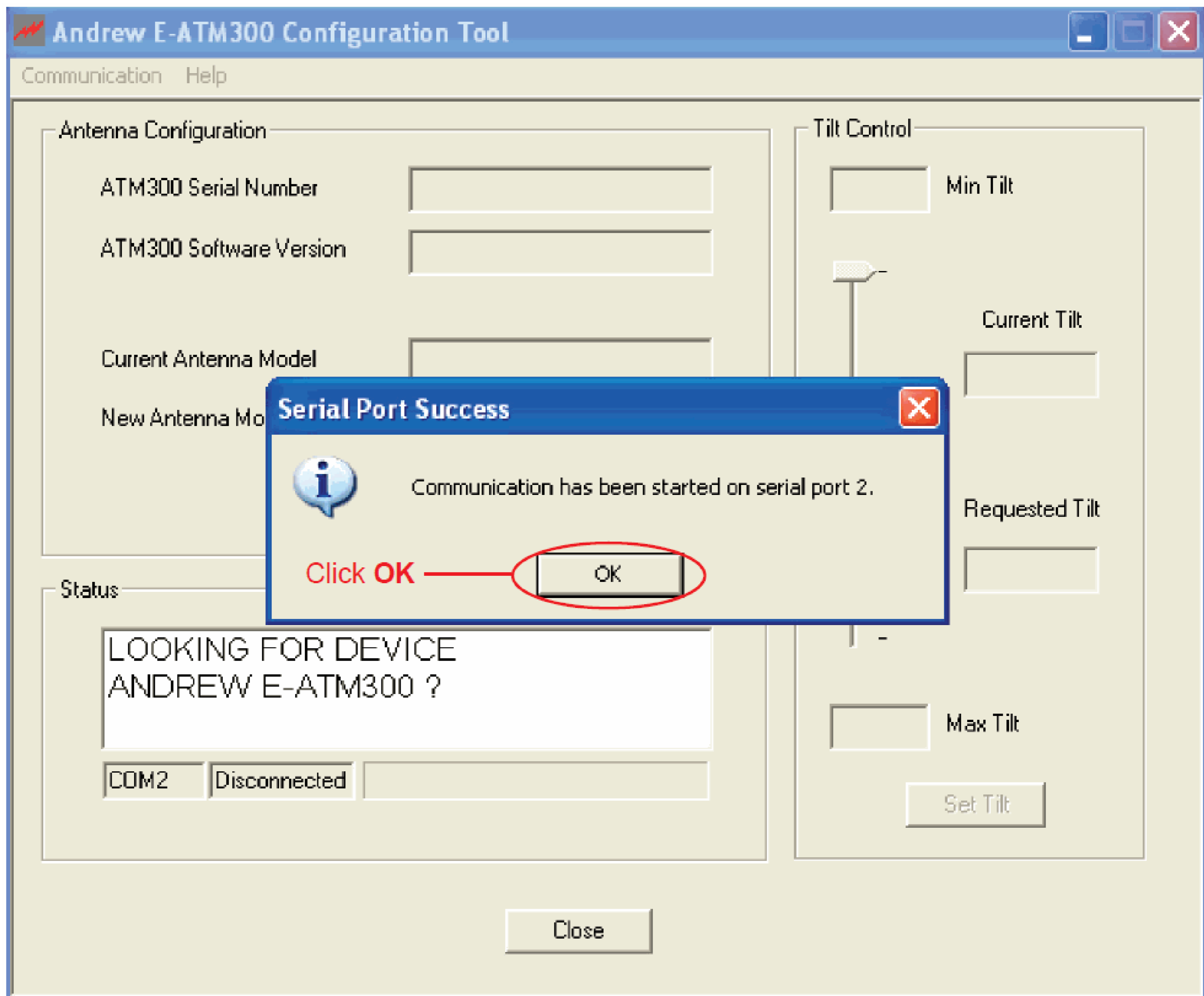


Figure 3-1. EFCT Software Application Started.

5. Once the device is found, the EFCT program will compare the actuator version of the firmware with what is stored in the program. If the program has a newer version it will proceed with the upgrade. In this example, you can see that the device currently holds version 2.0.21 (Figure 3-2). The EFCT program contains version 2.0.22 and starts the upgrade.

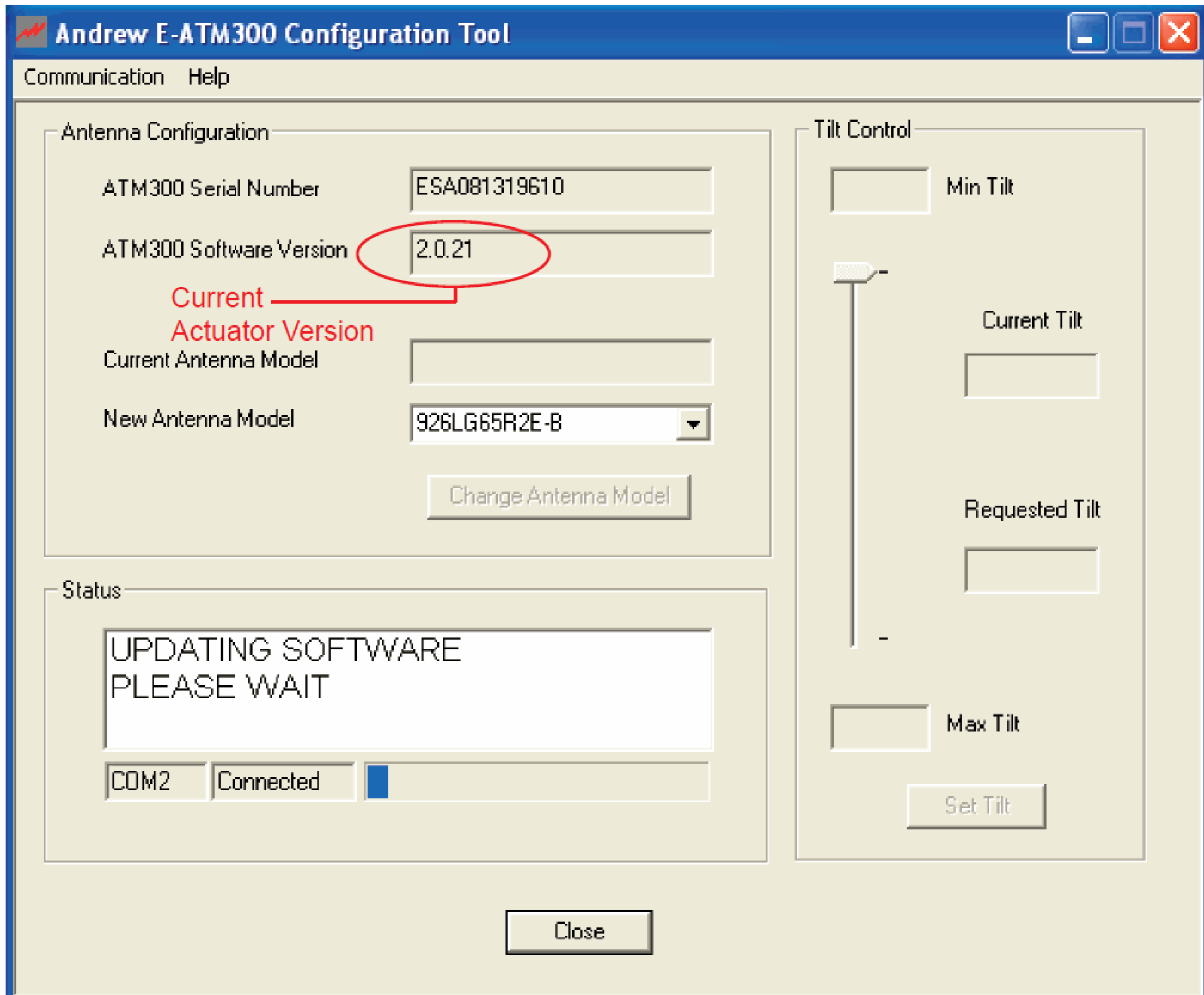


Figure 3-2. EFCT Detecting Current Actuator Software Version.

6. The upgrade is now complete. You will see the actuator software version change (Figure 3-3).

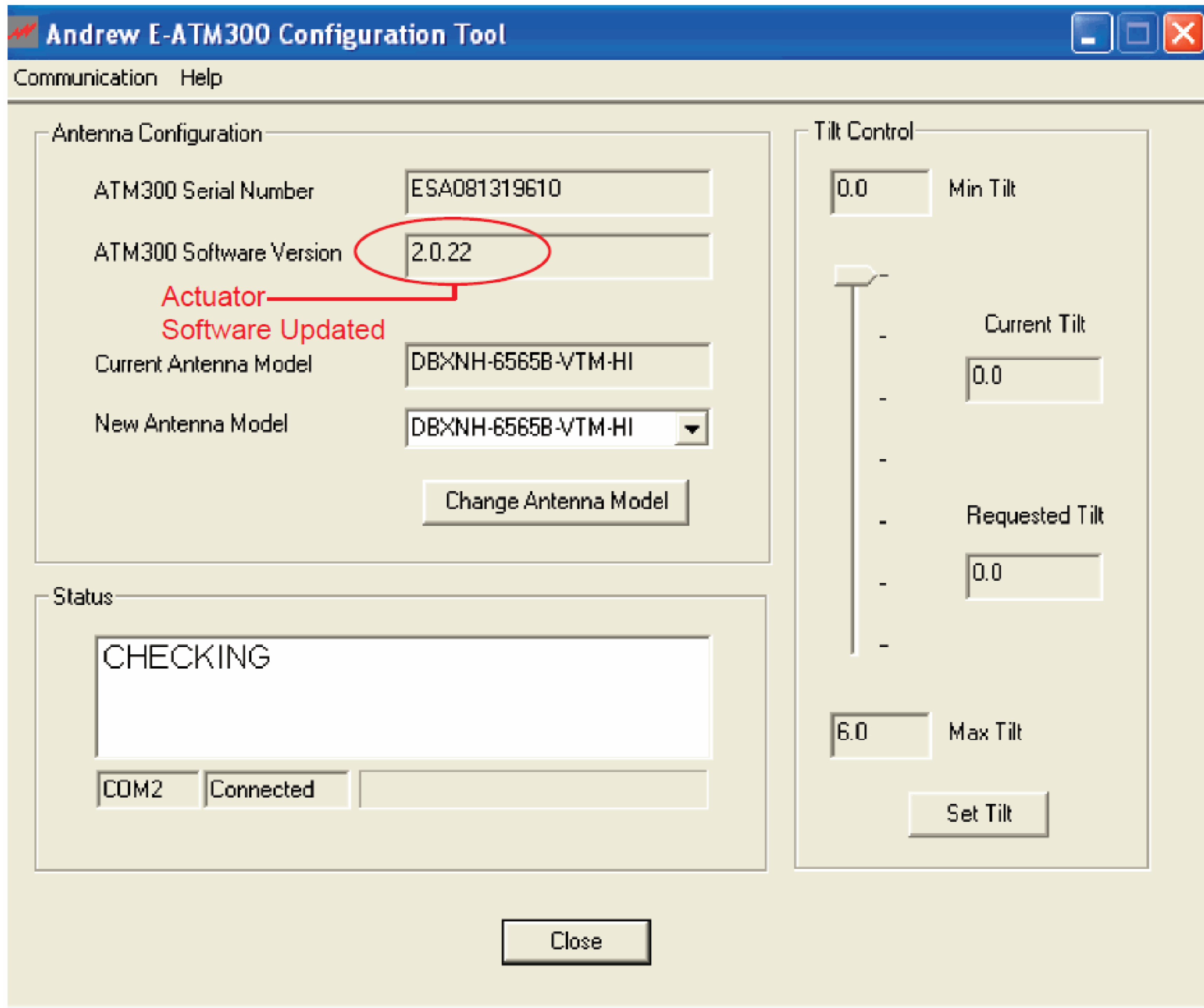


Figure 3-3. Actuator Software Version Updated.

7. When "Status" reports "Ready". You can now perform movement of the device or change configuration of the actuator (Figure 3-4).
8. If the "Status" remains locked in "Checking" status, close and restart the program. This will allow you to proceed with testing.
9. Upgrade is complete.

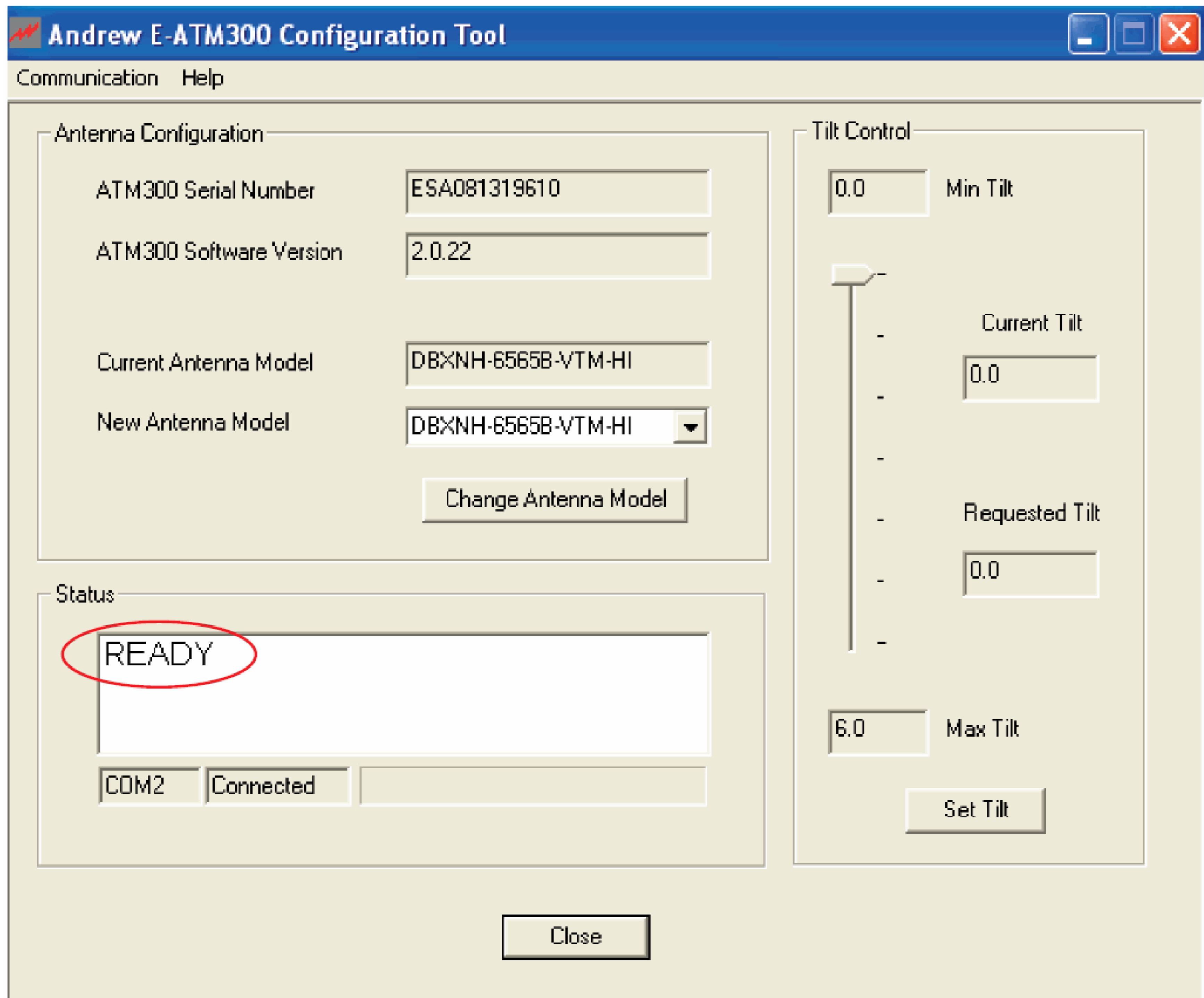


Figure 3-4. Actuator is Ready for Configuration.