

639831 Revision D, Feb 2017

Side-By-Side Mounting Kit

LNXX-MNT / LNXX-MNT-M

GENERAL INFORMATION

The LNXX-MNT / LNXX-MNT-M Mounting Kits allow two antennas to be joined together side-by-side and mounted to a tower as a single antenna. This kit can be used with antennas that have the same type mounting plate as shown in Figure 1.

PRE-INSTALLATION INSTRUCTIONS

- **Thoroughly read the directions included in this bulletin before starting to assemble parts.**
- Carefully remove all parts from the shipping boxes. Examine the antenna and hardware to ensure that all parts are enclosed and that there is no physical damage.
- Check to ensure that the antenna feed connector mates with the jumper cable.
- Verify that frequency range shown on the label on the back of the antenna matches the frequency range of the station equipment.
- Position the antennas so that the drain holes are directed down toward the ground.

GENERAL INFORMATION

- LNXX-MNT / LNXX-MNT-M kits are used to mount two antennas side-by-side. Kits' details as Figure 2.
- For 2 points mount antenna, use one set of LNXX-MNT to mount two antennas side by side.
- For 3 points mount antenna, use one set of LNXX-MNT and one set of LNXX-MNT-M to mount two antennas side by side.
- The LNXX-MNT kit contains two 627281 mounting brackets and one BSAMNT-3 downtilt kit. The LNXX-MNT-M kit contains one 627281 mounting bracket and one BSAMNT-MH downtilt kit. Refer to Bulletin 639840-1, included with the BSAMNT-3 and BSAMNT-MH kit for proper antenna installation.

627281 MOUNTING BRACKET INSTALLATION

Using the 627281 mounting brackets and hardware provided, assemble two antennas side-by-side. Tighten the M10 nut with torque 37 N.m. Refer to Figures 1 and 3.

(continued on page 2)

(Continued from page 1)

For 2 points mount antenna, respectively attach a 627281 mounting bracket on the top and the bottom antenna plates.
 For 3 points mount antenna, respectively attach a 627281 mounting bracket on the top, middle and the bottom antenna plates.

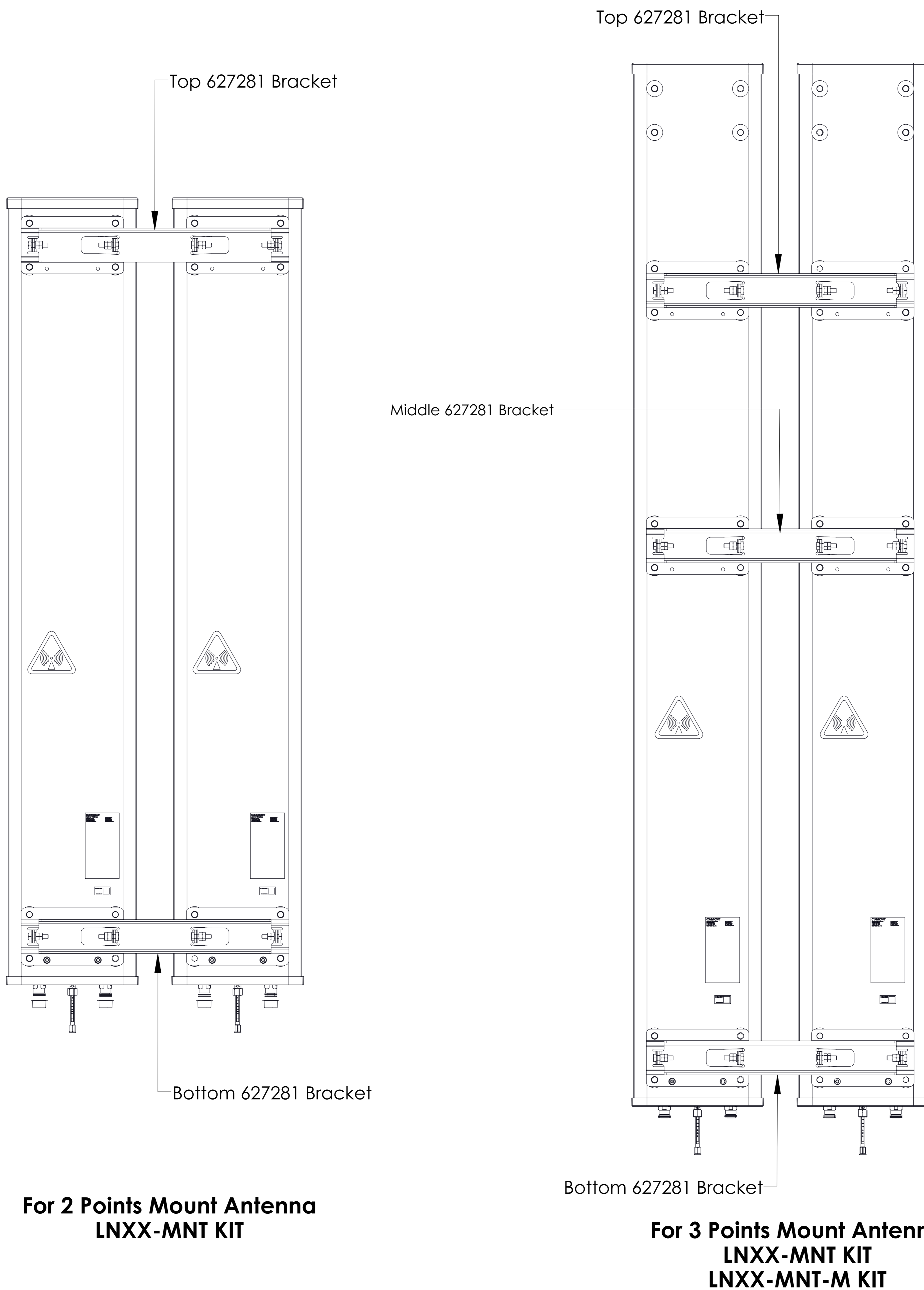


Figure 1. Methods for Antenna Assembly Using 627281 Mounting Brackets.

(continued on page 3)

(Continued from page 2)

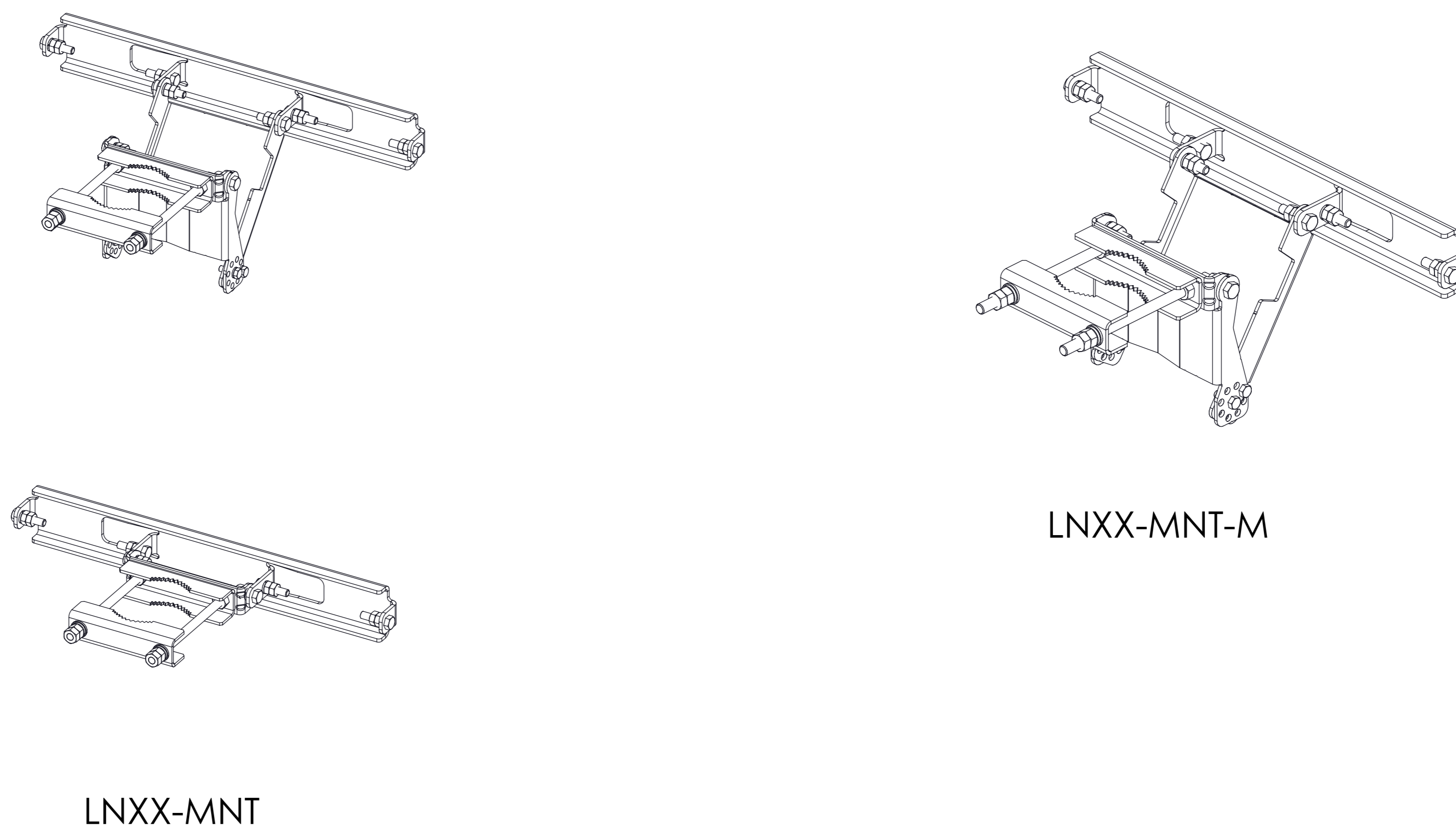


Figure 2. LNXX-MNT & LNXX-MNT-M kits.

TORQUE : M10 = 37 N.m

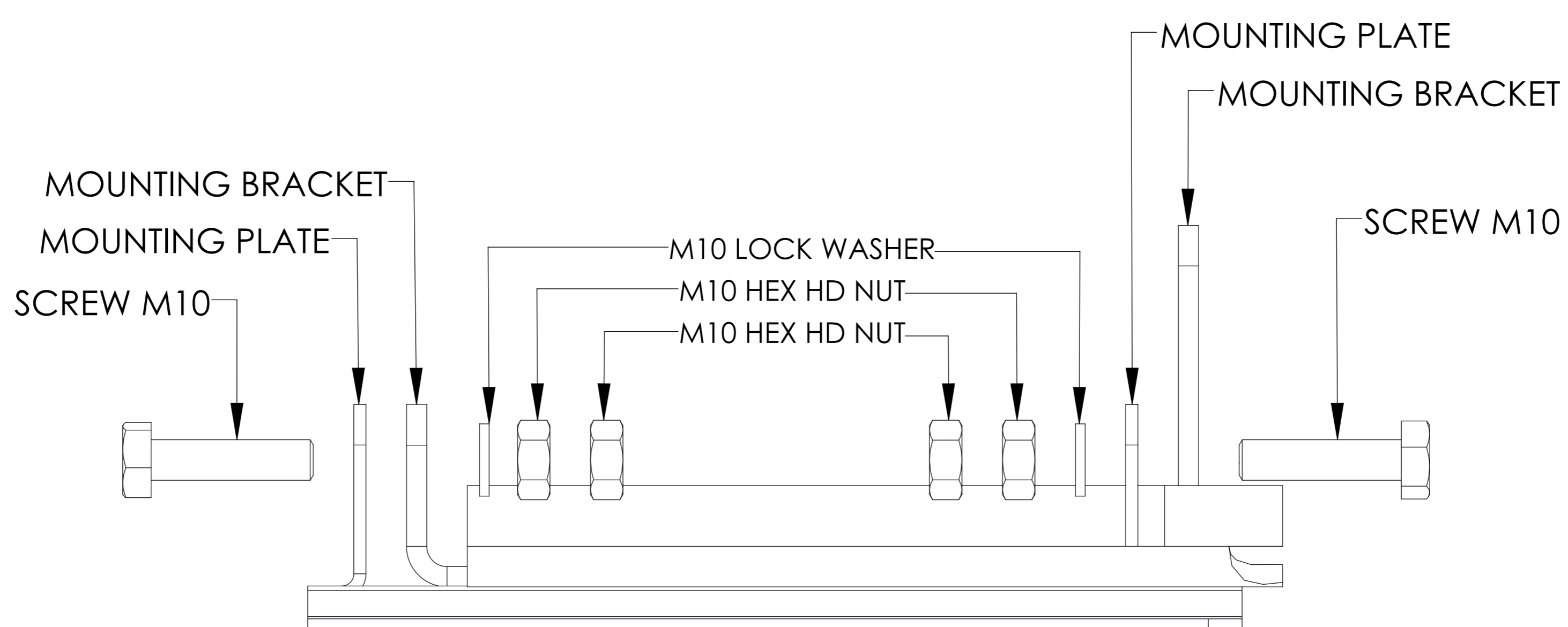


Figure 3. Attaching 627281 Mounting Bracket to Antenna.

(continued on page 4)

(Continued from page 3)

Refer to Bulletin 639840-1 for instructions on using the pipe mount and downtilt bracket(s) to attach the side-by-side antenna assembly to the mast. (Bulletin 639840-1 is included with the BSAMNT-3 and BSAMNT-MH kit.)

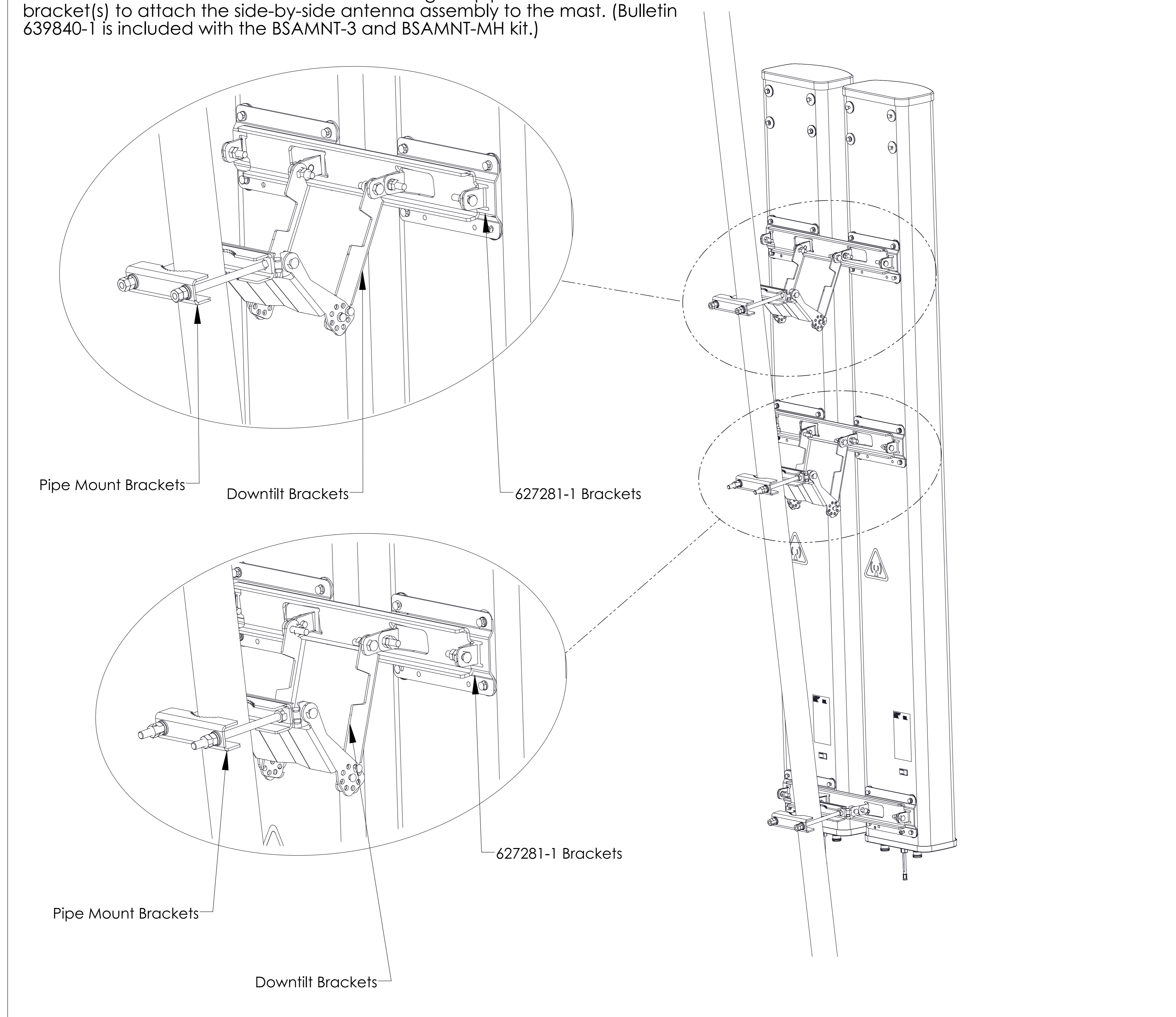


Figure 4. Antenna Assembly Attached to Mast Using LNXX-MNT / LNXX-MNT-M Mounting Kits.

SAFETY NOTICE

The installation, maintenance, or removal of an antenna requires qualified, experienced personnel. CommScope installation instructions are written for such installation personnel. Antenna systems should be inspected once a year by qualified personnel to verify proper installation, maintenance, and condition of equipment.

CommScope disclaims any liability or responsibility for the results of improper or unsafe installation practices.

It is recommended that transmit power be turned off when the field installation is performed. Follow all applicable safety precautions as shown on this page.



Do not install near power lines. Power lines, telephone lines, and guy wires look the same. Assume any wire or line can electrocute you.



Do not install on a wet or windy day or when lightning or thunder is in the area. Do not use metal ladder.



Wear shoes with rubber soles and heels. Wear protective clothing including a long-sleeved shirt and rubber gloves.