

Mounting Kits For Wide Panel Antennas

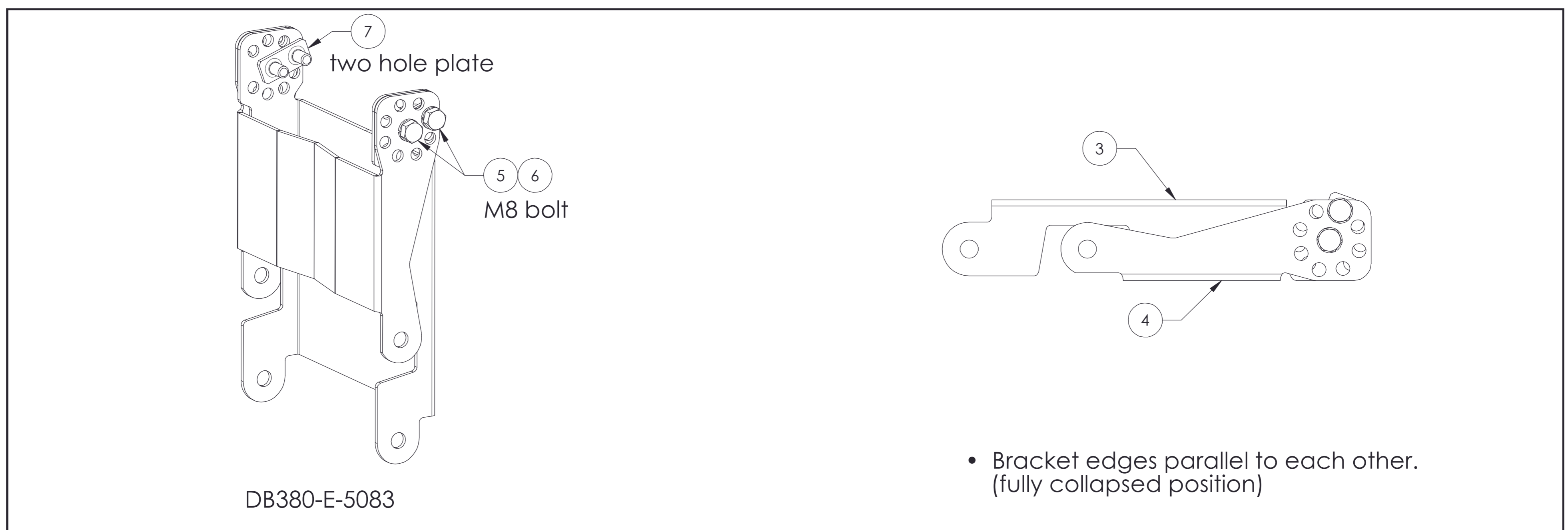
DB380-E-5083 Series: Mounting systems for cylindrical pipe installations (60-115mm pipe diameter)

Bulletin 639826-1 • Revision C • November 2015 • Page 1 of 2

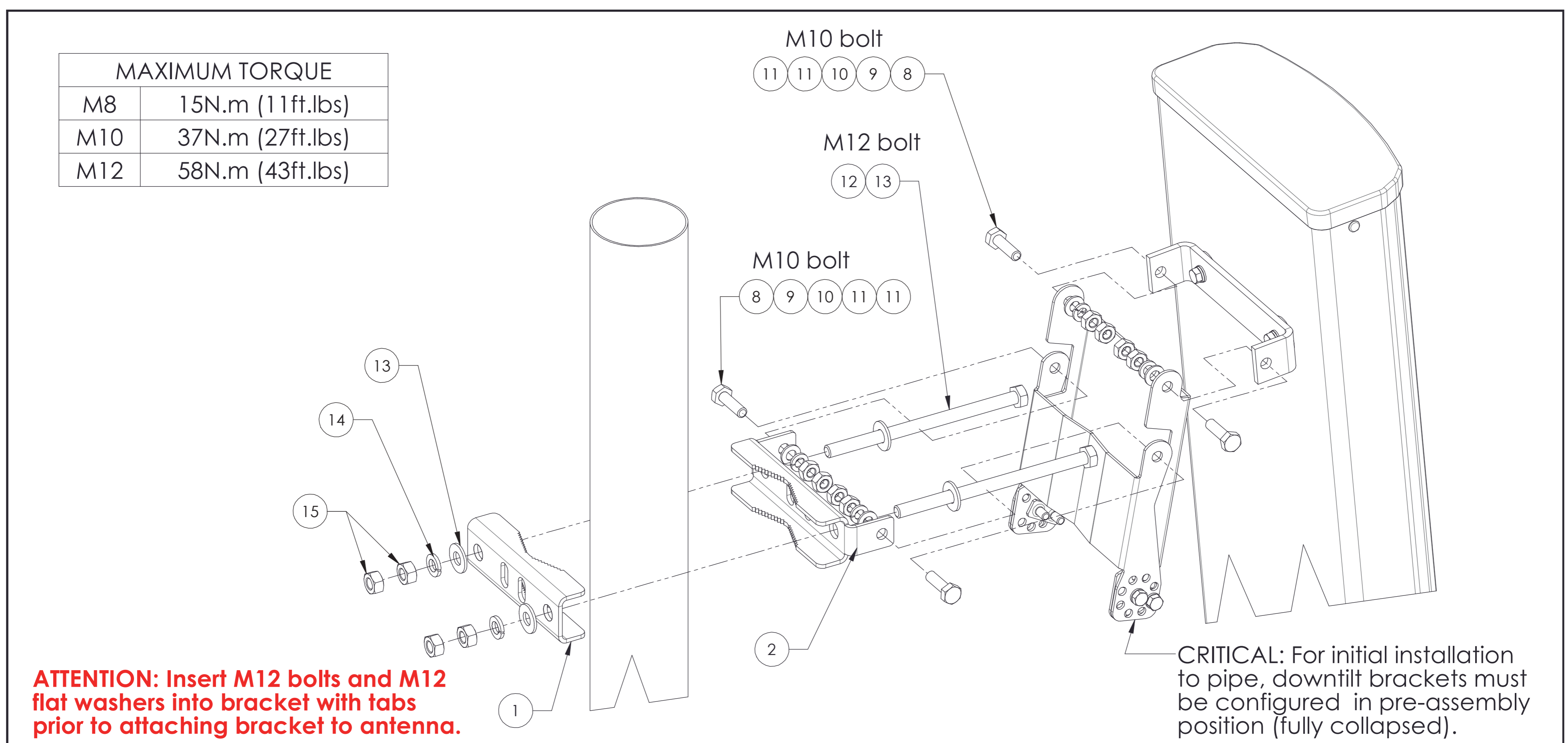
CommScope Infrastructure Academy offers installation training.

ITEM NO.	DESCRIPTION	QTY DB380-E-5083	U/M
1	BRACKET	2	EA
2	PIPE MOUNT BRACKET	1	EA
3	NOTCHED BRACKET	1	EA
4	BRACKET	1	EA
5	SCR,HH,HEX,M8X25,SST,PASS	4	EA
6	WSHR,LK,SPLT,M8,STL,GALV	4	EA
7	TWO HOLE PLATE, 8mm X 1.25 PITCH	2	EA
8	SCR,HCS,HEX,M10X40,STL,GALV	6	EA
9	WSHR,FLT,M10,10.5X20X2,STL,GALV	6	EA
10	WSHR,LK,SPLT,M10,STL,GALV	6	EA
11	NUT,HEX,M10,STL,GALV	12	EA
12	SCR,HCS,HEX,M12X200,STL,GALV	4	EA
13	WSHR,FLT,M12,13X28X2.5,STL,GALV	8	EA
14	WSHR,LK,SPLT,M12,STL,GALV	4	EA
15	NUT,HEX,M12,STL,GALV	8	EA
16	BRACKET	1	EA

Part Lists

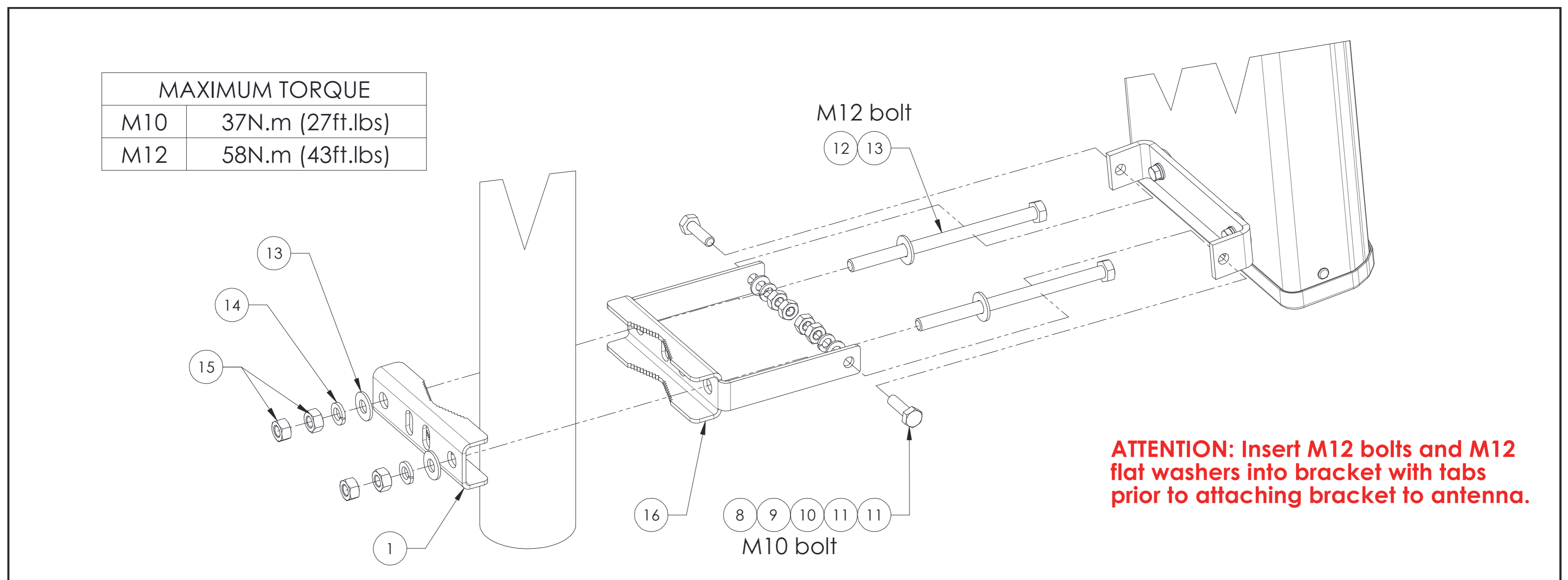


Pre-assembly of Downtilt Brackets

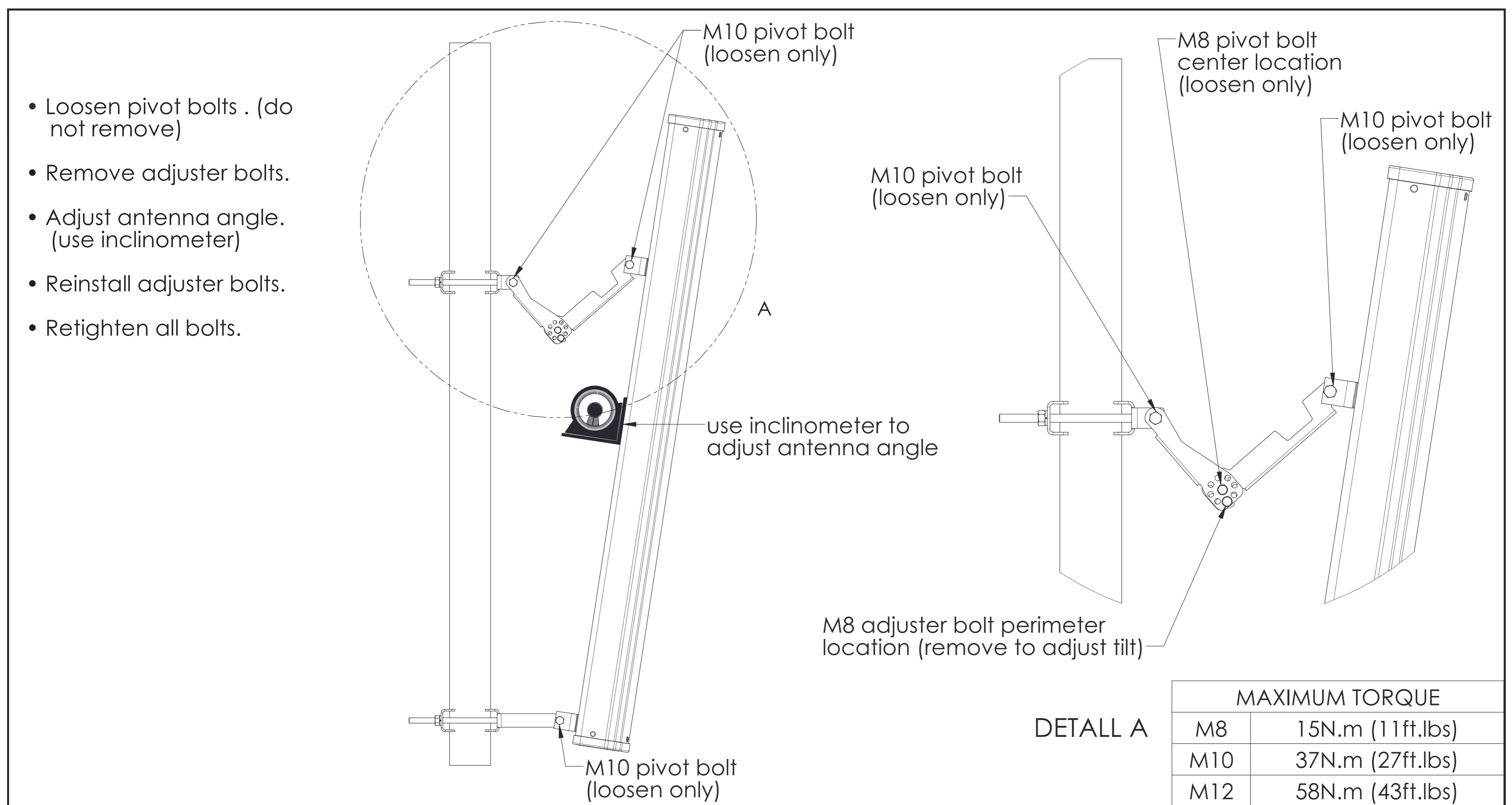


Top Mount Installations

(Continued from page 1)



Bottom Mount Installation



Adjusting Antenna Tilt

SAFETY NOTICE

The installation, maintenance, or removal of an antenna requires qualified, experienced personnel. CommScope installation instructions are written for such installation personnel. Antenna systems should be inspected once a year by qualified personnel to verify proper installation, maintenance, and condition of equipment.

CommScope disclaims any liability or responsibility for the results of improper or unsafe installation practices.

It is recommended that transmit power be turned off when the field installation is performed. Follow all applicable safety precautions as shown on this page.



Do not install near power lines. Power lines, telephone lines, and guy wires look the same. Assume any wire or line can electrocute you.



Do not install on a wet or windy day or when lightning or thunder is in the area. Do not use metal ladder.



Wear shoes with rubber soles and heels. Wear protective clothing including a long-sleeved shirt and rubber gloves.

CommScope

1100 CommScope Place SE P.O. Box 339, Hickory, NC 28603-0339
 (828) 324-2200 (800) 982-1708
 www.commscope.com/andrew

Customer Service 24 hours

North America: +1-800-255-1479 (toll free)
 Any country: +1-779-435-6500

Notice: CommScope disclaims any liability or responsibility for the results of improper or unsafe installation, inspection, maintenance, or removal practices.
 Aviso: CommScope no acepta ninguna obligación ni responsabilidad como resultado de prácticas incorrectas o peligrosas de instalación, inspección, mantenimiento o retiro.
 Avis: CommScope décline toute responsabilité pour les conséquences de procédures d'installation, d'inspection, d'entretien ou de retrait incorrectes ou dangereuses.
 Hinweis: CommScope lehnt jede Haftung oder Verantwortung für Schäden ab, die aufgrund unsachgemäßer Installation, Überprüfung, Wartung oder Demontage auftreten.
 Atenção: A CommScope abdica do direito de toda responsabilidade pelos resultados de práticas inadequadas e sem segurança de instalação, inspeção, manutenção ou remoção.
 Avvertenza: CommScope declina eventuali responsabilità derivanti dall'esecuzione di procedure di installazione, ispezione, manutenzione e smontaggio improprie o poco sicure.
 注意: CommScope 公司申明对于不恰当或不安全的安装、检验、维修或拆卸操作所导致的不负任何义务和责任。