

Downtilt Mounting Kits



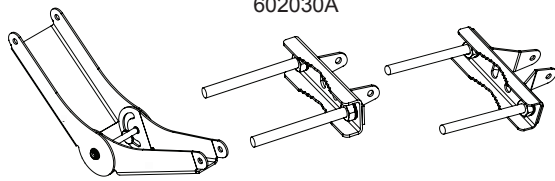
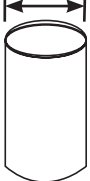
602030A

Bulletin 639082A • Revision H • June 2013 Page 1 of 2

POWERED BY

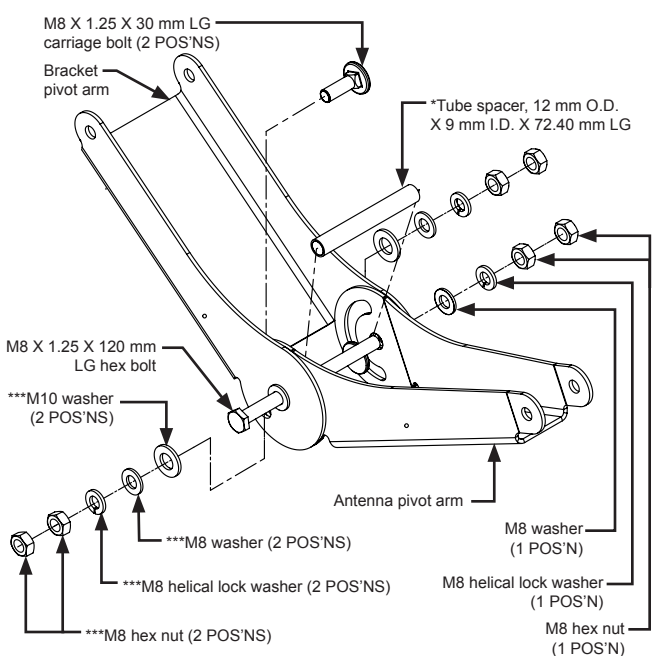


CommScope Infrastructure Academy offers installation training.

<p>Tools Required: 13 mm x 2 19 mm x 2</p>  	<p>602030A</p> 	<p>*Note: Minimum pipe diameter recommended is 60 mm (2.4"). These mounts can be used on pipe diameters measuring down to 45 mm (1.75"); however, this is only recommended for building mounts or applications with no significant side wind load.</p>  <p>Kit fits pipe diameters *60 mm to 115 mm O.D.</p>
-------------------------------------------------------------------------------------------------------------------------------------------------------------------------------------------------------------------------------	--------------------------------------------------------------------------------------------------	-------------------------------------------------------------------------------------------------------------------------------------------------------------------------------------------------------------------------------------------------------------------------------------------------------------------------------------------------------------------------------------------------

1

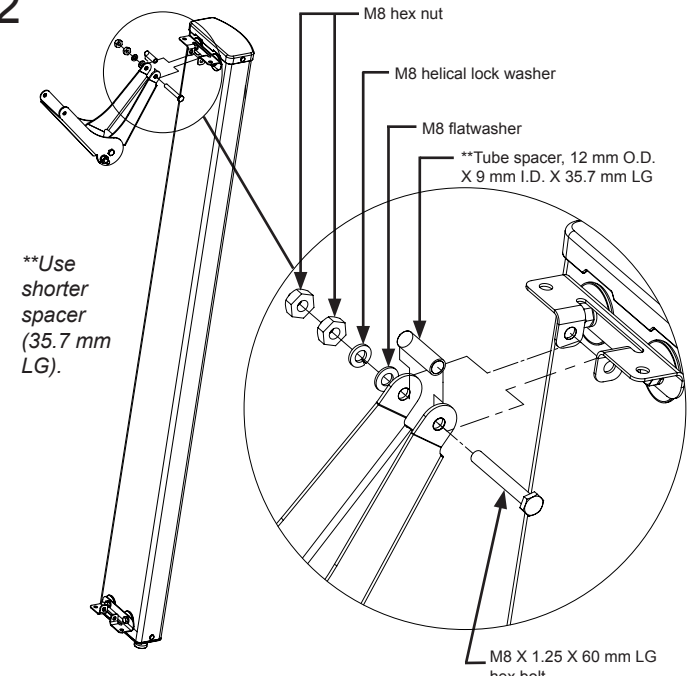
**Use longer spacer (72.4 mm LG).
***Use with M8 X 1.25 X 30 mm LG bolt.*



M8 X 1.25 X 30 mm LG carriage bolt (2 POS'NS)
Bracket pivot arm
*Tube spacer, 12 mm O.D. X 9 mm I.D. X 72.40 mm LG
M8 X 1.25 X 120 mm LG hex bolt
***M10 washer (2 POS'NS)
Antenna pivot arm
***M8 washer (2 POS'NS)
M8 washer (1 POS'N)
***M8 helical lock washer (2 POS'NS)
M8 helical lock washer (1 POS'N)
***M8 hex nut (2 POS'NS)
M8 hex nut (1 POS'N)

Assemble downtilt bracket.

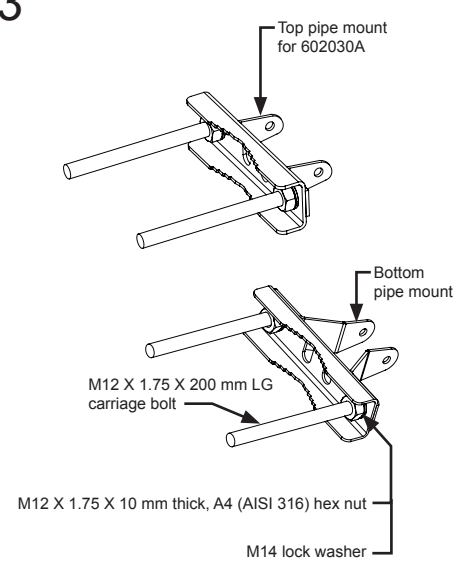
2



M8 hex nut
M8 helical lock washer
M8 flatwasher
**Tube spacer, 12 mm O.D. X 9 mm I.D. X 35.7 mm LG
***Use shorter spacer (35.7 mm LG).
M8 X 1.25 X 60 mm LG hex bolt

Attach downtilt bracket to the top of the antenna.

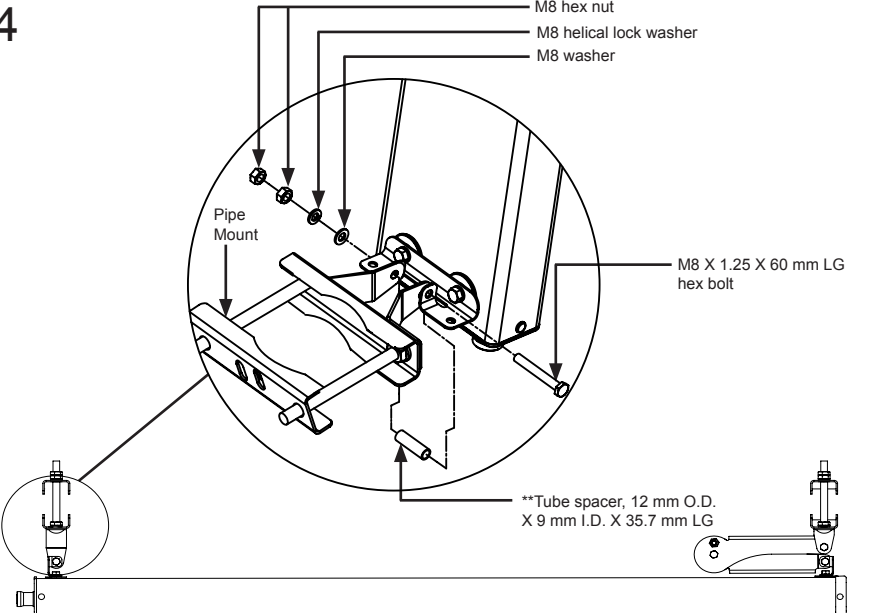
3



Top pipe mount for 602030A
Bottom pipe mount
M12 X 1.75 X 200 mm LG carriage bolt
M12 X 1.75 X 10 mm thick, A4 (AISI 316) hex nut
M14 lock washer

Assemble bottom and top pipe mounts.

4



M8 hex nut
M8 helical lock washer
M8 washer
M8 X 1.25 X 60 mm LG hex bolt
**Tube spacer, 12 mm O.D. X 9 mm I.D. X 35.7 mm LG
Pipe Mount

Attach pipe mounts to the bottom antenna bracket.

5

Set downtilt bracket at 0 degrees.

6

M12 X 1.75 X 10 mm thick, A4 (AISI 316) hex nut

M12 X 2.5 mm thick, A4 (AISI 316) helical lock washer

Fasten pipe mounts to mast.
Note: It is normal for pipe mount to bend slightly to conform to size of the mounting pipe.

7

M8 hex nut

Loosen M8 hardware to adjust downtilt.
 Verify desired downtilt with an Inclinometer.

8

M8 hardware: 18 Nm (160 lbf-in.)
 M12 hardware: 30 Nm (266 lbf-in.)

Torque all hardware.

Connector coupling torque:	7-16 DIN:
Tensión acoplador de empalme:	25-30 N·m
Connector de serrage:	(220-265 lbf-in)
Drehmoment Verbinderkupplung:	
Torque do acoplamento do conector:	
接头接合扭矩:	



Do not install near power lines. Power lines, telephone lines, and guy wires look the same. Assume any wire or line can electrocute you.



Do not install on a wet or windy day or when lightning or thunder is in the area. Do not use metal ladder.



Wear shoes with rubber soles and heels. Wear protective clothing including a long-sleeved shirt and rubber gloves.

CommScope
 1100 CommScope Place SE P.O. Box 339, Hickory, NC 28603-0339
 (828) 324-2200 (800) 982-1708
 www.commscope.com/andrew

Customer Service 24 hours
 North America: +1-800-255-1479, Option 1 (toll free)
 Any country: +1-779-435-6500, Option 1
 email: acicustomersupportcenter@commscope.com

Notice: CommScope disclaims any liability or responsibility for the results of improper or unsafe installation, inspection, maintenance, or removal practices.
 Aviso: CommScope no acepta ninguna obligación ni responsabilidad como resultado de prácticas incorrectas o peligrosas de instalación, inspección, mantenimiento o retiro.
 Avis : CommScope décline toute responsabilité pour les conséquences de procédures d'installation, d'inspection, d'entretien ou de retrait incorrectes ou dangereuses.
 Hinweis: CommScope lehnt jede Haftung oder Verantwortung für Schäden ab, die aufgrund unsachgemäßer Installation, Überprüfung, Wartung oder Demontage auftreten.
 Atenção: A CommScope abdica do direito de toda responsabilidade pelos resultados de práticas inadequadas e sem segurança de instalação, inspeção, manutenção ou remoção.
 Avvertenza: CommScope declina eventuali responsabilità derivanti dall'esecuzione di procedure di installazione, ispezione, manutenzione e smontaggio improprie o poco sicure.
 注意: CommScope 公司申明對於於不恰當或不安全的安裝、檢驗、維修或拆卸操作所導致的後果不負任何義務和責任