

Flex Gel Blocking Tube Installation Procedure

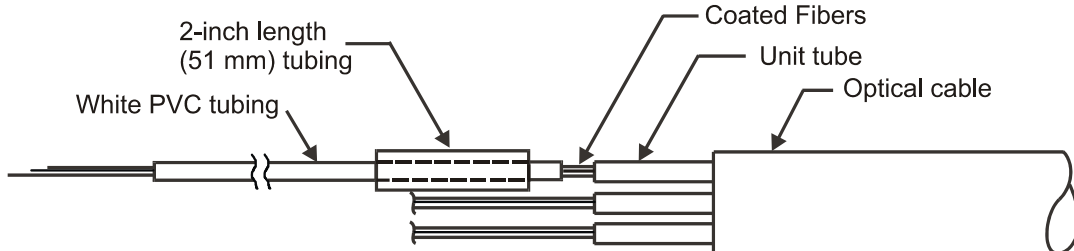
How to Contact Us

- To find out more about **SYSTIMAX[®]** Solutions, visit us on the web at <http://www.systemax.com/>
- For technical assistance regarding **SYSTIMAX** products:
 - Within the United States, contact your local account representative or **SYSTIMAX** technical support at 1-800-344-0223. Outside the United States, contact your local account representative or Authorized BusinessPartner.
 - Within the United States, report any missing or damaged parts to **SYSTIMAX** Customer Service in Omaha, NE, at 1-866-539-2795. Outside the United States, contact your local account representative or Authorized BusinessPartner.

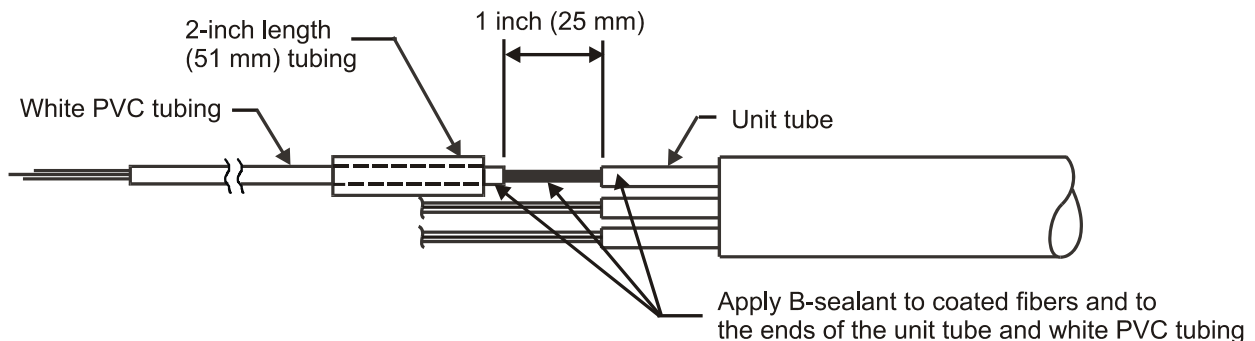
Procedure

1. Slip a 2-inch (51 mm) length of tubing over the previously installed white polyvinyl chloride (PVC) tubing (from D-181755 Kit).

Note: Two sizes of tubing are supplied. The 0.166 inch (4 mm) I.D. tubing is used with multiple-unit cables and the 0.234 inch (6 mm) I.D. is used with single-unit cables.



2. Pull the white PVC tubing back exposing about 1 inch (25 mm) of coated fibers.
3. Apply B-sealant to exposed fibers.
4. Slide the white PVC tubing back over the fibers until it touches the unit tube.
5. Apply B-sealant to the ends of the white PVC tubing and the unit tube where they butt together for a distance of 1/2-inch (13 mm) on each one.



633-501-101-52
Instruction Sheet

6. Slide the 2 inch (51 mm) length of tubing over the unit tube about 1 inch (25 mm).
7. Remove any excess B-sealant.
Note: Do not disturb the unit tube until B-sealant has cured.
8. Repeat items 1 through 7 as required.

