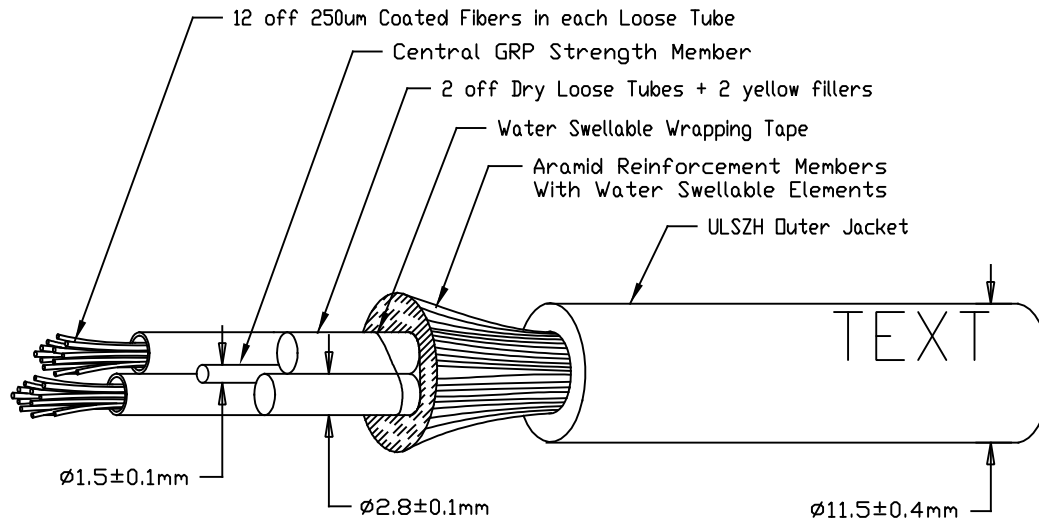


THIS DRAWING IS A CONTROLLED DOCUMENT DWG No: C-599159

LTR	REVISION RECORD	DATE	DWN	APVD
H	8000021556	3APR17	TV	DW



- 250um Primary Coated Fibers, Colours Blue, Orange, Green, Brown, Grey, White, Red, Black, Yellow, Violet, Pink, Turquoise.
- Print legend according 101-131550 Method A  
Example:  
COMMSCOPE GB OPTICAL CABLE X-599159-4 24X 9/125um OS2 ULSZH [BATCH]  
[Date][Length marking] (M)
- Mechanical Properties of Cable (Tested according to IEC 60794-1)  
Nominal weight 105 kg/km  
Minimum Installation Bend Radius 230 mm  
Minimum Service Bend Radius 170 mm  
Maximum Installation Tension 1000 N  
Maximum Operating Tension 600 N  
Maximum Crush Resistance 2000 N/10 cm  
Operating Temperature Range -10 to +70°C  
Internal/External Grade  
Low Smoke Zero Halogen Material to be compliant with  
Water Absorption IEC 60811-1, <2mg/cm<sup>2</sup> 10days @ 70°C  
Smoke Emission IEC 61034  
Acid Gas Emission IEC 60754-1  
Toxicity NES 60713  
Fire Propagation IEC 60332-1 & 60332-3
- To meet the requirements of COMMSCOPE environmental specification CS-EPC-2001

yellow	Grey&Red	0.37/0.25	single mode	9/125 G657A2 BI	X-599159-8
orange	Orange&Grey	2.5/0.7	500/500	50/125 OM2	X-599159-7
orange	Grey&Red	2.8/0.9	200/600	62.5/125 OM1	X-599159-5
yellow	Blue&Red	0.37/0.25	single mode	9/125 OS2	X-599159-4
aqua	Orange&Grey	2.5/0.7	1500/500	50/125 OM3	X-599159-3
aqua	Orange&Grey	2.5/0.7	3500/500	50/125 OM4	X-599159-2
yellow	Grey&Red	0.37/0.25	single mode	9/125 G657A1 BI	X-599159-1
Jacket Colour	Loose Tube Colour	Max Cabled fibre attn. loss db/km @ 850/1300nm for Multi mode and @ 1310/1550nm for Single mode	Bandwidth @ 850/1300nm	Fiber Type	MID/pn

Dimensions: MM	TOLERANCES UNLESS OTHERWISE SPECIFIED: 0 PLC ± 1 PLC ±0.1 2 PLC ±0.01 3 PLC ±0.001 4 PLC ±0.0001	Drawn: T.VISSERS 3APR17	 Commscope Connectivity Uk Ltd Kinnel Park, Bodelwyddan, Denbighshire, LL18 5TZ FD CAB UDLT X24 Fiber Optic Cable Universal Dry Loose Tube			
	ANGLES: - SURFACE TEXTURE	Checked: A.YOUNG				Scale: N/A
		Approved: D.WALKER				