

4

3

2

1

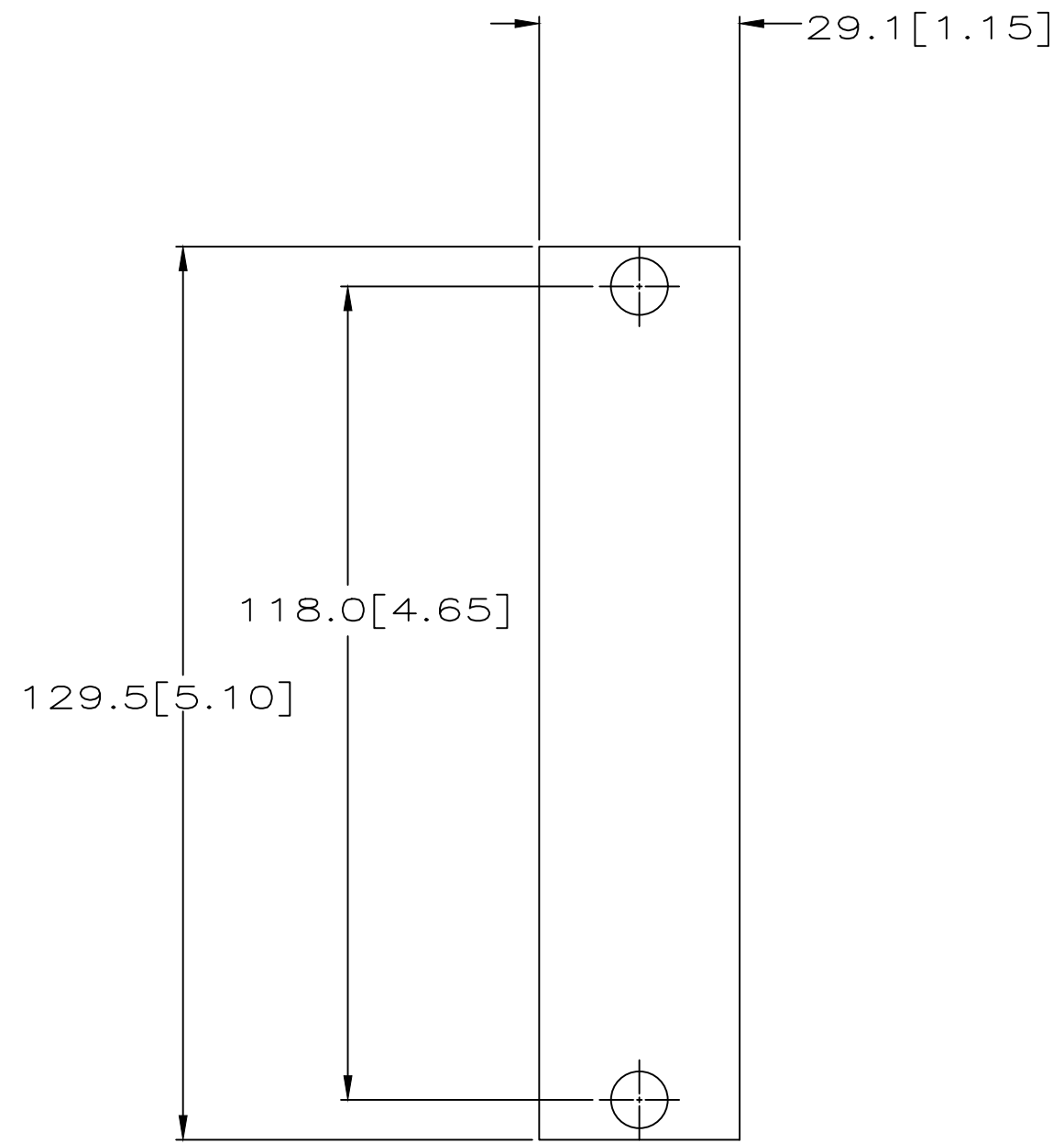
THIS DRAWING IS UNPUBLISHED.

RELEASED FOR PUBLICATION

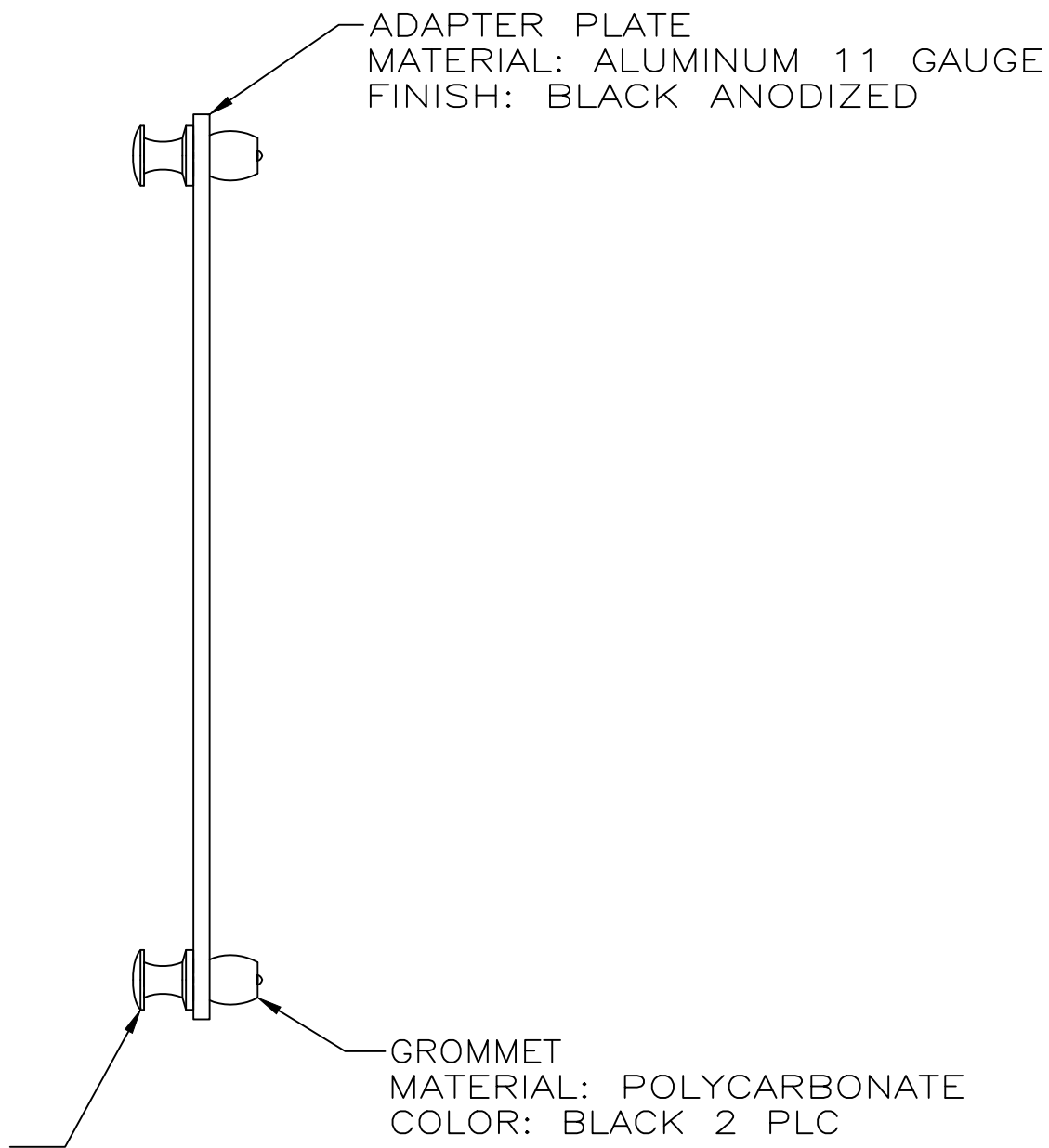
© 2016 Commscope, INC. Confidential

NOTICE: These drawings and specifications are the proprietary property of COMMSCOPE, INC. and may be used only for the specific purpose authorized in writing by COMMSCOPE, INC.

LOC	DIST	REVISIONS			
P	LTR	DESCRIPTION	DATE	DWN	APVD
CE	16				
		A	REV PER 0A00-0485-00	20JUN00	WS DM
		B	REBRANDING	16JAN17	



PLUNGER
 MATERIAL: NYLON
 COLOR: BLACK 2 PLC



559523-1
 PART NO.

THIS DRAWING IS A CONTROLLED DOCUMENT.		DWN R R SCHAFFER 11-12-96	COMMSCOPE, INC.														
DIMENSIONS: INCHES		CHK J C HOFFER 11-12-96															
TOLERANCES UNLESS OTHERWISE SPECIFIED:		APVD M FASNACHT 11-12-96	NAME ADAPTER PLATE ASSEMBLY, SNAP-IN, BLANK														
<table border="1"> <tr><td>0 PLC</td><td>± -</td></tr> <tr><td>1 PLC</td><td>± -</td></tr> <tr><td>2 PLC</td><td>± 0.5 [.02]</td></tr> <tr><td>3 PLC</td><td>± -</td></tr> <tr><td>4 PLC</td><td>± -</td></tr> <tr><td>ANGLES</td><td>± -</td></tr> </table>		0 PLC	± -	1 PLC	± -	2 PLC	± 0.5 [.02]	3 PLC	± -	4 PLC	± -	ANGLES	± -	PRODUCT SPEC -	RESTRICTED TO -		
0 PLC	± -																
1 PLC	± -																
2 PLC	± 0.5 [.02]																
3 PLC	± -																
4 PLC	± -																
ANGLES	± -																
MATERIAL -		FINISH -	APPLICATION SPEC -	WEIGHT -	SIZE A3												
CUSTOMER DRAWING			CAGE CODE 00779	DRAWING NO C=559523	SCALE 1:1												
			SHEET 1 of 1	REV B													

D
C
B
A

D
C
B
A