

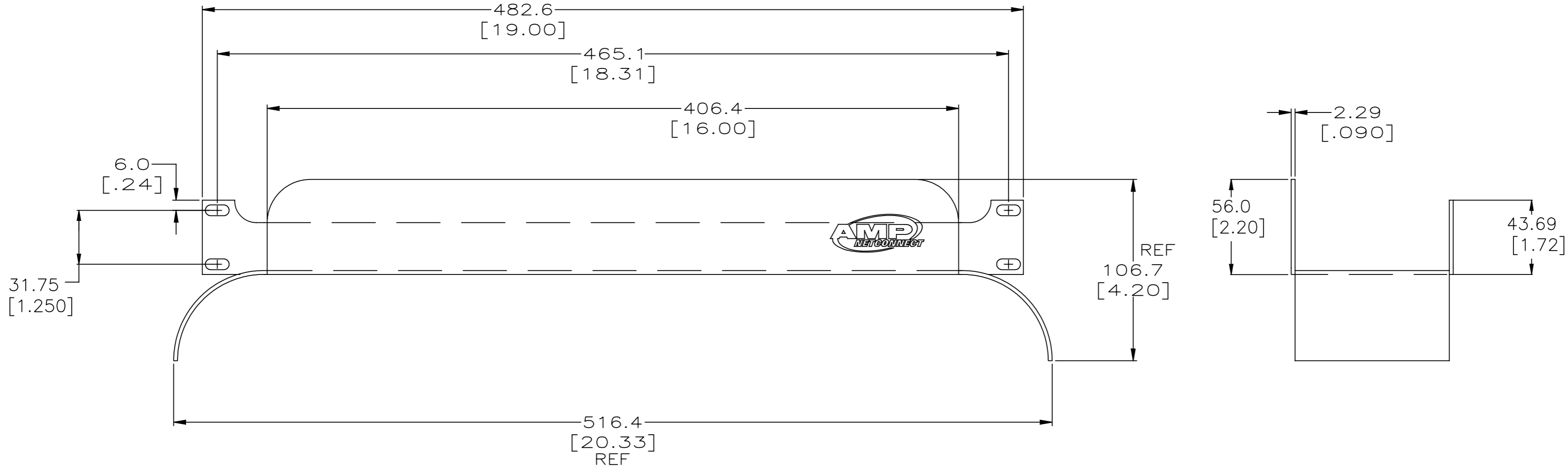
THIS DRAWING IS UNPUBLISHED. RELEASED FOR PUBLICATION

© 2016 Commscope, INC. Confidential

NOTICE: These drawings and specifications are the proprietary property of COMMSCOPE, INC. and may be used only for the specific purpose authorized in writing by COMMSCOPE, INC.

REVISIONS					
P	LTR	DESCRIPTION	DATE	DWN	APVD
B		REV, ECO-11-003276	18FEB11	JB	SH
C		REV PER BNS_CD_BRAND	20JAN2017	GG	DC

1. FOUR SCREWS, 12-24x.50LG, ARE PROVIDED FOR MOUNTING TO EQUIPMENT RACK



559370-1
PART NO.

THIS DRAWING IS A CONTROLLED DOCUMENT.		DWN R R SCHAFFER 2-5-96	COMMSCOPE, INC.		
DIMENSIONS: mm[INCHES]		CHK J C HOFFER 2-5-96			
TOLERANCES UNLESS OTHERWISE SPECIFIED:		APVD J EBERLE 2-5-96	NAME RACK-MOUNT HORIZONTAL CABLE TROUGH (TOP)		
0 PLC ± -		PRODUCT SPEC	SIZE	CAGE CODE	DRAWING NO
1 PLC ± -		APPLICATION SPEC	A2	-	C=559370
2 PLC ± 0.8[.03]		WEIGHT	RESTRICTED TO		
3 PLC ± 0.25 [.010]		-	-		
4 PLC ± -		CUSTOMER DRAWING	SCALE	SHEET	REV
ANGLES ± -			1:2	1 of 1	C
FINISH					
ALUMINUM					
BLACK PAINT					

559370

A