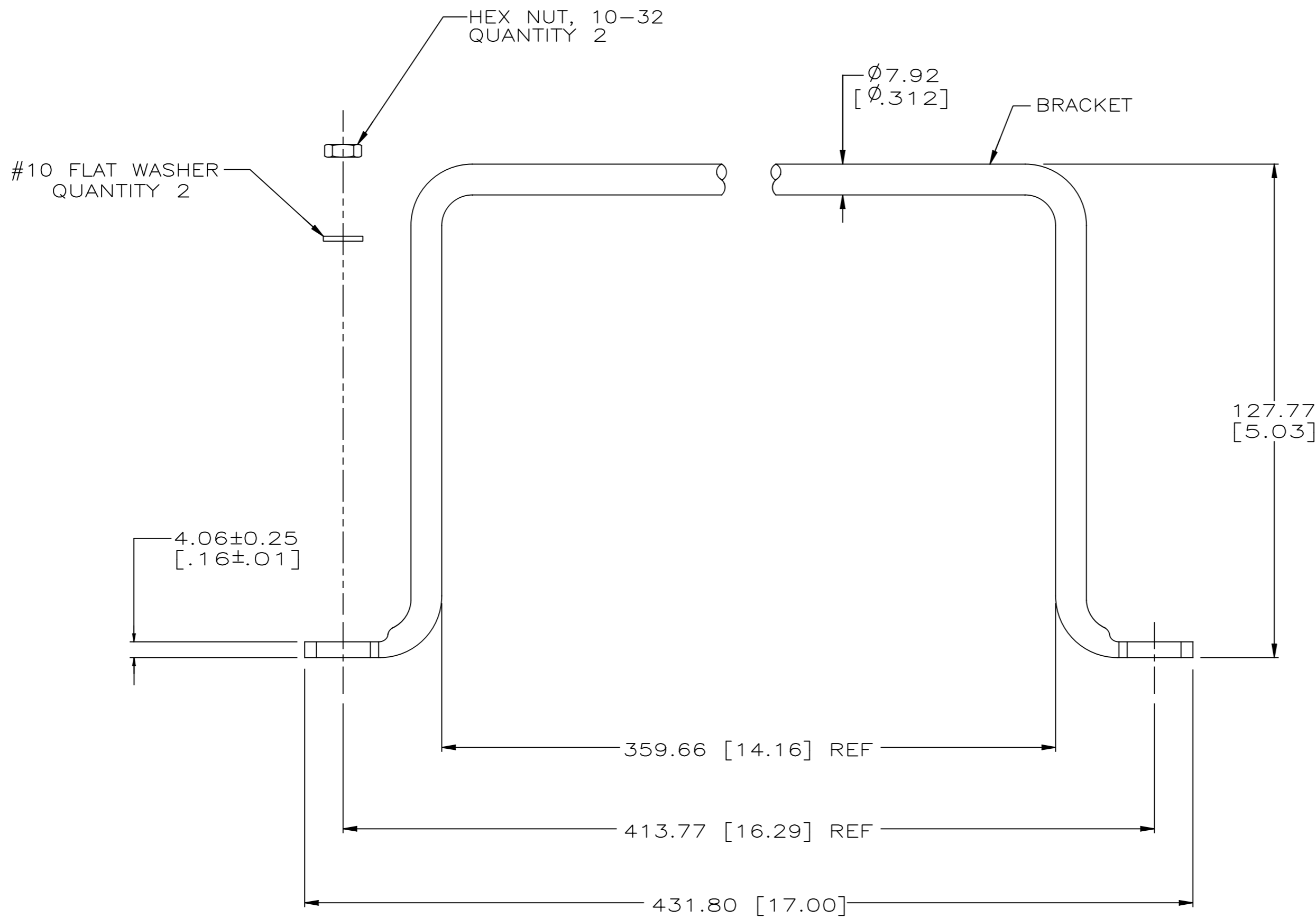
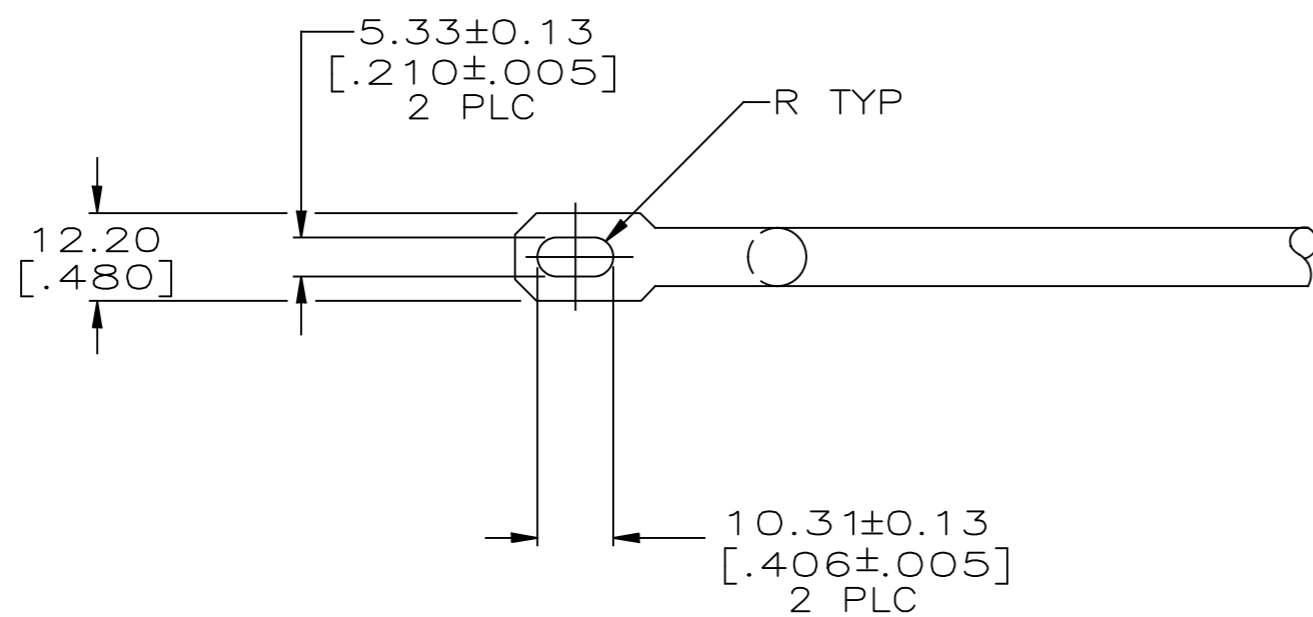


THIS DRAWING IS UNPUBLISHED. RELEASED FOR PUBLICATION
 © 2016 Commscope, INC. Confidential NOTICE: These drawings and specifications are the proprietary property of COMMSCOPE, INC. and may be used only for the specific purpose authorized in writing by COMMSCOPE, INC.

REVISIONS					
P	LTR	DESCRIPTION	DATE	DWN	APVD
0		RLSD; NPR C93-398	1-14-94	-	DS/CW
A		REV PER BNS_CD_BRAND	1-31-17	GG	DC



- 1. DIMENSIONS MAXIMUM UNLESS OTHERWISE SPECIFIED.
- 2. MATERIAL: BRACKET - ANODIZED ALUMINUM. NUTS AND FLAT WASHERS - ZINC PLATED CARBON STEEL.
- 3. TO BE USED ON THE BACK OF CABLE MANAGEMENT PANELS 558329-1 OR 558330-1.



558301-1
PART NO

THIS DRAWING IS A CONTROLLED DOCUMENT.		DWN D. STRAUSSER 1-14-94	COMMSCOPE, INC.																			
		CHK C. WHITT 1-25-94																				
DIMENSIONS: mm[INCHES]		APVD J. BONDS 1-31-94	NAME CABLE SUPPORT BAR KIT, MANAGEMENT PANEL																			
TOLERANCES UNLESS OTHERWISE SPECIFIED:		APVD J. BONDS 1-31-94	PRODUCT SPEC -																			
<table border="0"> <tr><td>0 PLC</td><td>± -</td><td></td></tr> <tr><td>1 PLC</td><td>± -</td><td></td></tr> <tr><td>2 PLC</td><td>± -</td><td>1</td></tr> <tr><td>3 PLC</td><td>± -</td><td></td></tr> <tr><td>4 PLC</td><td>± -</td><td></td></tr> <tr><td>ANGLES</td><td>± -</td><td></td></tr> </table>		0 PLC	± -		1 PLC	± -		2 PLC	± -	1	3 PLC	± -		4 PLC	± -		ANGLES	± -		APPLICATION SPEC -		RESTRICTED TO -
0 PLC	± -																					
1 PLC	± -																					
2 PLC	± -	1																				
3 PLC	± -																					
4 PLC	± -																					
ANGLES	± -																					
MATERIAL 2		FINISH 2	WEIGHT -	SIZE A2	CAGE CODE -																	
		DRAWING NO C=558301		SCALE 1:1																		
		CUSTOMER DRAWING		SHEET 1 of 1																		
				REV A																		

558301

A