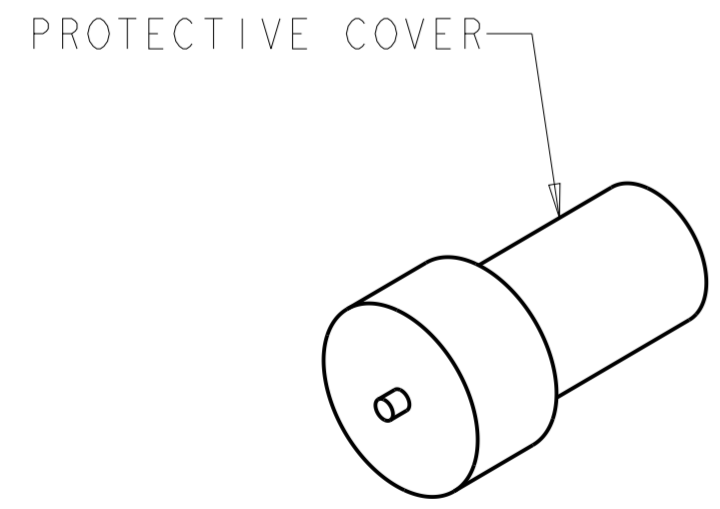
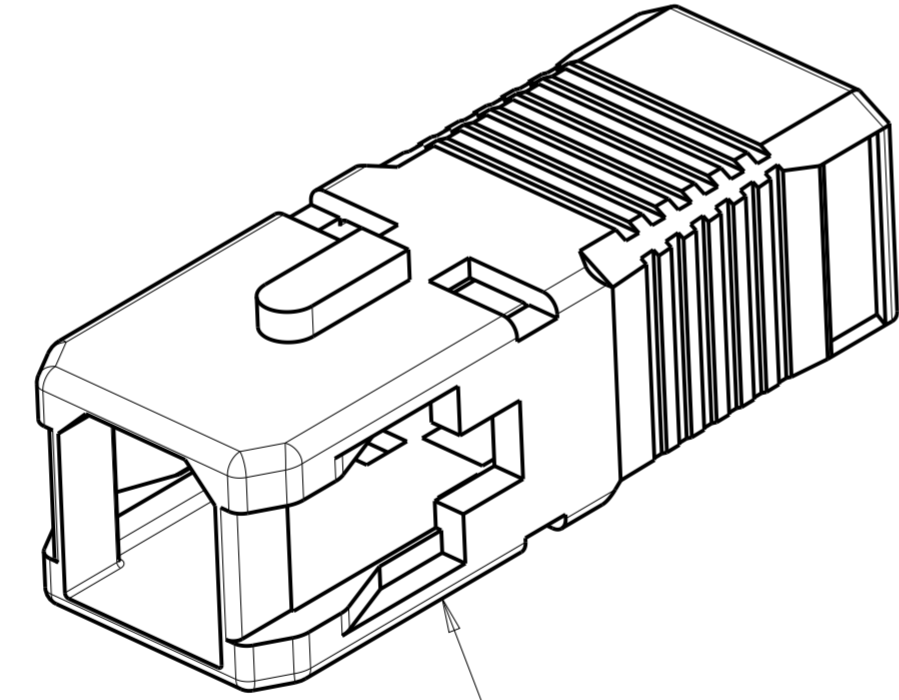
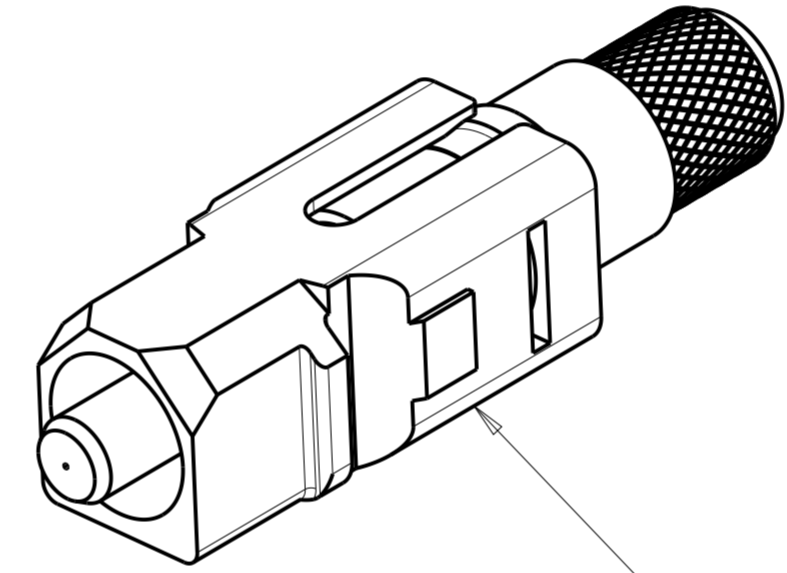
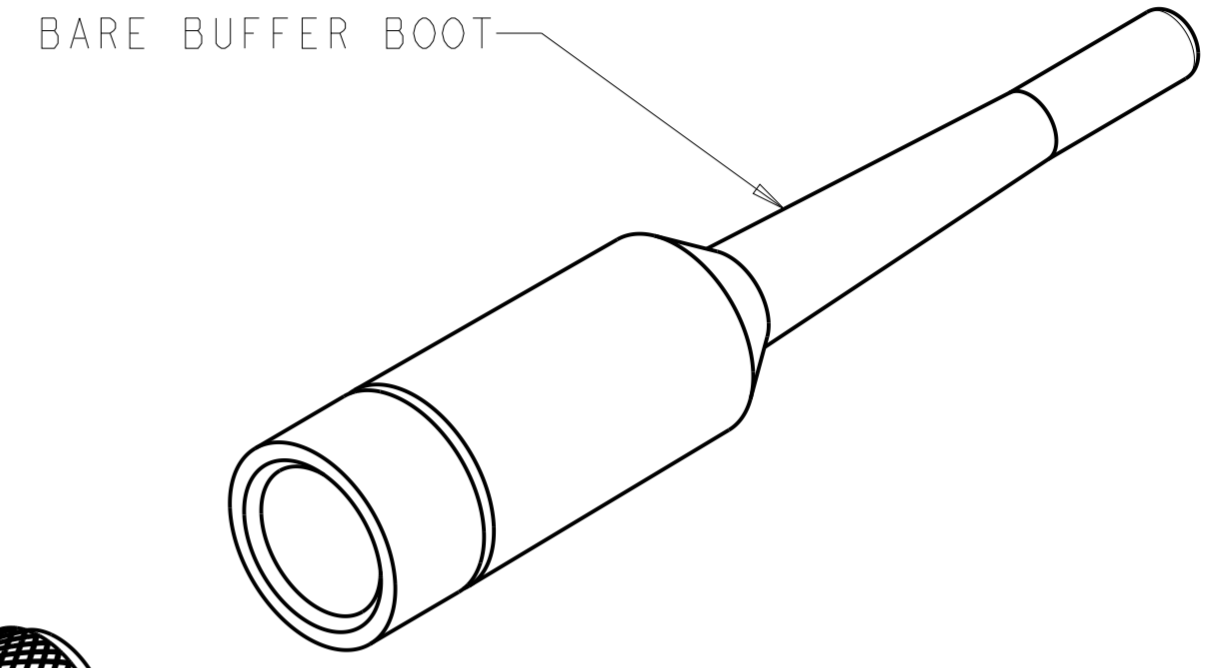


THIS DRAWING IS UNPUBLISHED. RELEASED FOR PUBLICATION  
 © 2016 COMMSCOPE, INC. CONFIDENTIAL NOTICE: THESE DRAWINGS AND SPECIFICATIONS ARE THE PROPRIETARY PROPERTY OF COMMSCOPE, INC. AND MAY BE USED ONLY FOR THE SPECIFIC PURPOSE AUTHORIZED IN WRITING BY COMMSCOPE, INC.

REVISIONS				
P	LTR	DESCRIPTION	DATE	APVD
	A	RELEASE TO ACTIVE	06JUN2006	BB SM
	AI	ADD NOTE 4	11MAY2009	KG SB
	B	REV PER ECN 8000019318	31JAN2017	GG TE

1 MATERIAL:  
 PROTECTIVE COVER: LDPE, BLACK, NON-FR.  
 CONNECTOR HOUSING: PBT-GF17, COLOR: BLUE.\*  
 CONNECTOR SUBASSEMBLY:  
 PLUG BODY: PES-GF20, COLOR: BEIGE.\*  
 FERRULE ASSEMBLY: CERAMIC/PBT-GF17, COLOR: BLUE.\*  
 EPOXY-FILL TUBING: PVC, COLOR: CLEAR, UL VW-1 RATED.  
 SPRING: STAINLESS STEEL.  
 RETAINER BODY: PES-GF20, COLOR: BEIGE.\*  
 BOOT: TPE, COLOR: SEE TABLE.\*  
 \*UL94 V-0 RATED AT QUALIFYING THICKNESS.

- 2 BULK PACKAGE.
- 3 BUFFER BOOT NOT INCLUDED.
- 4. INSTRUCTION SHEET 408-8674



3 2	-	5492123-7
	YELLOW	5492123-6
2	YELLOW	5492123-5
2	BLUE	5492123-2
	BLUE	5492123-1
	BUFFER BOOT COLOR	PART NUMBER

THIS DRAWING IS A CONTROLLED DOCUMENT.

DWN	B. BRIGGS	12DEC2005
CHK	S. MILLER	12DEC2005
APVD	S. BUCHTER	12DEC2005

PRODUCT SPEC: -  
 APPLICATION SPEC: -  
 WEIGHT: -

**COMMSCOPE, INC.**  
 NAME: AMP SC, SINGLEMODE CONNECTOR KIT, 900um AND 3mm

SIZE	CAGE CODE	DRAWING NO	RESTRICTED TO
A2		C-5492123	-

CUSTOMER DRAWING SCALE 5:1 SHEET 1 OF 1 REV B

DIMENSIONS:		TOLERANCES UNLESS OTHERWISE SPECIFIED:	
mm		0 PLC	±
		1 PLC	±
		2 PLC	±
		3 PLC	±
		4 PLC	±
		ANGLES	±
		FINISH	