

Figure 1

1. INTRODUCTION

This instruction sheet provides installation procedures for 110Connect XC System frame kits and backboards.

NOTE All dimensions are in millimeters [with inch equivalents in brackets]. Illustrations are for identification only and are not drawn to scale.

Reasons for reissue of this document are provided in Section 3, REVISION SUMMARY.

2. INSTALLATION PROCEDURES

2.1. Wall Mounting

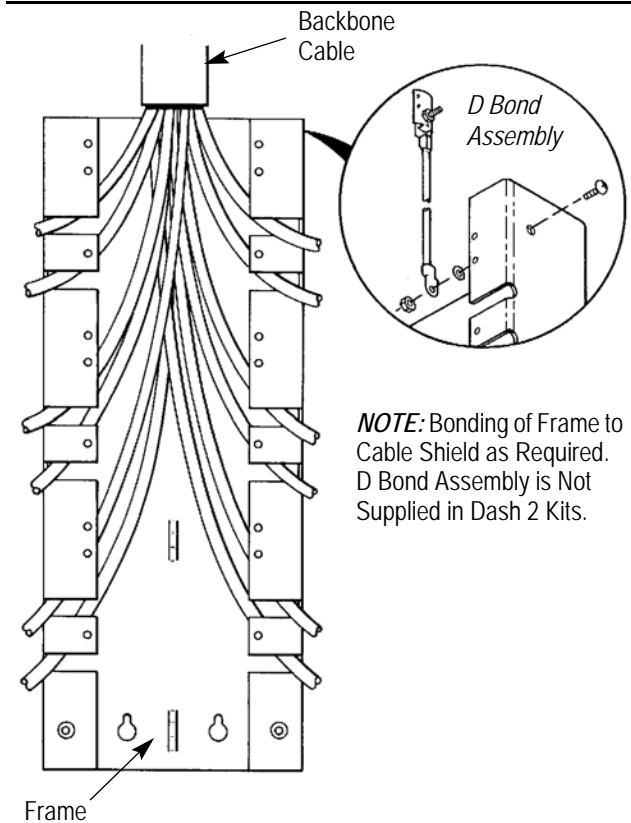
1. Make two horizontal lines on the mounting surface and mark appropriate screw locations as shown in Figure 1.
2. Partially insert four No. 12 X 3/4 in. wood screws (not supplied) for each device to be mounted.

NOTE Use appropriate wall anchors for mounting surfaces other than plywood.

3. Mount device and tighten screws to secure it to the wall.

2.2. Cable Preparation

1. Locate and secure cable as required and remove sheath approximately 152 mm [6 in.] from frame. See Figure 2.
2. Install D bond assembly as shown. Slide inner bond clamp between metallic shield and core.
3. Separate binder groups and dress cable into slots following color code sequence.
4. Secure cable to back of frame with cable ties.



NOTE: Bonding of Frame to Cable Shield as Required. D Bond Assembly is Not Supplied in Dash 2 Kits.

Figure 2

2.3. Wiring Block Installation

1. Secure wiring block to frame with two plastic rivets (included). Set rivet with impact to center pin. Attach all wiring blocks. See Figure 3.
2. Feed the cable groups through the slots in the wiring blocks.

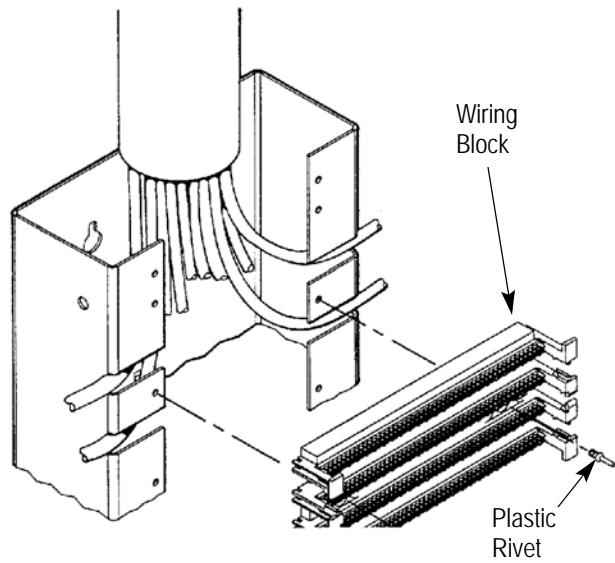


Figure 3

3. Place the conductors in the index strip. Conductors entering from the left are terminated on the top index strip and conductors from the right are terminated on the lower index strip.

4. Use Impact Tool 558418-1 or the AT&T† 788J1 impact tool to seat conductor(s) and shear off conductor(s) end. See Figure 4.

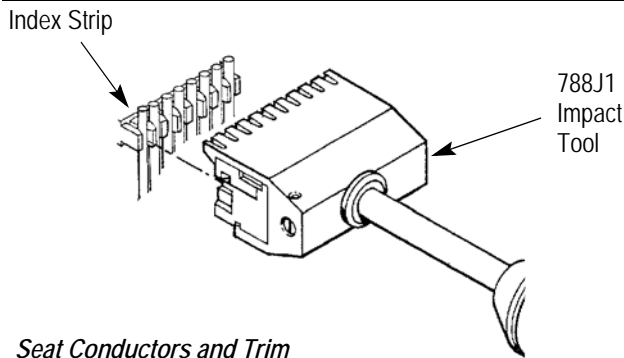


Figure 4

2.4. Connecting Block and Jumper Trough Installation

1. After all index strips have been wired and trimmed, orient first connecting block at left end of top row and seat using an AT&T 788J1 impact tool or equivalent. See Figure 5. Working from left to right, orient and seat each additional block in row. Complete remaining rows following same procedure.

2. Locate the jumper trough between the wiring blocks and secure with two plastic rivets.

†Trademark of AT&T Intellectual Property

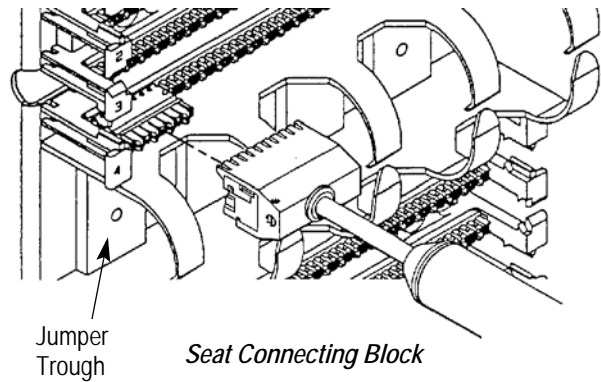


Figure 5

2.5. Final Installation

1. Mount the horizontal duct to the bottom of the frame with supplied hardware. See Figure 6.

2. Mark labels per recommendations of TIA/EIA 606 and insert into designation strips. Snap two designation strips into each 100 pair wiring block.

3. Jumper trough and backboard provide cable management and storage for patch cable assemblies.

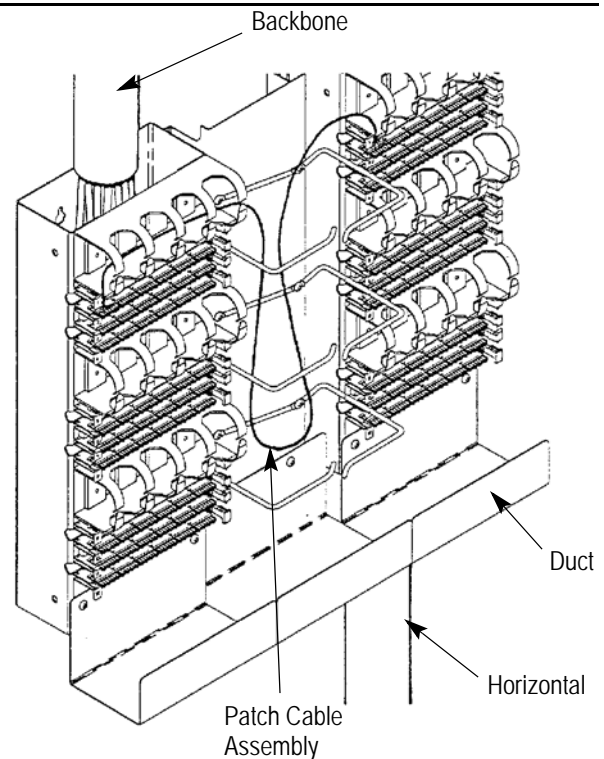


Figure 6

3. REVISION SUMMARY

Since the previous version of this document, the following changes were made:

- Corrected third party trademark reference.
- Updated document to corporate requirements.
- Rebranded to CommScope