

## Wall/Roof Feed-through Plates for Waveguides and Coaxial Cables

Bulletin 237571, Revision E page 1 of 2

POWERED BY



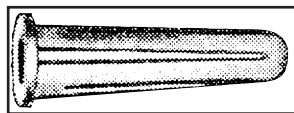
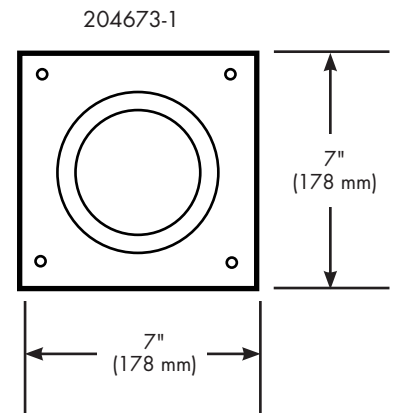
*CommScope Infrastructure Academy offers on-line installation training and certifications.*

### 4" (102 mm) Ports

Part #	Style	Wall Opening Size, in. (mm)		Overall Size, in. (mm)	
		Width	Height	Width	Height
204673-1	1X1	4" (102 mm)	4" (102 mm)	7" (178 mm)	7" (178 mm)
204673-2	1X1	4" (102 mm)	4" (102 mm)	5.5" (140 mm)	5.5" (140 mm)
204673-2A	1X2	10" (254 mm)	4" (102 mm)	15.5" (394 mm)	9.5" (241 mm)
204673-3	1X3	15" (381 mm)	4" (102 mm)	20" (508 mm)	9.5" (241 mm)
204673-4	1X4	20.5" (521 mm)	4" (102 mm)	25.5" (648 mm)	9.5" (241 mm)
204673-6	2X3	15" (381 mm)	9.5" (241 mm)	23" (584 mm)	17.5" (445 mm)
204673-8	2X4	20.5" (521 mm)	9.5" (241 mm)	25.5" (648 mm)	17.5" (445 mm)
204673-10	2X5	26" (660 mm)	9.5" (241 mm)	31" (787 mm)	17.5" (445 mm)
204673-12	3X4	20.5" (521 mm)	15" (381 mm)	25.5" (648 mm)	25.5" (648 mm)
204673-16	4X4	20.5" (521 mm)	20.5" (521 mm)	25.5" (648 mm)	25.5" (648 mm)
204673-18	3X6	31.5" (521 mm)	15" (381 mm)	39.5" (1003 mm)	25.5" (648 mm)
204673-20	4X5	26" (660 mm)	20.5" (521 mm)	31" (787 mm)	28.5" (724 mm)
204673-24	4X6	31.5" (521 mm)	20.5" (521 mm)	39.5" (1003 mm)	31" (787 mm)

### 5" (127 mm) Ports

Part #	Style	Wall Opening Size, in. (mm)		Overall Size, in. (mm)	
		Width	Height	Width	Height
48940-3	1X3	19" (483 mm)	5" (127 mm)	25.5" (648 mm)	9.5" (241 mm)
48940-8	2X4	26" (660 mm)	12" (305 mm)	33.5" (851 mm)	17.5" (445 mm)
48940-9	2X3	19" (483 mm)	19" (483 mm)	25.5" (648 mm)	25.5" (648 mm)



Plastic screw anchor for masonry, metal, or plastic wall:  
requires 5/16"x1-3/8" (8x35 mm) hole

La fijación de tornillos de plástico para paredes de ladrillos,  
metálicas o plásticas: requiere un orificio de 5/16"x1-3/8" (8x35 mm)

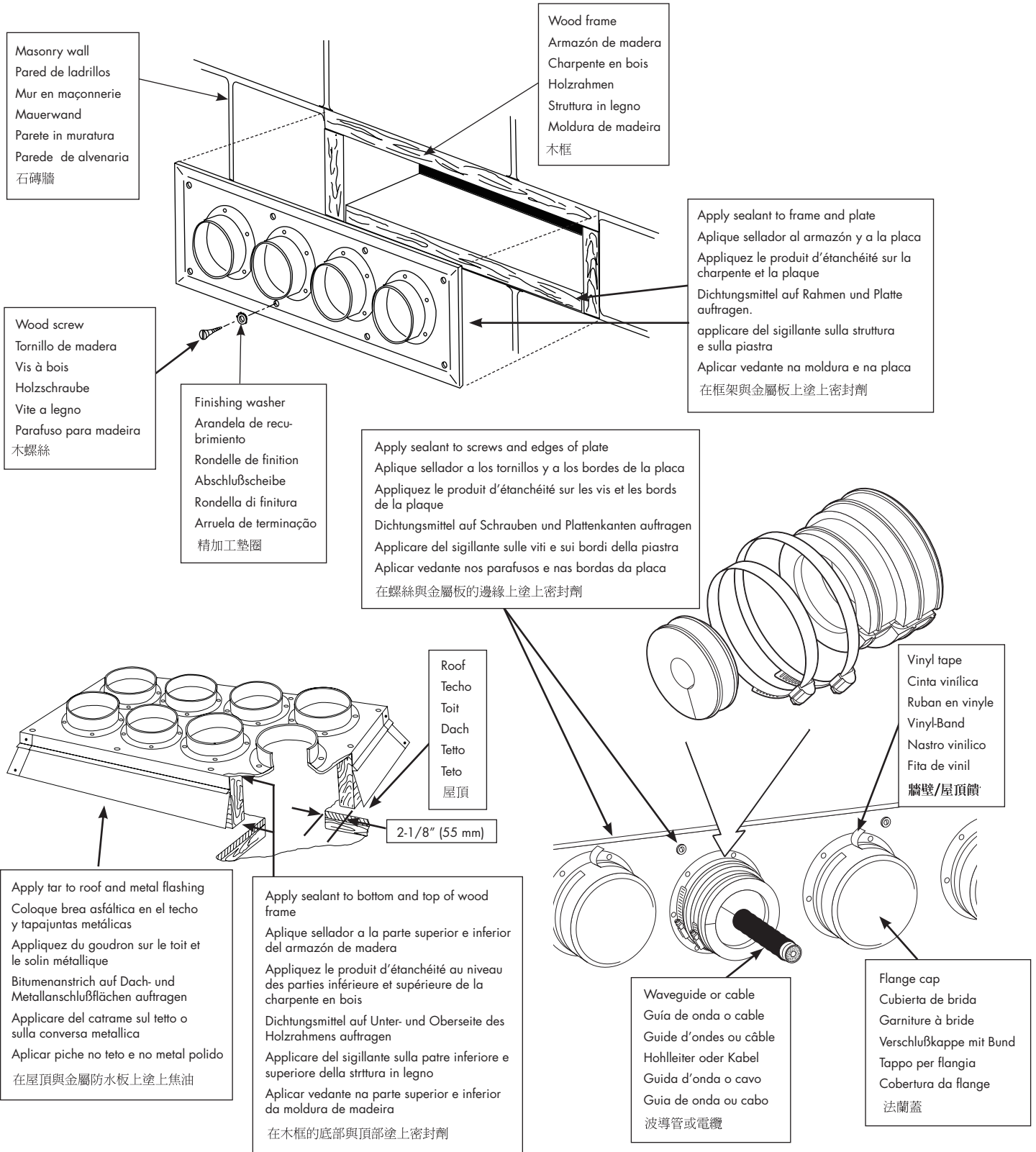
Cheville d'ancrage en plastique pour murs en maçonnerie, métal ou  
plastique : orifice de 5/16"x1-3/8" (8x35 mm) nécessaire

Kunststoffschraubenanker für Mauer-, Metall- oder Kunststoffwände:  
Bohrloch 8x35 erforderlich

Le viti di ancoraggio in plastica per pareti in muratura, metallo o  
plastica richiedono fori da 5/16"x1-3/8" (8x35 mm)

Parafuso plástico de ancoragem para paredes de alvenaria, plástico  
ou metal: requer um furo de 5/16"x1-3/8" (8x35 mm)

用於石磚、金屬或塑膠牆的塑膠螺形地錨：要求孔的大  
小為 5/16 英寸 x 1-3/8 英寸 (8 x 35 公釐)



**CommScope**

1100 CommScope Place SE P.O. Box 339, Hickory, NC 28603-0339  
(828) 324-2200 (800) 982-1708  
www.commscope.com/andrew

**Customer Service 24 hours**

North America: +1-800-255-1479 (toll free)  
Any country: +1-779-435-6500  
email: acicustomersupportcenter@commscope.com

Notice: CommScope disclaims any liability or responsibility for the results of improper or unsafe installation, inspection, maintenance, or removal practices.  
Aviso: CommScope no acepta ninguna obligación ni responsabilidad como resultado de prácticas incorrectas o peligrosas de instalación, inspección, mantenimiento o retiro.  
Avis: CommScope décline toute responsabilité pour les conséquences de procédures d'installation, d'inspection, d'entretien ou de retrait incorrectes ou dangereuses.  
Hinweis: CommScope lehnt jede Haftung oder Verantwortung für Schäden ab, die aufgrund unsachgemäßer Installation, Überprüfung, Wartung oder Demontage auftreten.  
Atenção: A CommScope abdica do direito de toda responsabilidade pelos resultados de práticas inadequadas e sem segurança de instalação, inspeção, manutenção ou remoção.  
Avvertenza: CommScope declina eventuali responsabilità derivanti dall'esecuzione di procedure di installazione, ispezione, manutenzione e smontaggio improprie o poco sicure.  
注意: CommScope 公司申明對於不恰當或不安全的安裝、檢驗、維修或拆卸操作所導致的後果不負責任 何義務和責任