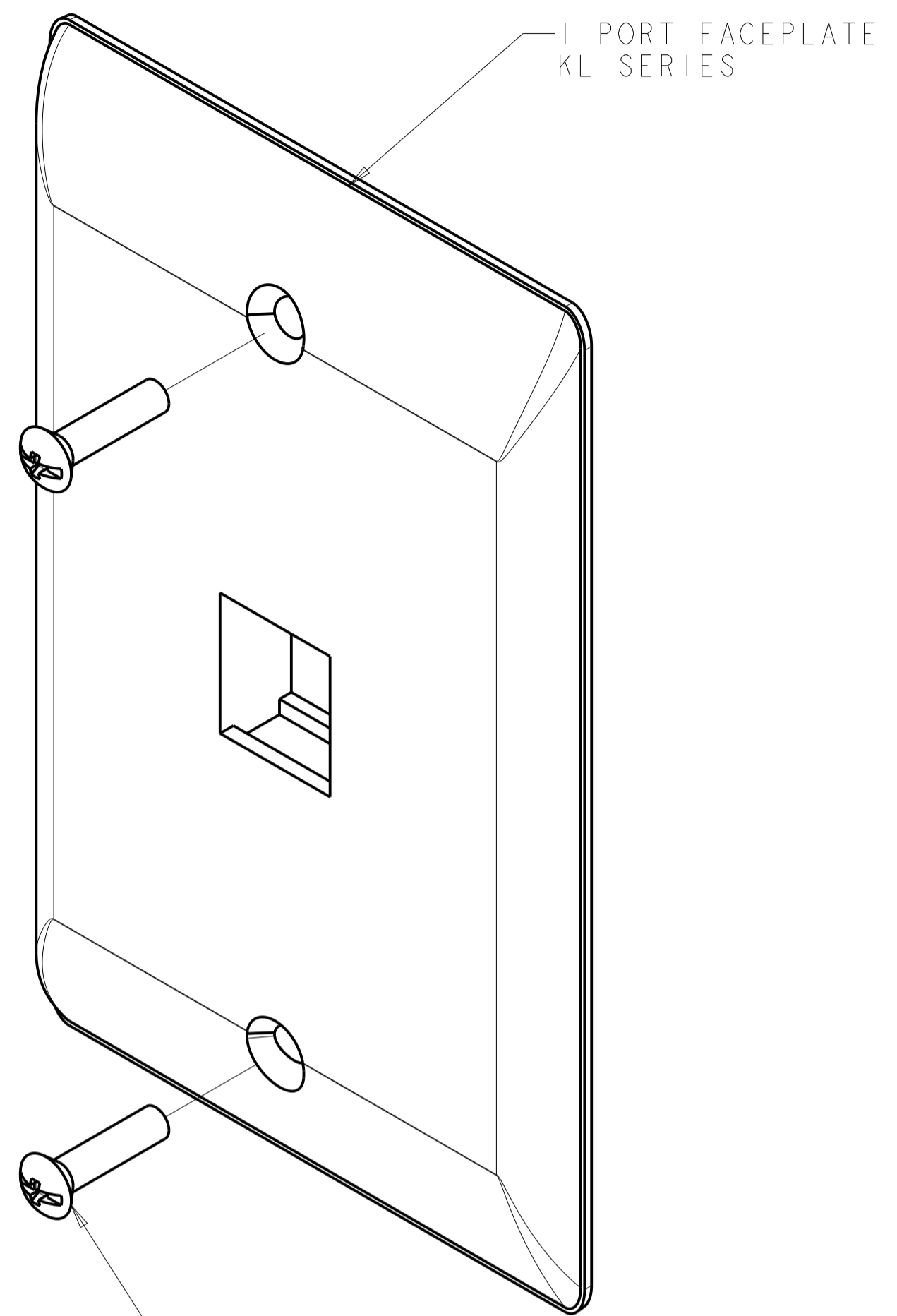
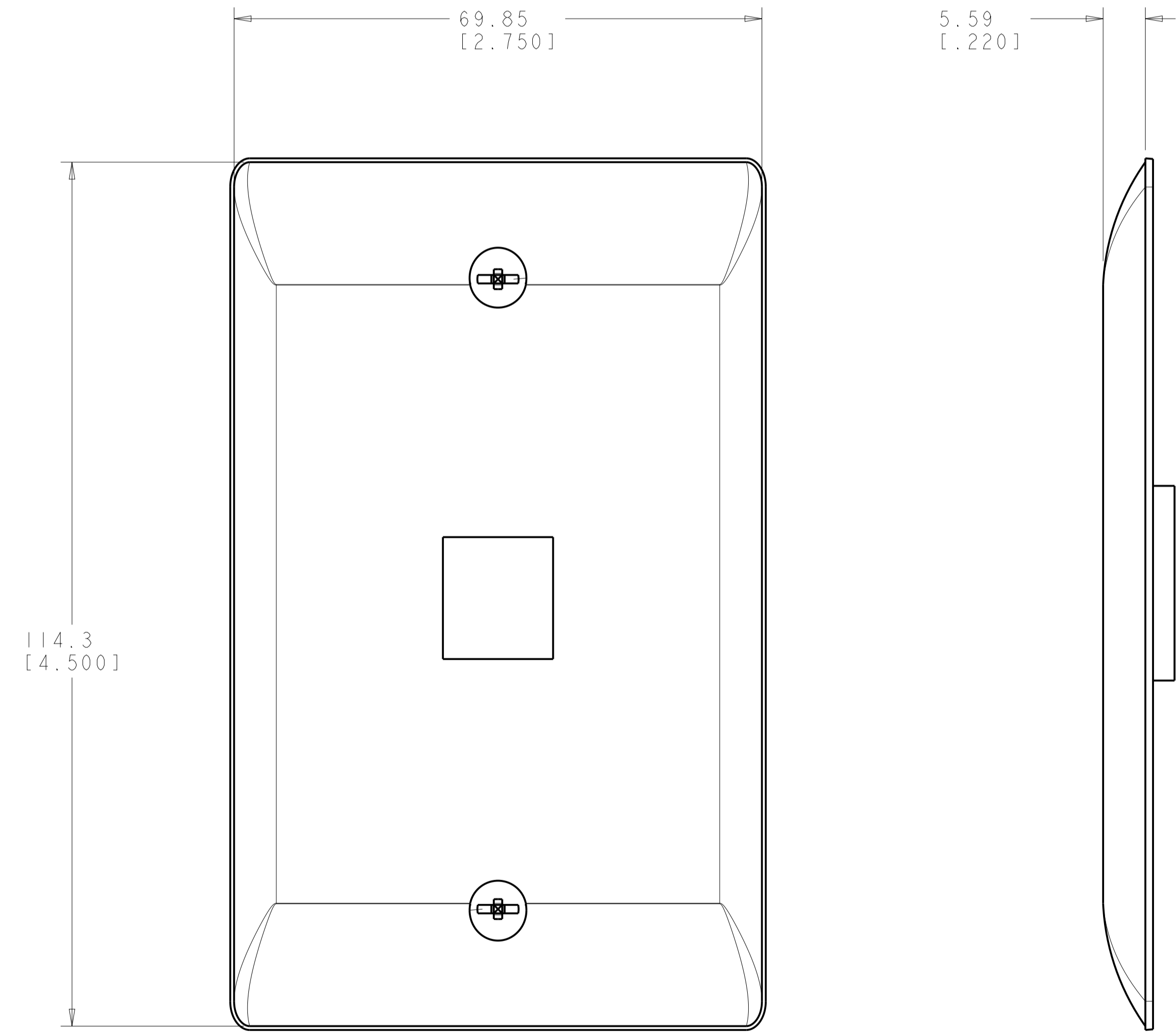


REVISIONS				
REV	LTN	DESCRIPTION	DATE	APP'D
A		RLSD; ECO-10-003803	09FEB2010	GG RA
B		REV; ECO-10-005392	10MAR2010	GG RA
C		REV PER BNS_CD_BRAND	01FEB2017	GG DC



6-32X.88 OVAL HEAD SCREW  
 QUANTITY 2

- ⚠ DIMENSIONS ARE NOMINAL UNLESS OTHERWISE SPECIFIED.
- ⚠ MATERIAL:  
 FACEPLATE - POLYCARBONATE MOLDING COMPOUND.  
 SEE TABLE FOR COLORS.  
 SCREWS - ZINC PLATED CARBON STEEL.
- 3. THIS KIT SHIPPED NOT ASSEMBLED.



ALPINE WHITE	1-2111049-3
ELECTRIC IVORY	1-2111049-1
NEMA GRAY	2111049-4
WHITE	2111049-3
BLACK	2111049-2
LIGHT ALMOND	2111049-1
COLOR	PART NUMBER

THIS DRAWING IS A CONTROLLED DOCUMENT.		DWN G. GARRETT 31MAR2009	COMMSCOPE, INC.	
DIMENSIONS: MM [INCHES]		CHK R. ASHBY 31MAR2009	NAME KIT, FACEPLATE, RESIDENTIAL, SINGLE GANG, 1 PORT, KL SERIES	
TOLERANCES UNLESS OTHERWISE SPECIFIED:		APP'D P. ASHBY 31MAR2009	RESTRICTED TO	
0 PLC ±	1 PLC ±	PRODUCT SPEC	SIZE	CAGE CODE
2 PLC ±	3 PLC ±	APPLICATION SPEC	A1	2111049
4 PLC ±	ANGLES ±	WEIGHT	SCALE	SHEET
FINISH	FINISH	CUSTOMER DRAWING	2:1	1 OF 1