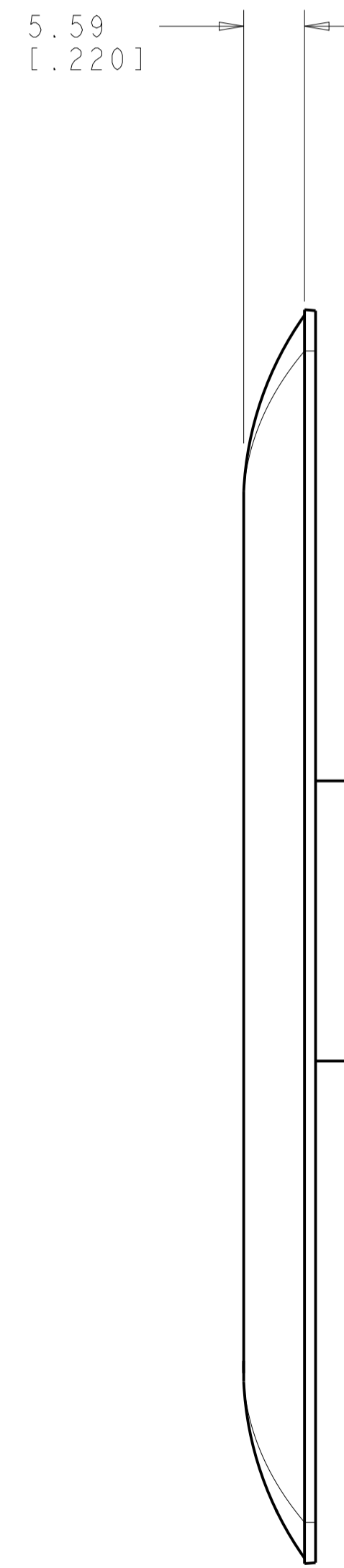
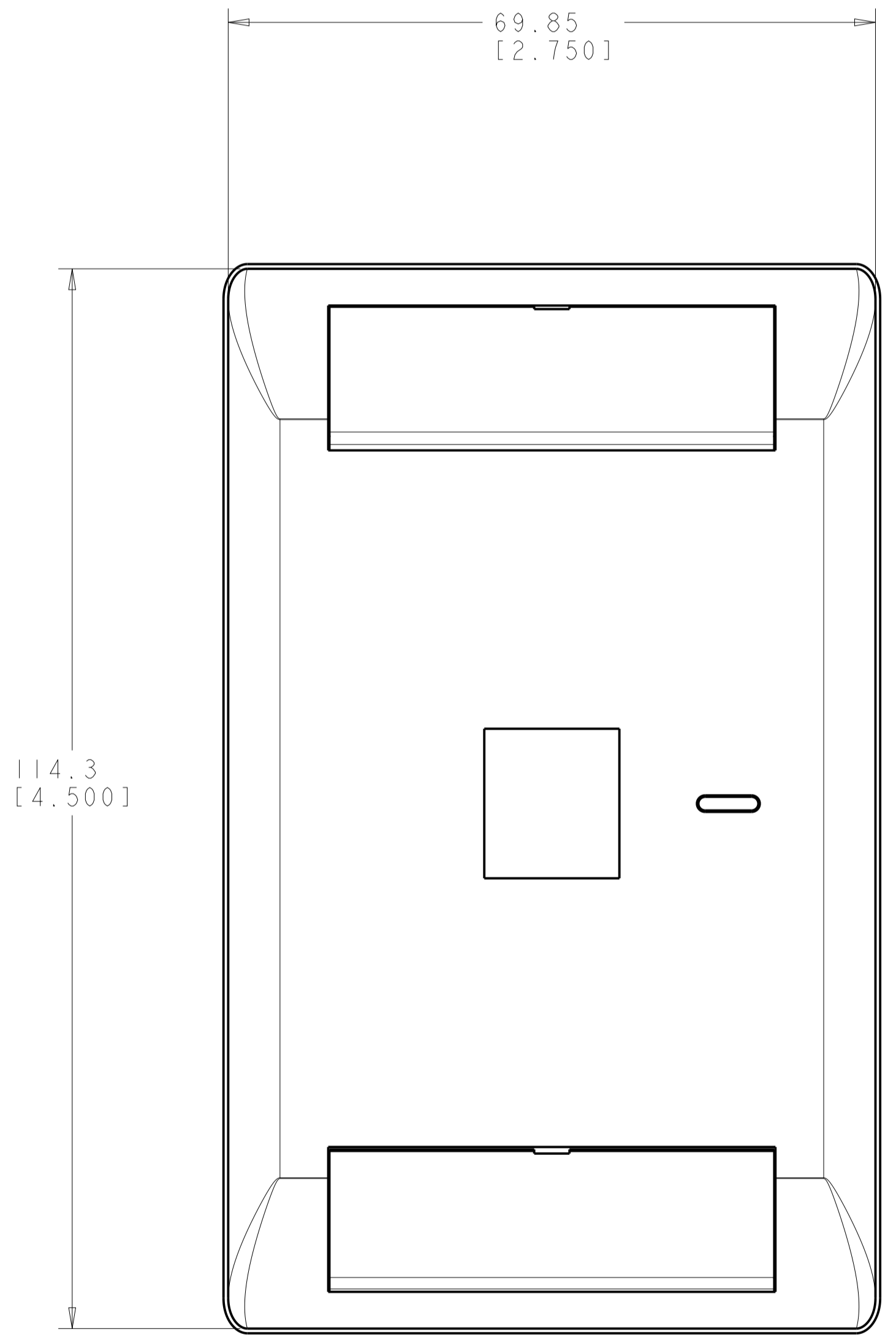
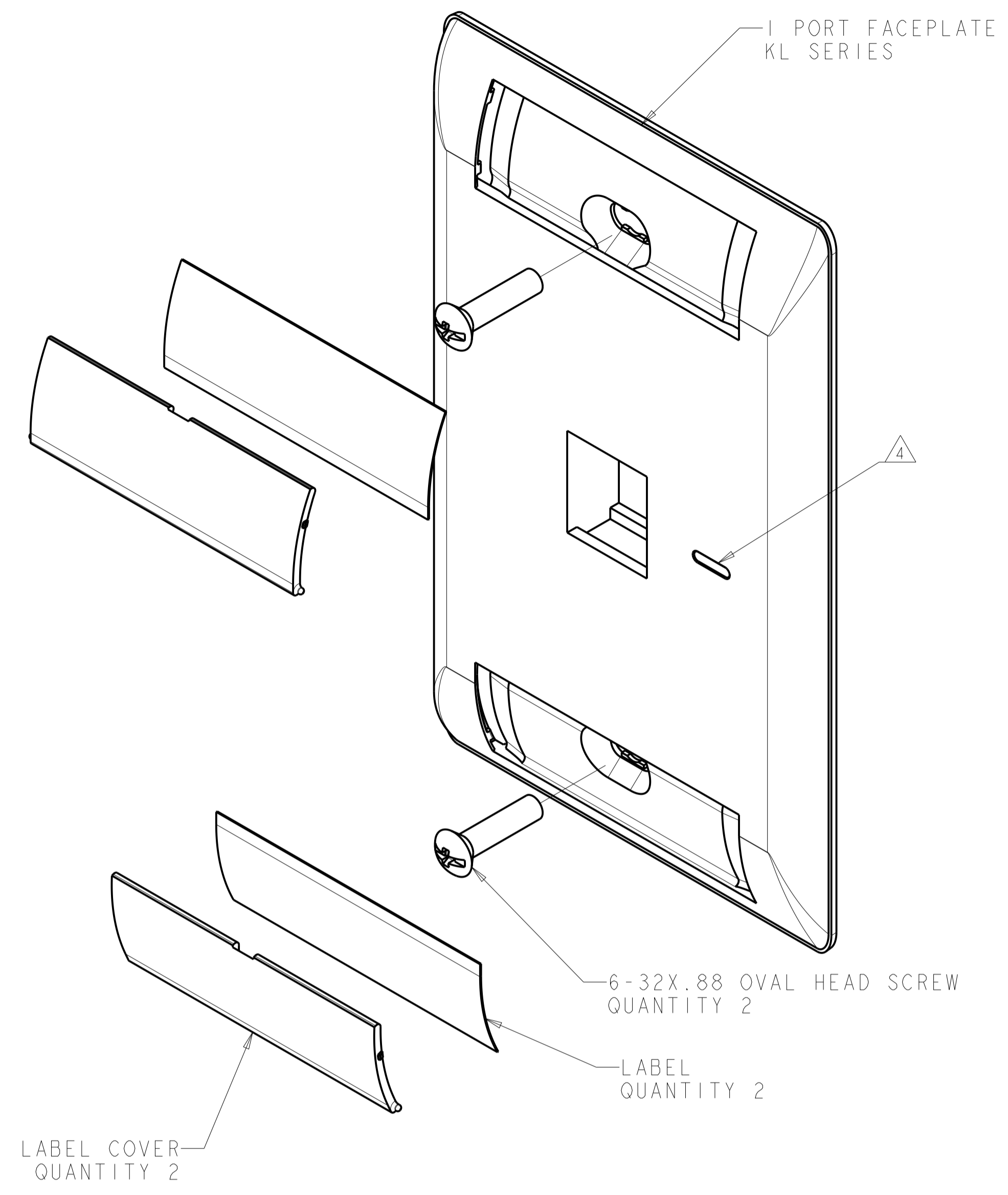


REVISIONS				
REV	LTN	DESCRIPTION	DATE	APP'D
A		RLSD; ECO-10-003803	09FEB2010	GG RA
B		REV; ECO-10-005392	10MAR2010	GG RA
C		REV PER BNS_CD_BRAND	01FEB2017	GG DC



- △ DIMENSIONS ARE NOMINAL UNLESS OTHERWISE SPECIFIED.
- △ MATERIAL:
FACEPLATE - POLYCARBONATE MOLDING COMPOUND. SEE TABLE FOR COLORS.
SCREWS - ZINC PLATED CARBON STEEL.
LABEL COVER - POLYCARBONATE MOLDING COMPOUND, CLEAR.
LABEL - WHITE INDEX PAPER.
- 3. THIS KIT SHIPPED NOT ASSEMBLED.
- △ MOLD OVER ICON FEATURE.

ALPINE WHITE	1-2111036-3
ELECTRIC IVORY	1-2111036-1
NEMA GRAY	2111036-4
WHITE	2111036-3
BLACK	2111036-2
LIGHT ALMOND	2111036-1
COLOR	PART NUMBER

THIS DRAWING IS A CONTROLLED DOCUMENT.		OWN: G. GARRETT 31MAR2009	COMMSCOPE, INC.	
DIMENSIONS: MM [INCHES]		CHK: R. ASHBY 31MAR2009	KIT, FACEPLATE, COMMERCIAL, SINGLE GANG, 1 PORT, KL SERIES	
TOLERANCES UNLESS OTHERWISE SPECIFIED:		APVD: P. ASHBY 31MAR2009	NAME	
0 PLC ±	△	PRODUCT SPEC	SIZE CAGE CODE DRAWING NO RESTRICTED TO	
1 PLC ±	△	APPLICATION SPEC	A1 C=2111036	
2 PLC ±	△	WEIGHT	SCALE 2:1 SHEET 1 OF 1 REV C	
3 PLC ±	△	CUSTOMER DRAWING		
4 PLC ±	△			
ANGLES ±	△			
MATERIAL	△			
FINISH	△			