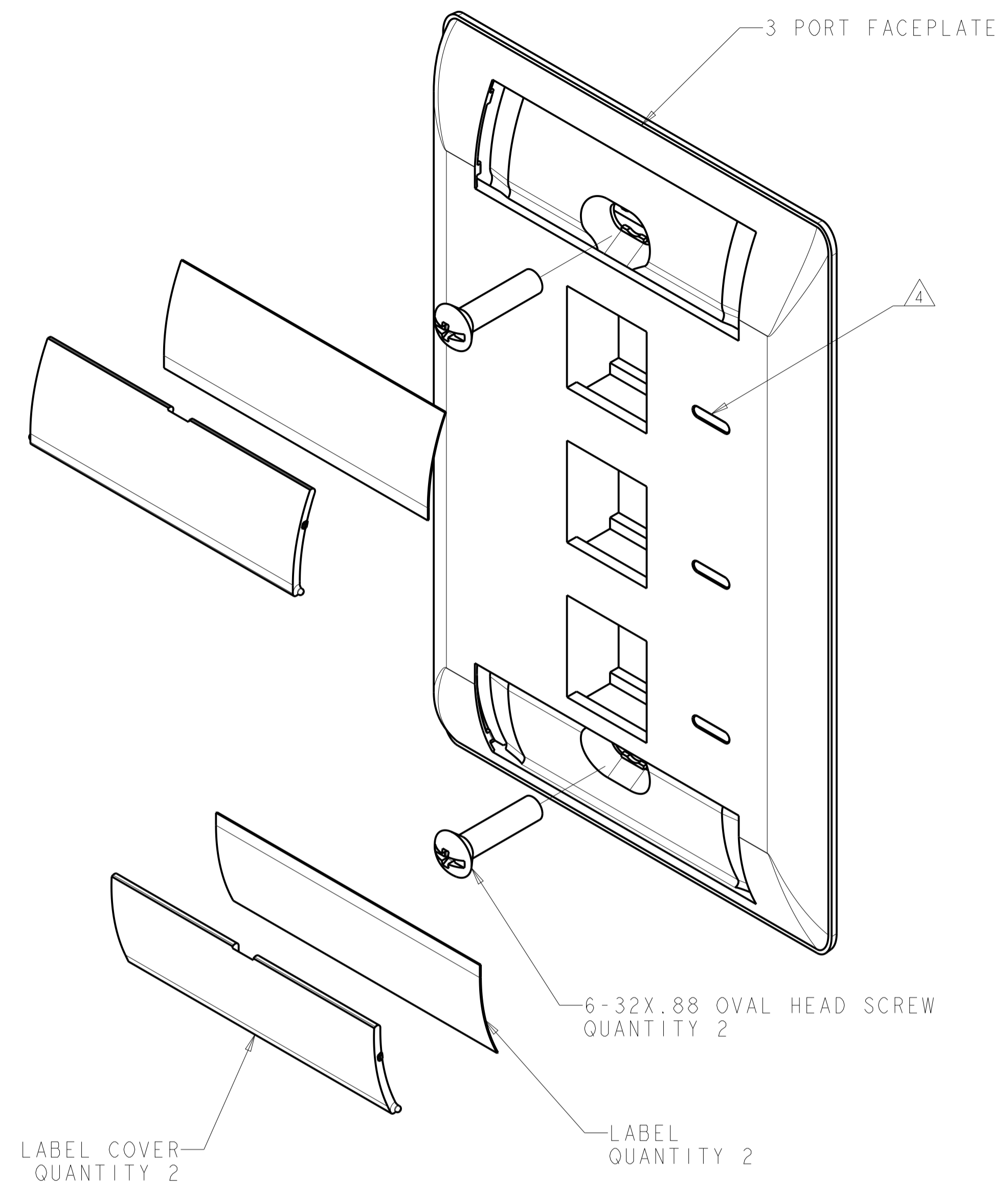
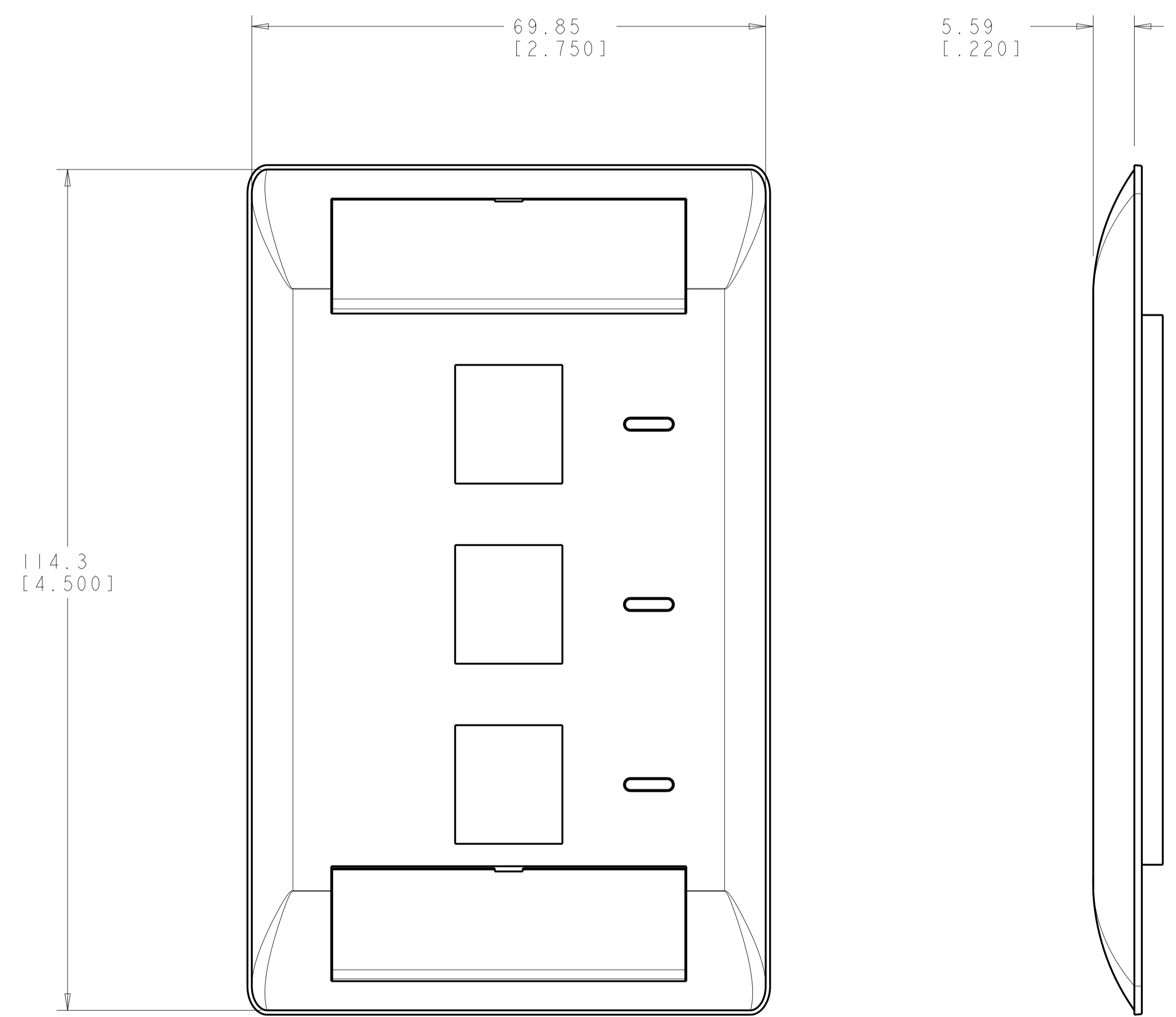


REVISIONS				
REV	LTN	DESCRIPTION	DATE	APP'D
A		RLSD; ECO-10-002954	09FEB2010	GG RA
B		REV; 40026397MCO	11NOV2015	GG LS
C		REV PER BNS_CD_BRAND	01FEB2017	GG DC



- ⚠ DIMENSIONS ARE NOMINAL UNLESS OTHERWISE SPECIFIED.
- ⚠ MATERIAL:
FACEPLATE - POLYCARBONATE MOLDING COMPOUND. SEE TABLE FOR COLORS.
SCREWS - ZINC PLATED CARBON STEEL.
LABEL COVER - POLYCARBONATE MOLDING COMPOUND, CLEAR.
LABEL - WHITE INDEX PAPER.
- 3. THIS KIT SHIPPED NOT ASSEMBLED.
- ⚠ MOLD OVER ICON FEATURE.



ALPINE WHITE	1-2111010-3
ELECTRIC IVORY	1-2111010-1
NEMA GRAY	2111010-4
BLACK	2111010-2
LIGHT ALMOND	2111010-1
COLOR	PART NUMBER

THIS DRAWING IS A CONTROLLED DOCUMENT.		OWN G. GARRETT 31MAR2009	COMMSCOPE, INC.	
		CHK R. ASHBY 31MAR2009		
DIMENSIONS: MM [INCHES]		APVD P. ASHBY 31MAR2009	NAME KIT, FACEPLATE, COMMERCIAL, SINGLE GANG, 3 PORT	
TOLERANCES UNLESS OTHERWISE SPECIFIED:		PRODUCT SPEC	SIZE CAGE CODE DRAWING NO	
0 PLC	±	APPLICATION SPEC	RESTRICTED TO	
1 PLC	±		A1	
2 PLC	±		C=2111010	
3 PLC	±		SCALE 2:1 SHEET 1 OF 1 REV C	
4 PLC	±			
ANGLES	±			
MATERIAL		WEIGHT		
		Customer Drawing		