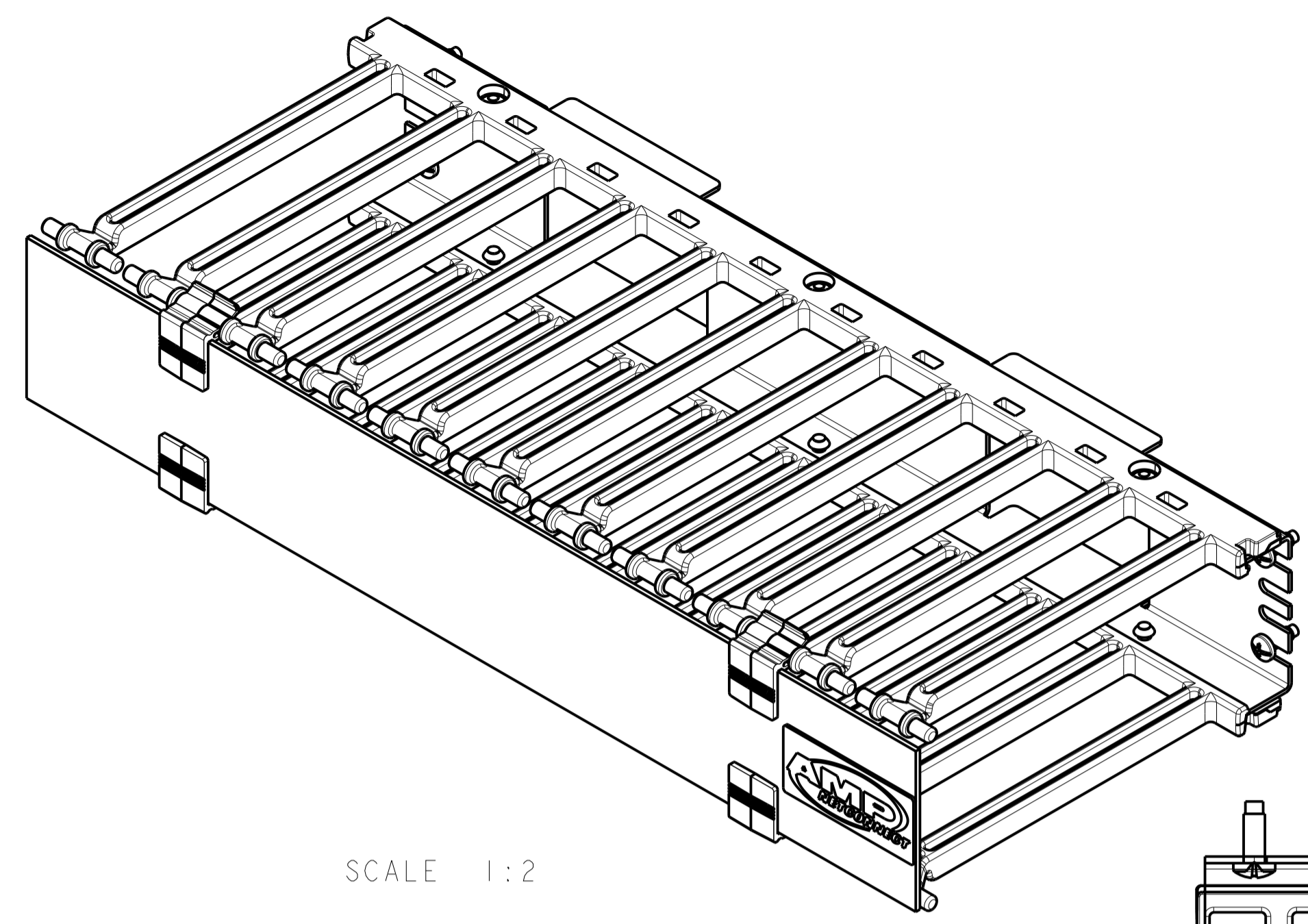


REVISIONS				
REV	LTN	DESCRIPTION	DATE	APP'D
A		RLSD; NSD07-114	14DEC2007	GG SH
B		REV: ECO-08-013669	06JUN2008	GG SH
C		REV PER BNS_CD_BRAND	01FEB2017	GG DC

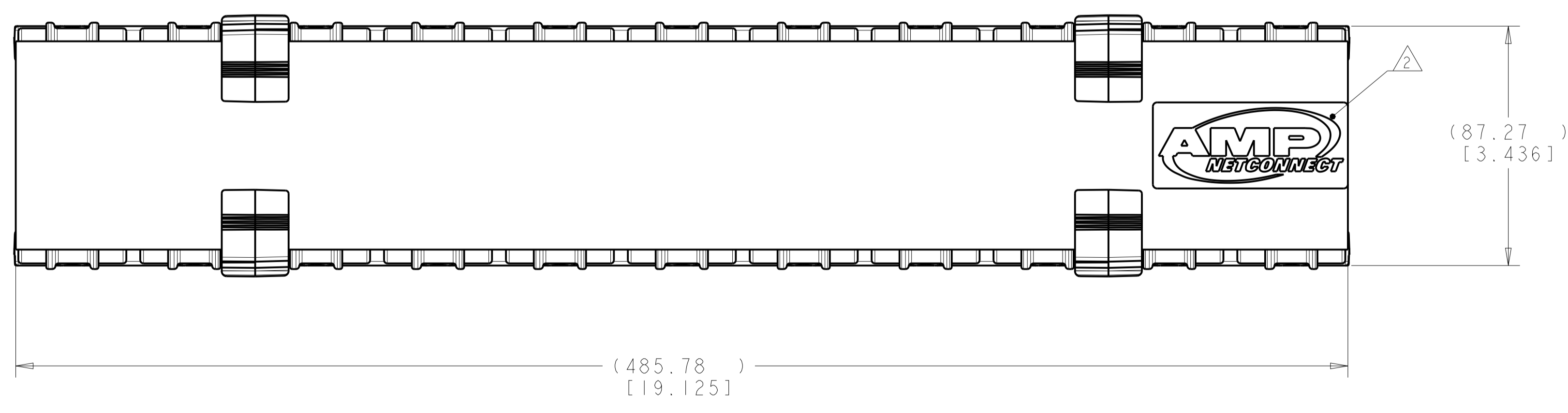
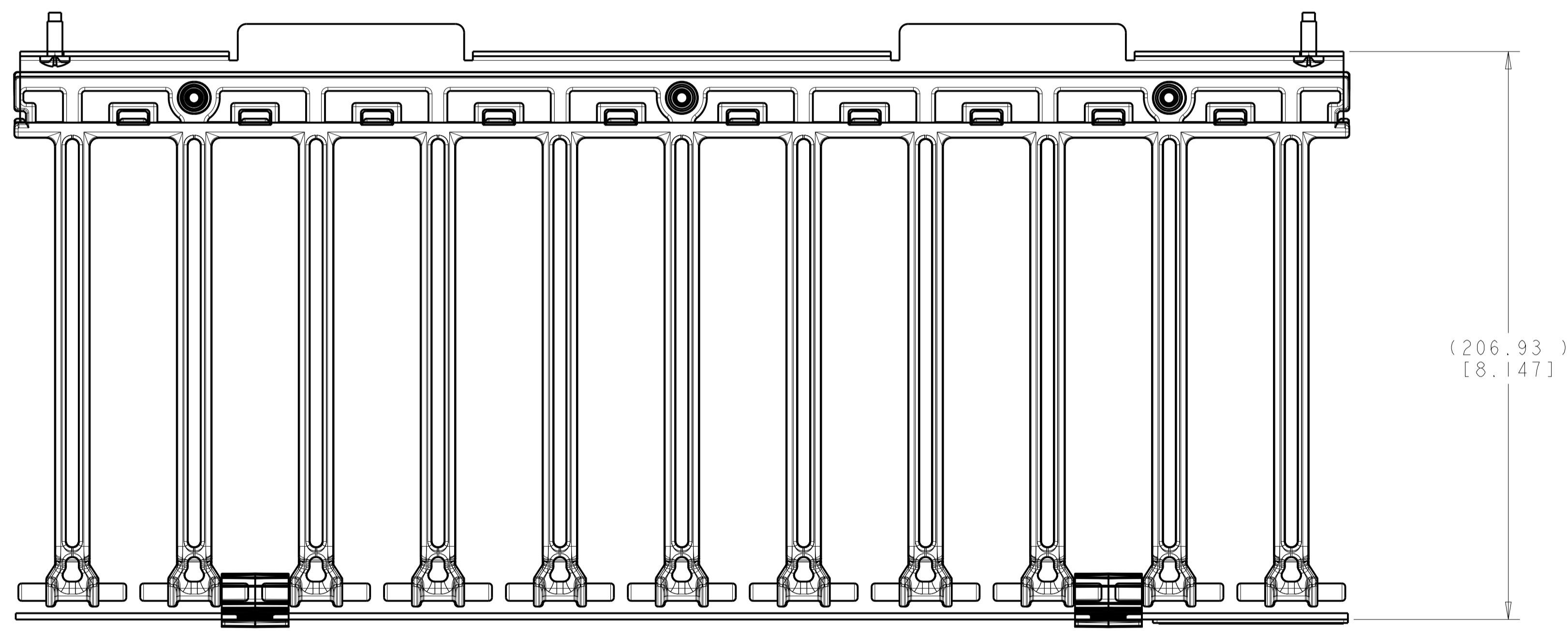


SCALE 1:2

△ MATERIAL:  
 FINGER SECTIONS - UL 94V-0 POLYCARBONATE, BLACK.  
 CABLE MANAGER COVERS - (2.29) [.090] 5052-H32 ALUMINUM.  
 SPACERS/BRACKETS - 14 GA. CARBON STEEL.

FINISH:  
 SPACERS, BRACKETS AND CABLE MANAGER COVERS -  
 POLYESTER POWDERCOATING, FLAT BLACK, 1F59126.

△ 2 AMP NECONNECT LOGO SHALL BE WHITE  
 LETTERING ON BLACK COLORED BACKGROUND,  
 RAISED BUBBLE TYPE ADHESIVE EMBLEM.  
 PRINT LOGO, AS SHOWN, DOES NOT REFLECT  
 TRUE BLACK BACKGROUND.



1933566-1  
PART NUMBER

THIS DRAWING IS A CONTROLLED DOCUMENT.		DWN G. GARRETT 14DEC2007	COMMSCOPE, INC.	
DIMENSIONS: (MM) [INCHES]		CHK S. HERNDON 14DEC2007	NAME HORIZONTAL 2U, SINGLE SIDED, EXTENDED FINGERS	
TOLERANCES UNLESS OTHERWISE SPECIFIED:		APP'D S. HERNDON 14DEC2007	SIZE A1	
0 PLC ±	1 PLC ±	PRODUCT SPEC	RESTRICTED TO	
2 PLC ±	3 PLC ±	APPLICATION SPEC	C=1933566	
4 PLC ±	ANGLES ±	WEIGHT	SCALE 3:4 SHEET 1 OF 1 REV C	
MATERIAL	FINISH	CUSTOMER DRAWING		