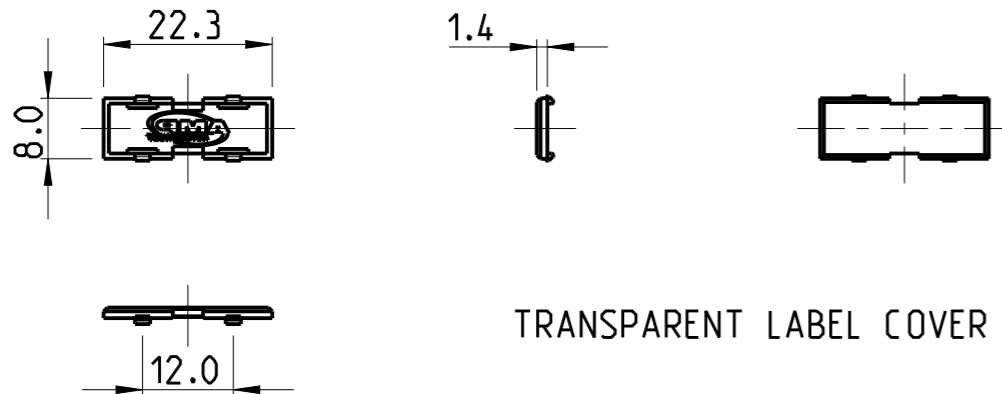


THIS DRAWING IS UNPUBLISHED  
 RELEASED FOR PUBLICATION  
 © 2016 COMMSCOPE, INC. CONFIDENTIAL  
 NOTICE: THESE DRAWINGS AND SPECIFICATIONS ARE THE PROPRIETARY PROPERTY OF COMMSCOPE, INC. AND MAY BE USED ONLY FOR THE SPECIFIC PURPOSE AUTHORIZED IN WRITING BY COMMSCOPE, INC.

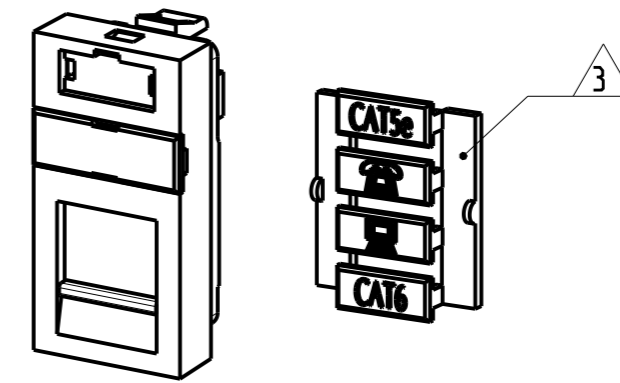
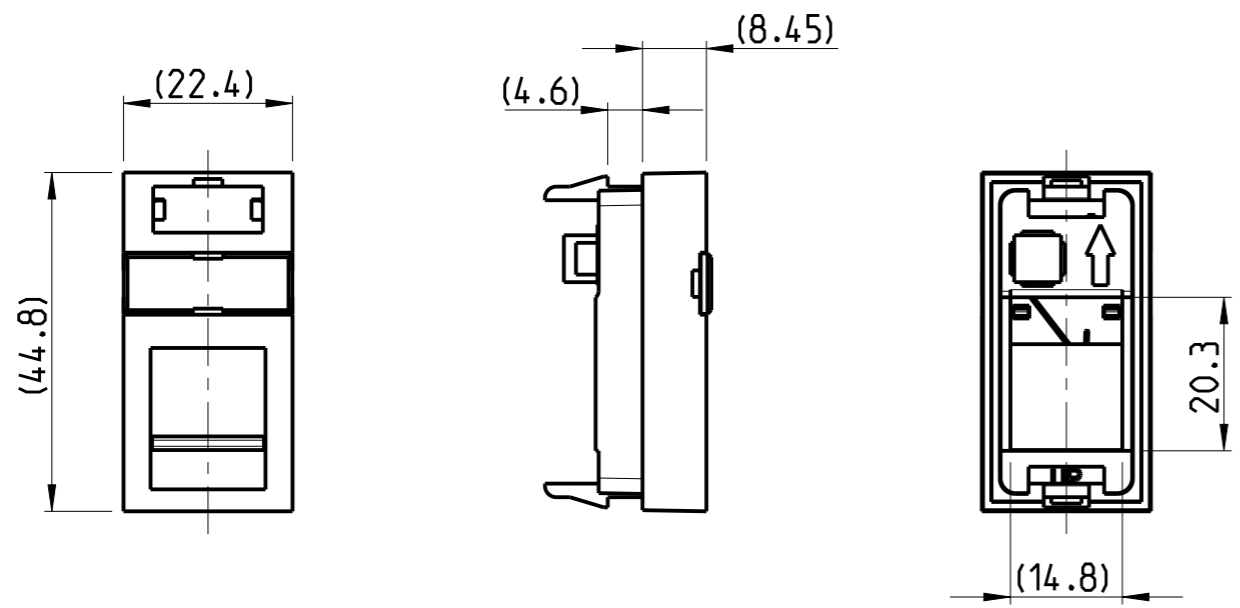
REVISIONS					
P	LTR	DESCRIPTION	DATE	DWN	APVD
	A1	NAME UPDATED	03OCT2008	AC	JS
	B	SEE ECR-08-007911	10APR2008	LC	JS
	C	REV PER BNS_CD_BRAND	02FEB2017	GG	DC



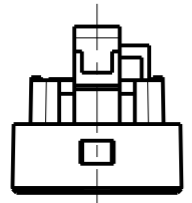
1. PRODUCT DESCRIPTION:  
 UNLOADED 45x22.5 SNAP IN MODULE

2 MATERIAL: PC/ABS

3 PRODUCT INCLUDES TWO ICON STRIPS  
 (IN BLUE AND RED) WITH:  
 - CAT5e  
 - PICTOGRAM OF PHONE  
 - PICTOGRAM OF COMPUTER  
 - CAT6



WHITE, RAL 9010	1711349-1
COLOUR	PART NUMBER



THIS DRAWING IS A CONTROLLED DOCUMENT.		DWN L. COBACHO 15 JUN 2005	<b>COMMSCOPE, INC.</b>															
DIMENSIONS: mm		CHK A. CARRERAS 15 JUN 2005			NAME UNLOADED 45x22.5 SNAP IN MODULE													
TOLERANCES UNLESS OTHERWISE SPECIFIED:		APVD J. SANABRA 15 JUN 2005																
<table border="1"> <tr> <td>0 PLC</td> <td>±0.1</td> </tr> <tr> <td>1 PLC</td> <td>±0.1</td> </tr> <tr> <td>2 PLC</td> <td>±0.1</td> </tr> <tr> <td>3 PLC</td> <td>±0.1</td> </tr> <tr> <td>4 PLC</td> <td>±0.1</td> </tr> <tr> <td>ANGLES</td> <td>±</td> </tr> </table>		0 PLC	±0.1	1 PLC	±0.1	2 PLC	±0.1	3 PLC	±0.1	4 PLC	±0.1	ANGLES	±	PRODUCT SPEC -	SIZE A3	CAGE CODE -	DRAWING NO C-1711349	RESTRICTED TO -
0 PLC	±0.1																	
1 PLC	±0.1																	
2 PLC	±0.1																	
3 PLC	±0.1																	
4 PLC	±0.1																	
ANGLES	±																	
MATERIAL 2		FINISH -	WEIGHT -	SCALE 1:1		SHEET 1 OF 1	REV C											