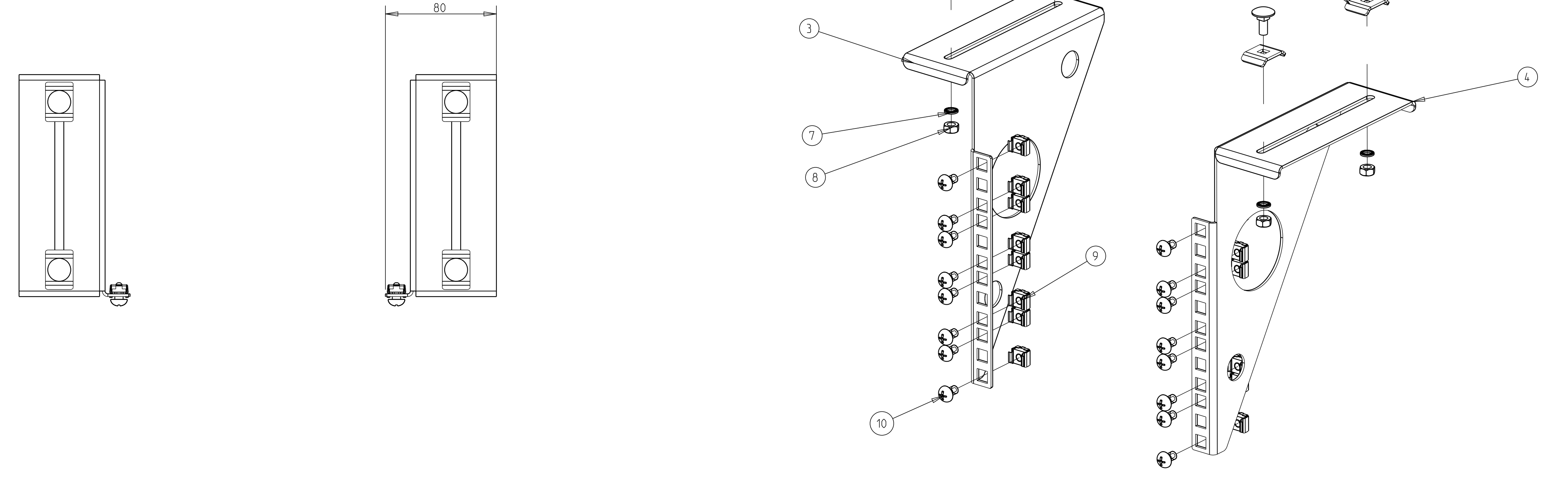
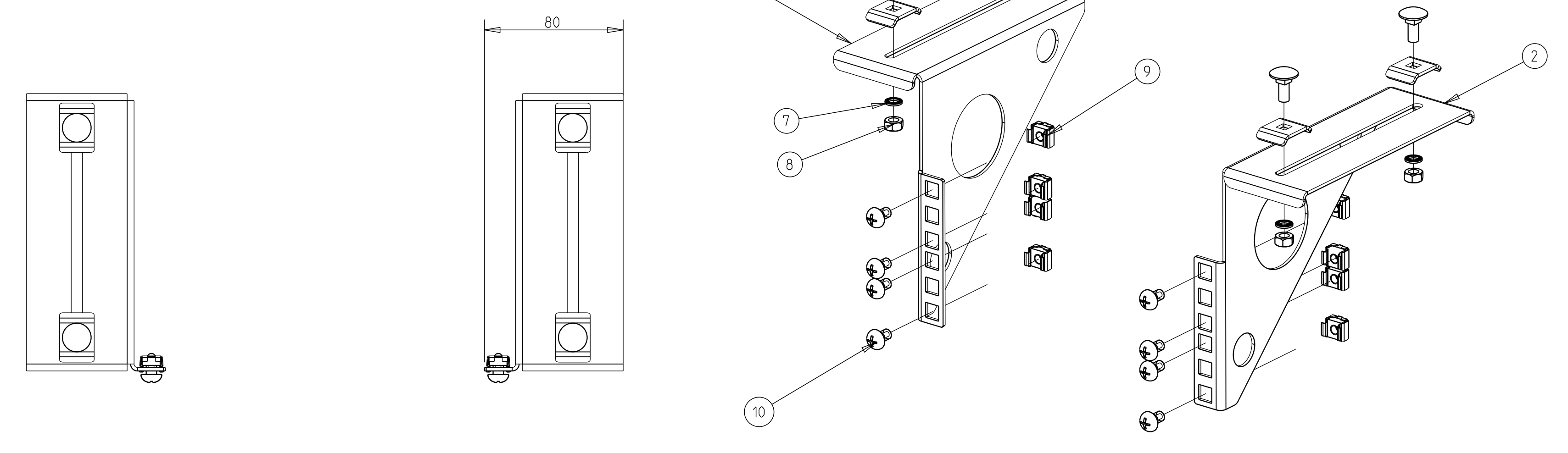
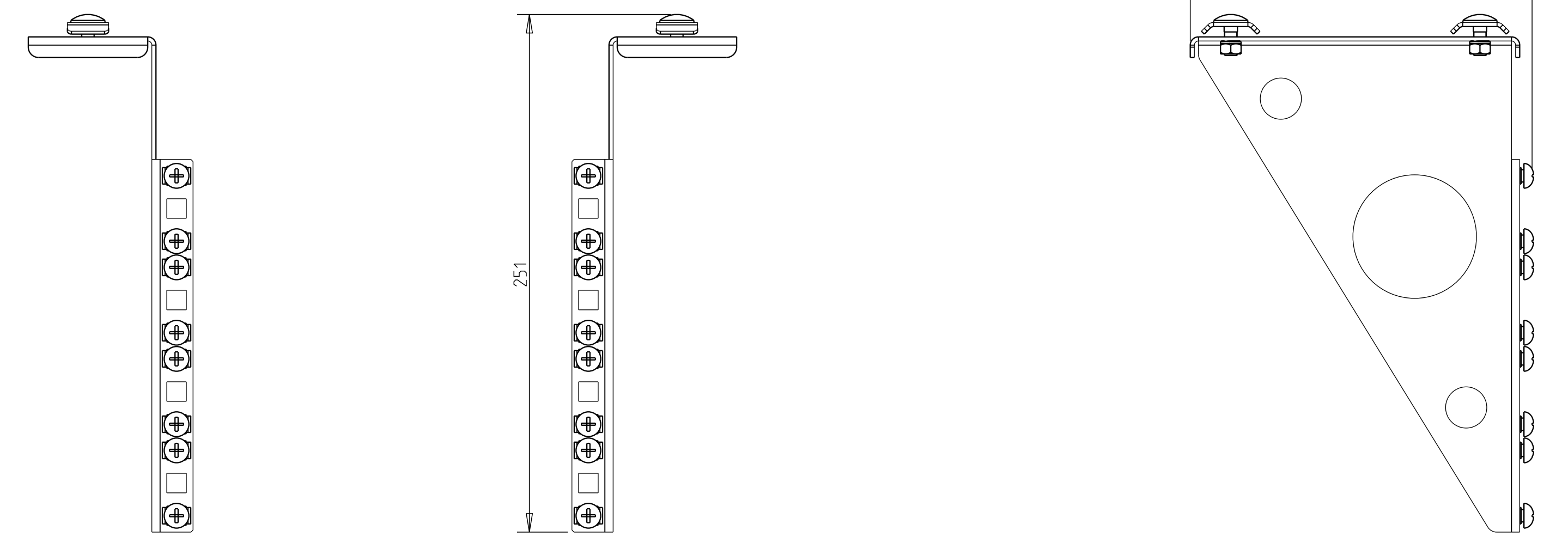
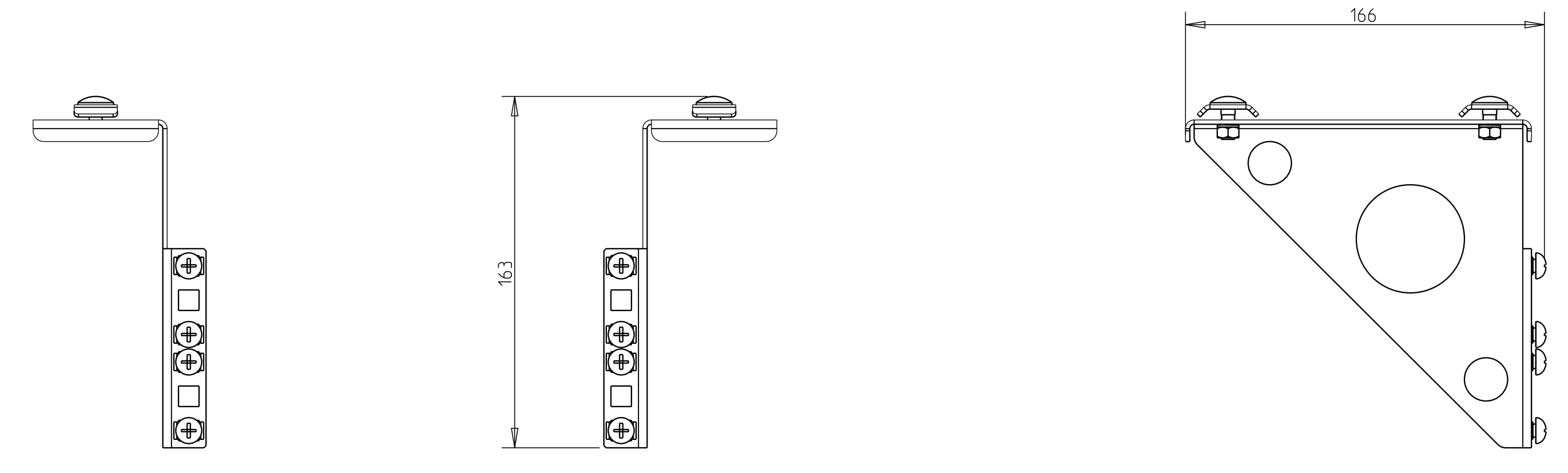


1-1671603-1
Part N°

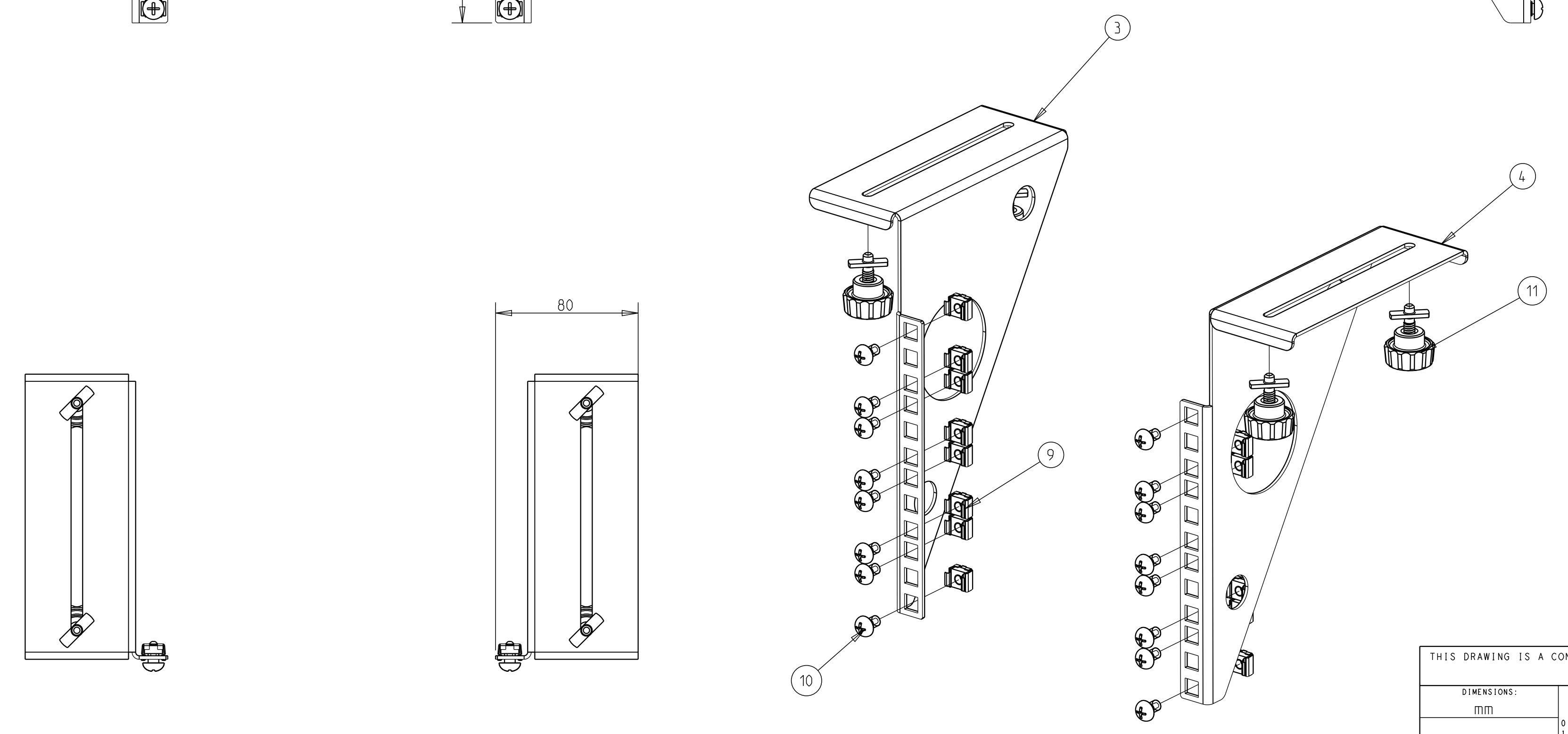
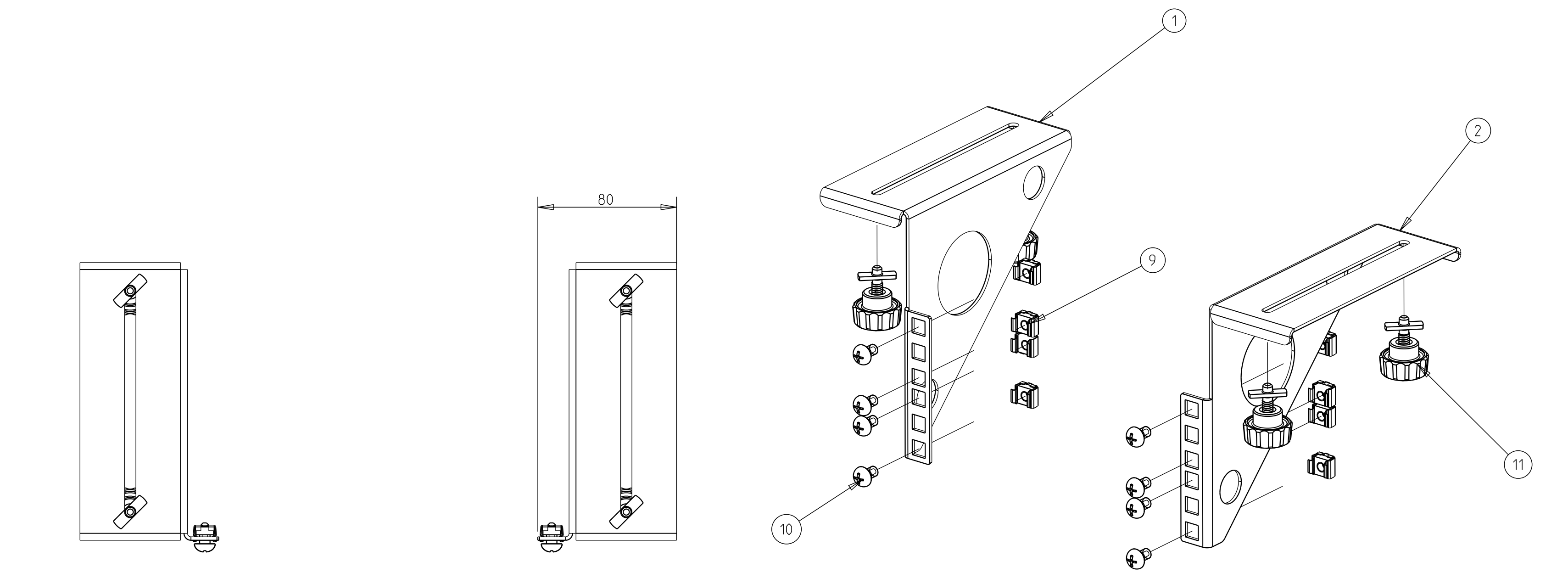
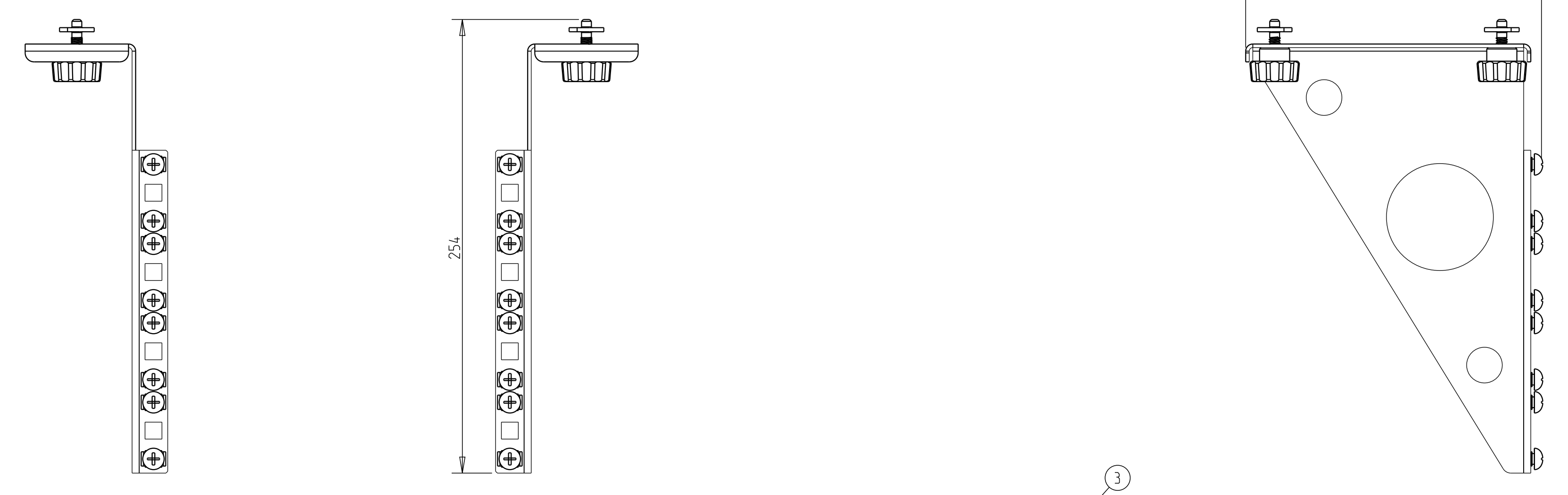
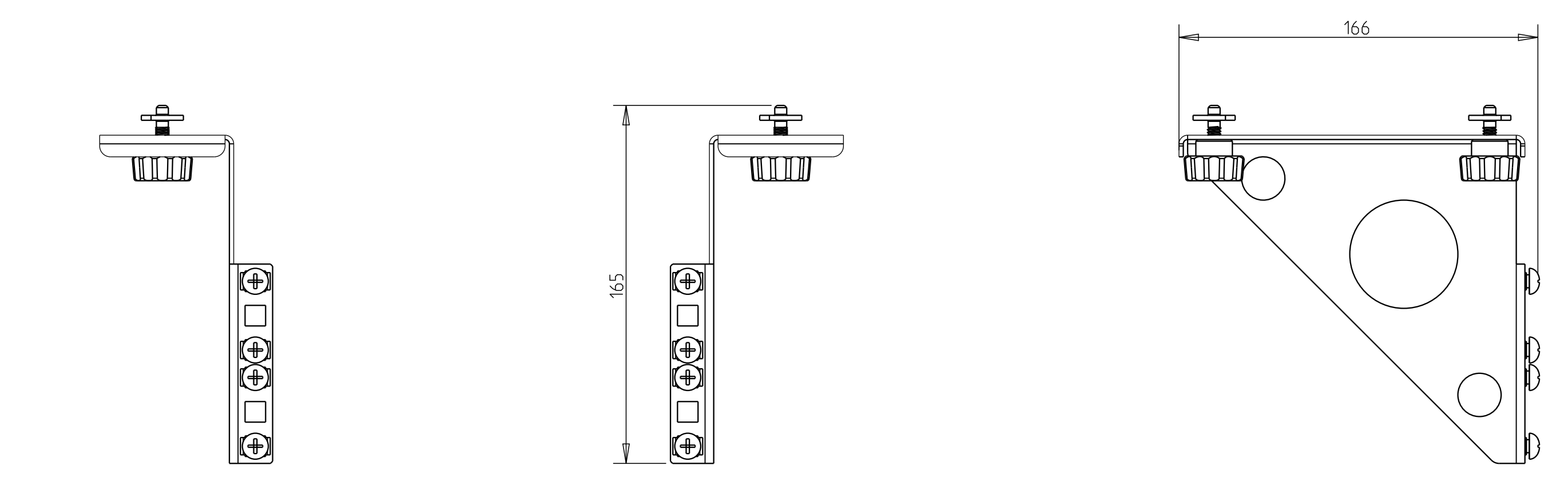
1-1671603-2
Part N°

REV	DATE	DESCRIPTION	BY	APPD
A1	-	-	-	-
B	28FEB2013	ECR-13-002799	ADV	HB
C	11JAN2017	ECN 8000018048 REBRANDING	RER	SC



1-1671603-3
Part N°

1-1671603-4
Part N°



QTY	DESCRIPTION	ITEM
4	Quick Knob With T-bolt	11
16	8 M6x12. Pan Head. Cross. Zinc Plated	10
16	8 Cage nut M6. 13.2x13.5. 1.7-2.7	9
-	4 Nuf M6	8
-	4 SCHNORR Locking Disk Spring M6	7
-	4 M6x10x16. rth. sn. 4.6 steel. zn ct	6
-	4 Xtra-U Locking Item APH for WMC1	5
1	1 4HU Xtra-U Aerial Holder Right	4
1	1 4HU Xtra-U Aerial Holder Left	3
1	1 2HU Xtra-U Aerial Holder Right	2
1	1 2HU Xtra-U Aerial Holder Left	1

THIS DRAWING IS A CONTROLLED DOCUMENT. DATE: 28FEB2013
 DIMENSIONS: INCH () / METRIC ()
 TITLE: Xtra-U Aerial Holder Kit
 DRAWING NO: 1671603
 CUSTOMER DRAWING

COMMSCOPE, INC.
 Xtra-U Aerial Holder Kit
 SIZE: A0
 SHEET: 1 OF 1
 REV: C